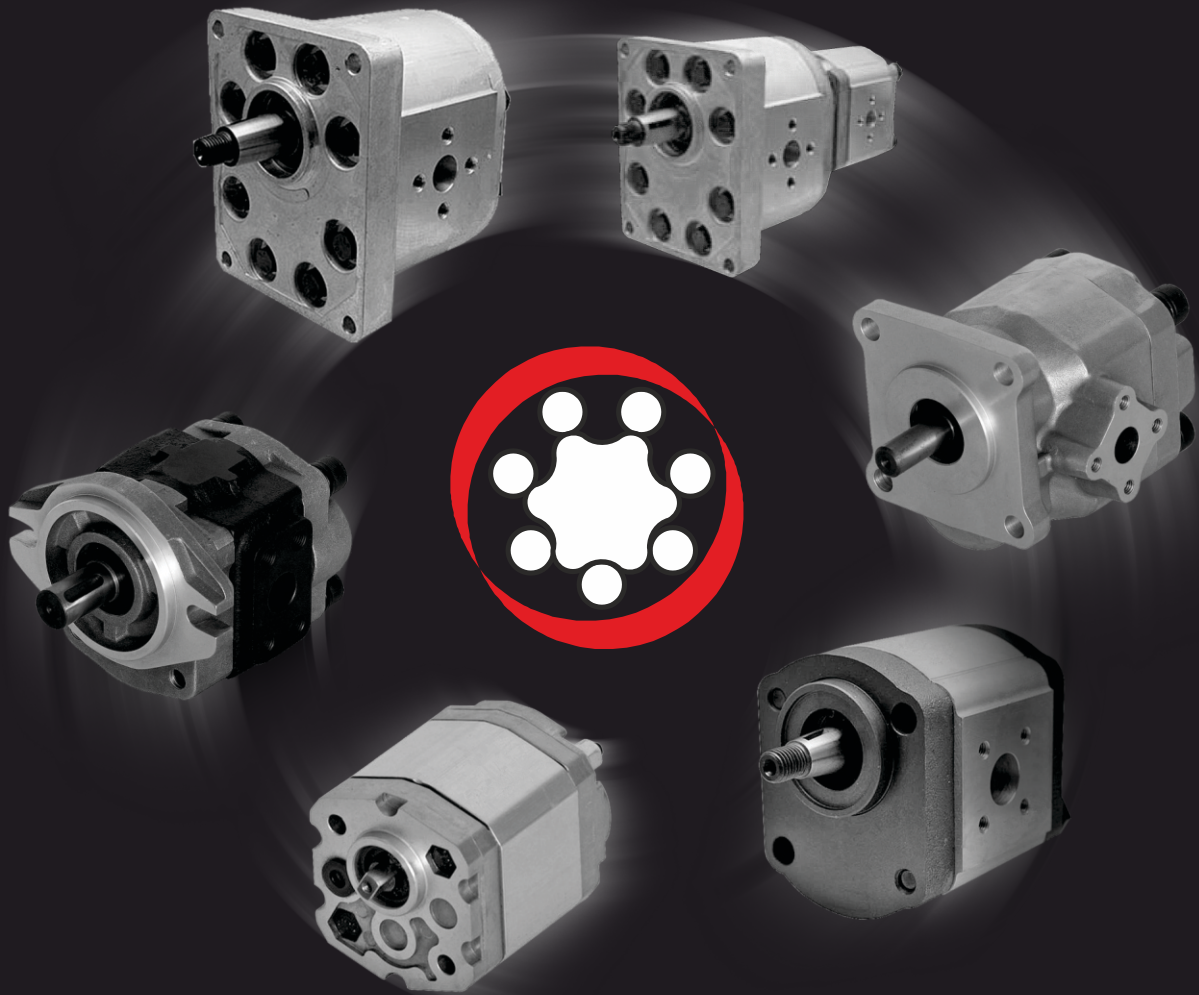


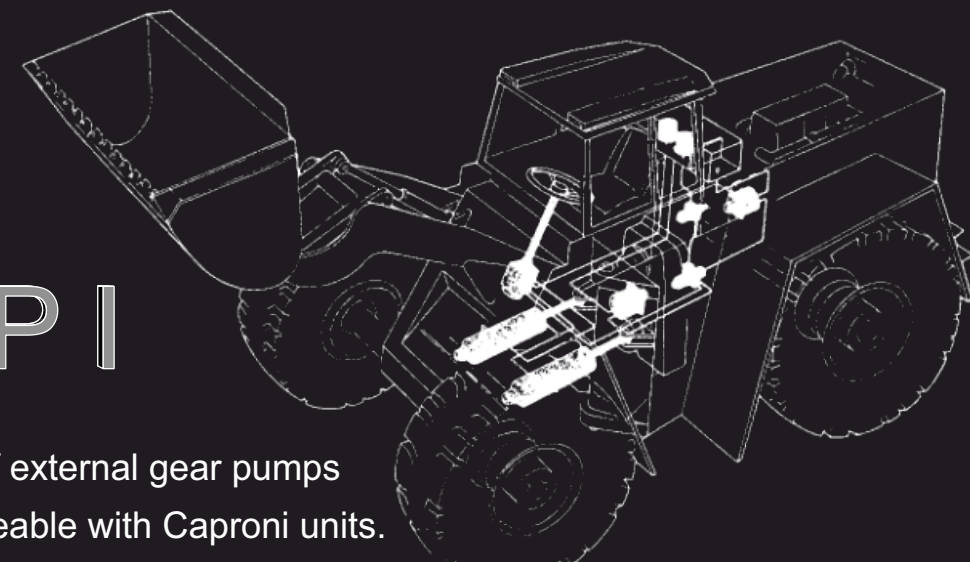
HENDERS[®] N Hydraulics

Hydraulic Gear Pumps



GROUP I

We offer wide range of external gear pumps completely interchangeable with Caproni units.



www.hendersonhydraulics.com

BASIC FORMULAS

The pump (motor) size, pressure and flow required for a specific application can be calculated using the formulas below.

Metric System

Inch System

Efficiency $\eta_t = \eta_{mh} \cdot \eta_v$ $\eta_{mh} = \frac{\eta_t}{\eta_v}$ $\eta_v = \frac{\eta_t}{\eta_{mh}}$

Efficiency $\eta_t = \eta_{mh} \cdot \eta_v$ $\eta_{mh} = \frac{\eta_t}{\eta_v}$ $\eta_v = \frac{\eta_t}{\eta_{mh}}$

Output flow (for pump) $Q = \frac{Vg \cdot n \cdot \eta_v}{1000}$ [l/min]

Output flow (for pump) $Q = \frac{Vg \cdot n \cdot \eta_v}{231}$ [GPM]

Driving torque (for pump) $M = \frac{Vg \cdot \Delta p}{62,8 \cdot \eta_{mh}}$ [Nm]

Driving torque (for pump) $M = \frac{Vg \cdot \Delta p}{2 \cdot \pi \cdot \eta_{mh}}$ [lb-in]

Input power (for pump) $P = \frac{M \cdot n}{9550} = \frac{Q \cdot \Delta p}{600 \cdot \eta_t}$ [kW]

Input power (for pump) $P = \frac{Vg \cdot n \cdot \Delta p}{396000 \cdot \eta_t}$ [hp]

Input flow (for Motor) $Q = \frac{Vg \cdot n}{1000 \cdot \eta_v}$ [l/min]

Input flow (for Motor) $Q = \frac{Vg \cdot n}{231 \cdot \eta_v}$ [GPM]

Output torque (for Motor) $M = \frac{Vg \cdot \Delta p \cdot \eta_{mh}}{62,8}$ [Nm]

Output torque (for Motor) $M = \frac{Vg \cdot \Delta p \cdot \eta_{mh}}{2 \cdot \pi}$ [lb-in]

Output power (for Motor) $P = \frac{M \cdot n}{9550} = \frac{Q \cdot \Delta p \cdot \eta_t}{600}$ [kW]

Output power (for Motor) $P = \frac{Vg \cdot n \cdot \Delta p \cdot \eta_t}{396000}$ [hp]

Speed (for Motor) $n = \frac{Q \cdot 1000 \cdot \eta_v}{Vg}$ [min⁻¹]

Speed (for Motor) $n = \frac{Q \cdot 231 \cdot \eta_v}{Vg}$ [min⁻¹]

- η_v = Volumetric efficiency
- η_{mh} = Mechanical-hydraulic efficiency
- η_t = Overall efficiency
- Vg = Displacement per rev. [cm³]
- Δp = $p_{HP} - p_{LP}$ [bar]
- p_{HP} = High pressure [bar]
- p_{LP} = Low pressure [bar]
- n = Rotation speed [RPM]
- Q = Oil flow [l/min]

- η_v = Volumetric efficiency
- η_{mh} = Mechanical-hydraulic efficiency
- η_t = Overall efficiency
- Vg = Displacement per rev. [in³]
- Δp = $p_{HP} - p_{LP}$ [PSI]
- p_{HP} = High pressure [PSI]
- p_{LP} = Low pressure [PSI]
- n = Rotation speed [RPM]
- Q = Oil flow [GPM]

CONTENTS

Pump type	Page	Pump type	Page
PGP10A(C)...X001	4	PGP10A(C)...X343	37
PGP10A(C)...X017	5	PGP10A(C)...X348	38
PGP10A(C)...X026	6	PGP10A(C)...X375	39
PGP10A(C)...X027	7	PGP10A(C)...X394	40
PGP10A(C)...X053	8	PGP10A(C)...X400	41
PGP10A(C)...X054	9	PGP10A(C)...X416	42
PGP10A(C)...X055	10	PGP10A(C)...X417	43
PGP10A(C)...X056	11	PGP10A(C)...X418	44
PGP10A(C)...X057	12	PGP10A(C)...X442	45
PGP10A(C)...X115	13	PGP10A(C)...X445	46
PGP10A(C)...X125	14	PGP10A(C)...X459	47
PGP10A(C)...X131	15	PGP10A(C)...X465	48
PGP10A(C)...X135	16	PGP10A(C)...X475	49
PGP10A(C)...X142	17	PGP10A(C)...X476	50
PGP10A(C)...X174	18	PGP10A(C)...X479	51
PGP10A(C)...X175	19	PGP10A(C)...X484	52
PGP10A(C)...X176	20	PGP10A(C)...X485	53
PGP10A(C)...X179	21	PGP10A(C)...X488	54
PGP10A(C)...X181	22	PGP10A(C)...X489	55
PGP10A(C)...X182	23	PGP10A(C)...X491A2A...	56
PGP10A(C)...X230	24	PGP10A(C)...X501	57
PGP10A(C)...X231	25	PGP10A(C)...X502	58
PGP10A(C)...X238	26	PGP10A(C)...X510	59
PGP10A(C)...X244	27	PGP10A(C)...X531	60
PGP10A(C)...X254	28	PGP10A(C)...X551	61
PGP10A(C)...X255	29	PGP10A(C)...X552	62
PGP10A(C)...X257	30	PGP10A(C)...X571	63
PGP10A(C)...X278	31	PGP10A(C)...X575	64
PGP10A(C)...X302	32	PGP10A(C)...X576	65
PGP10A(C)...X303	33	PGP10A(C)...X579	66
PGP10A(C)...X317	34	PGP10A(C)...X594	67
PGP10A(C)...X330	35	PGP10A(C)...X649	68
PGP10A(C)...X340	36		

GENERAL INFORMATION

Hydraulic Pumps Type PGP

Medium Duty External Gear Pumps Fixed Displacement
for open loop circuit

APPLICATION

- » Open loop circuit
- » Agricultural machines
- » Road building machines
- » Mining machinery
- » Food industry machines
- » Special vehicles

OPTIONS

- » Port options
- » Shaft options
- » Flange options
- » High pressure ports
- » Valve options
- » Direction of rotation

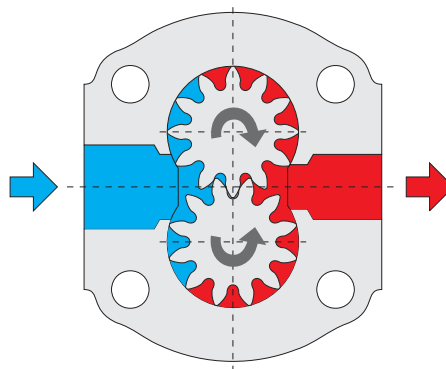
ADVANTAGES

- » Low pulsation
- » Compact size
- » Low cost

GENERAL

Displacement,	cm ³ /rev [in ³ /rev]	1÷9.8 [0.06÷0.6]		
Max. Driving Speed,	RPM	3500 (depending from displacement and type)		
Inlet Pressure, absolute	bar [PSI]	0.8 [11.6] to 2.2 [32]		
Fluid velocity in suction line,	m/s [IPS]	0.5 [0.0127] to 1 [0.0254]		
Fluid		Mineral based- HLP(DIN 51524) or HM(ISO 6743/4)		
Optimal Viscosity Range,	mm ² /s [SUS]	12÷100 [60÷456]		
Temperature,	C [°F]	Min starting	Max continuous	Max peak
Mineral oil, NBR seal		-25 [-13]	80 [176]	100 [212]
Filtration,	working pressure bar [PSI]	$\Delta p < 140$ $\Delta p < [2030]$	$140 < \Delta p < 210$ $[2030] < \Delta p < [3045]$	$\Delta p > 210$ $\Delta p > [3045]$
	Contamination class NAS 1638	10	9	8
	Contamination class ISO 4406	21/19/16	20/18/15	19/17/14
	Achieved with filter $\beta_{X(c)} 75$	25 μm	10 μm	10 μm

INLET PORT
(suction port)



OUTLET PORT
(high pressure port)

A - ANTI CLOCKWISE ROTATION

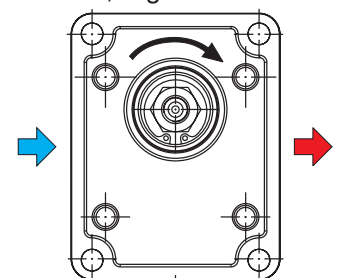
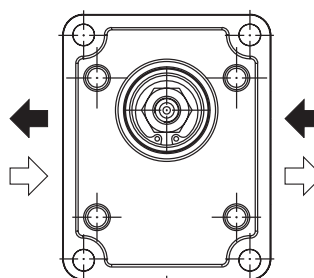
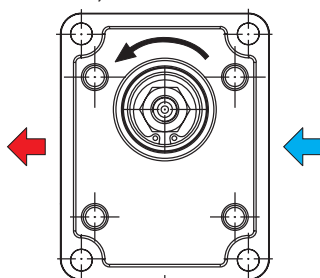
R - REVERSIBLE ROTATION

C - CLOCKWISE ROTATION

CCW, Left direction

CW and CCW directions

CW, Right direction



ORDERING CODE

		1	2	3	4	5	6
P	G	P	1				

Pos.1 - Direction of Rotation

- A** - CCW, Left direction
- C** - CW, Right direction
- R** - CW or CCW, Reversible

Pos.2 - Displacement Code

- 1** - 1 cm³/rev [0.06 in³/rev]
- 1.25** - 1.25 cm³/rev [0.076 in³/rev]
- 1.6** - 1.6 cm³/rev [0.0976 in³/rev]
- 2** - 2 cm³/rev [0.122 in³/rev]
- 2.5** - 2.5 cm³/rev [0.153 in³/rev]
- 2.65** - 2.65 cm³/rev [0.162 in³/rev]
- 3.15** - 3.15 cm³/rev [0.192 in³/rev]
- 3.65** - 3.65 cm³/rev [0.223 in³/rev]
- 4.2** - 4.2 cm³/rev [0.256 in³/rev]
- 4.7** - 4.7 cm³/rev [0.287 in³/rev]
- 5** - 5 cm³/rev [0.305 in³/rev]
- 5.7** - 5.7 cm³/rev [0.348 in³/rev]
- 6.1** - 6.1 cm³/rev [0.372 in³/rev]
- 7.4** - 7.4 cm³/rev [0.452 in³/rev]
- 8** - 8 cm³/rev [0.488 in³/rev]
- 8.5** - 8.5 cm³/rev [0.519 in³/rev]
- 9.8** - 9.8 cm³/rev [0.598 in³/rev]

Pos.3 - Drive Shaft

- X** - Through the front cover
- Y** - Through the front and end covers

Pos.4 - Pump CODE

*****(*)** - Please check pump types

Pos.5 - Ports

- none** - Flange with metric threads
- P4** - Flange with SAE threads
- M** - Metric threads
- G** - BSP threads
- G** - BSP threads
- U** - SAE J475 threads

Pos.6 - Design Series

default - Factory specified

EXAMPLE

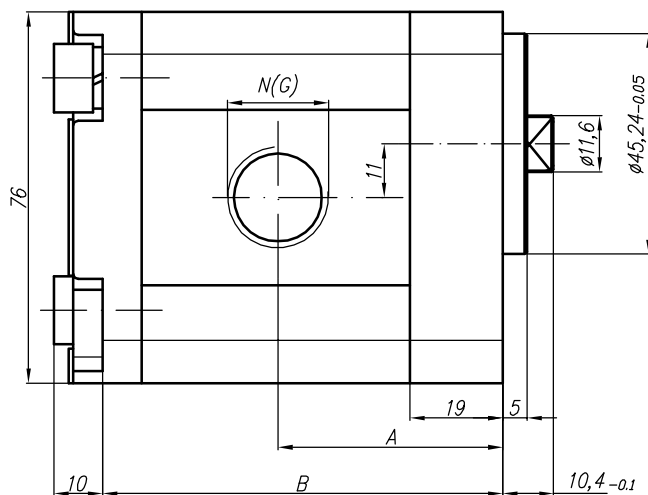
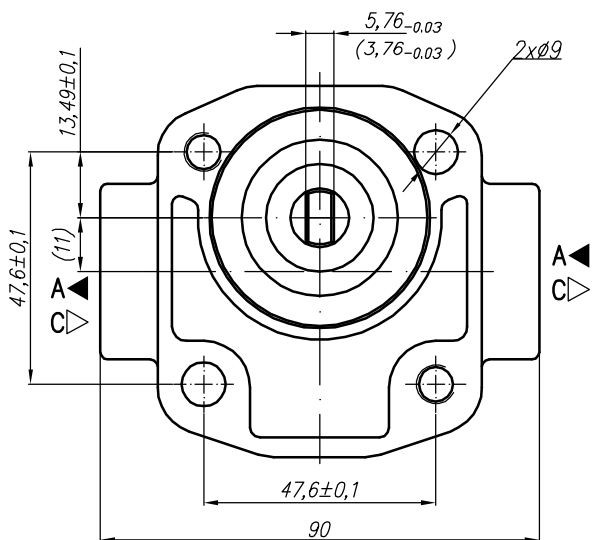
Type	Displacement	Flow		Pressure P _{nom}	max Speed n	Dimension							
		at 1500 rpm	at max rpm			A	B	Inlet			Outlet		
PGP	cm ³ /rev	l/min	l/min	bar	rpm	mm	mm	M	G	U	M	G	U
10A(C)7,4X053	7,4	10,55	17,58	180	2500	52,1	107,2	M22x1,5	G 1/2" - A	7/8" - 14UNF	M18x1,5	G 3/8" - A	3/4" - 16UNF
* 10A(C)8X053	8	11,40	15,20	150	2000	53,4	109,7						
10A(C)8,5X053	8,5	12,11	16,15	150	2000	54,4	111,7						
10A(C)9,8X053	9,8	13,97	18,62	120	2000	57	117						

PGP 10C9.8X053G - Hydraulic gear pump, I group, direction of rotation - clockwise, displacement 32 cm³/rev
X option shaft through the front cover, configuration 053, G thread option - Inlet thread G1/2, Outlet thread G3/8

GEAR PUMP TYPE PGP 10A(C)...X001...

Type	Displacement cm ³ /rev	Flow		Pressure P _{nom} bar	max Speed n rpm	Dimension						
		at 1500 rpm l/min	at max rpm l/min			Inlet			Outlet			
		A	B			G	N	U	G	N	U	
10A(C)1X001	1	1,40	3,26	250	3500	40,1	69,1	G1/2	1/2" NPTF-14	G1/2	1/2" NPTF-14	
10A(C)1,25X001	1,25	1,74	4,07	250	3500	40,6	70,1					
10A(C)1,6X001	1,6	2,23	5,21	250	3500	41,3	71,5					
10A(C)2X001	2	2,82	6,58	250	3500	42,1	73,2					
10A(C)2,5X001	2,5	3,53	8,23	250	3500	43,1	75,2					
* 10A(C)2,65X001	2,65	3,74	8,72	250	3500	43,4	75,8					
10A(C)3,15X001	3,15	4,44	10,36	250	3500	44,5	77,8					
10A(C)3,65X001	3,65	5,15	12,01	250	3500	45,4	79,8					
10A(C)4,2X001	4,2	5,92	13,82	250	3500	46,5	82,0					
* 10A(C)4,7X001	4,7	6,63	15,46	250	3500	47,5	84,1					
10A(C)5X001	5	7,05	14,10	250	3000	48,1	85,2					
10A(C)5,7X001	5,7	8,12	16,25	200	3000	49,5	88,0					
10A(C)6,1X001	6,1	8,69	14,49	200	2500	50,4	89,8					
10A(C)7,4X001	7,4	10,55	17,58	180	2500	53,1	95,3					
* 10A(C)8X001	8	11,40	15,20	150	2000	54,4	97,7					
10A(C)8,5X001	8,5	12,11	16,15	150	2000	55,4	99,8					
10A(C)9,8X001	9,8	13,97	18,62	120	2000	58,0	105,0					

* - These pumps - only under a special order



Variants:

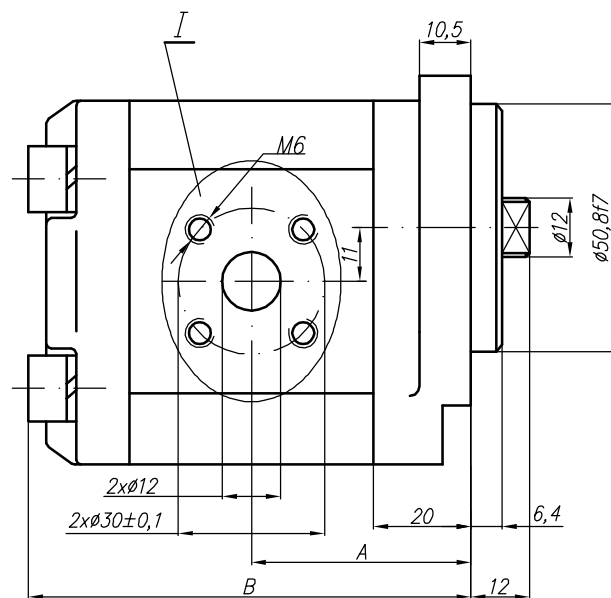
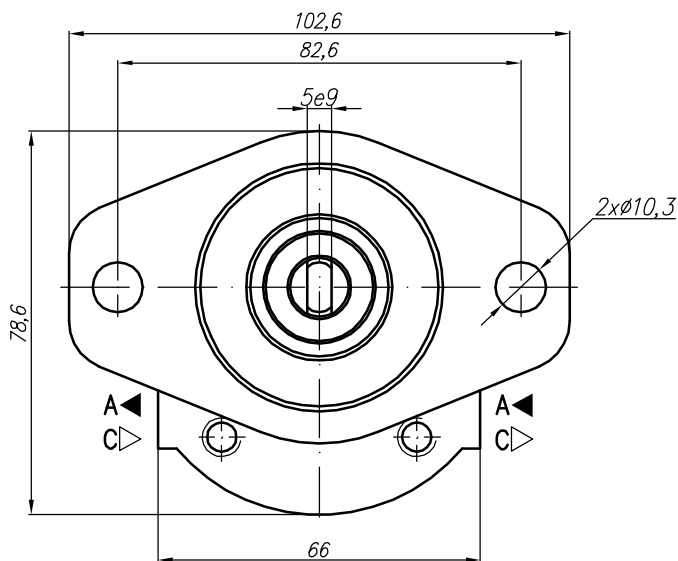
- for drive shaft 3,76 - ...001-3
- for G ports - ...001G

GEAR PUMP TYPE PGP 10A(C)...X017...

GROUP I

Type	Displacement cm ³ /rev	Flow		Pressure P _{nom} bar	max Speed n rpm	Dimension							
		at 1500 rpm l/min	at max rpm l/min			Inlet			Outlet				
						A mm	B mm	M	G	U	M	G	U
10A(C)1X017	1	1,40	3,26	250	3500	41,1	83	M16x1,5	G 3/8" - A	3/4" - 16UNF - 2B	M16x1,5	G 3/8" - A	9/16" - 18UNF - 2B
10A(C)1,25X017	1,25	1,74	4,07	250	3500	41,5	84						
10A(C)1,6X017	1,6	2,23	5,21	250	3500	42,3	85,6						
10A(C)2X017	2	2,82	6,58	250	3500	43,1	87,2						
10A(C)2,5X017	2,5	3,53	8,23	250	3500	44,1	89,2						
* 10A(C)2,65X017	2,65	3,74	8,72	250	3500	44,4	89,8	M20x1,5	G 1/2" - A	3/4" - 16UNF - 2B	M16x1,5	G 3/8" - A	9/16" - 18UNF - 2B
10A(C)3,15X017	3,15	4,44	10,36	250	3500	45,5	91,8						
10A(C)3,65X017	3,65	5,15	12,01	250	3500	46,4	93,9						
10A(C)4,2X017	4,2	5,92	13,82	250	3500	47,5	96,1						
* 10A(C)4,7X017	4,7	6,63	15,46	250	3500	48,5	98						
10A(C)5X017	5	7,05	14,10	250	3000	49,1	99,2	M22x1,5	G 1/2" - A	7/8" - 14UNF	M18x1,5	3/4" - 16UNF	
10A(C)5,7X017	5,7	8,12	16,25	200	3000	50,5	102						
10A(C)6,1X017	6,1	8,69	14,49	200	2500	51,4	103,8						
10A(C)7,4X017	7,4	10,55	17,58	180	2500	54,1	109,2						
* 10A(C)8X017	8	11,40	15,20	150	2000	55,4	111,7						
10A(C)8,5X017	8,5	12,11	16,15	150	2000	56,4	113,7						
10A(C)9,8X017	9,8	13,97	18,62	120	2000	59	119						

* - These pumps - only under a special order

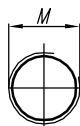


I - variants

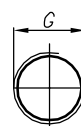
Variants:

- ...X017 - Normal version (flange);
- ...X017M - for M ports (see the picture I and the table below);
- ...X017G - for G ports (see the picture I and the table below);
- ...X017U - for U ports (see the picture I and the table below).

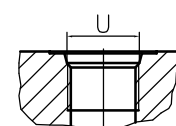
Variant M



Variant G



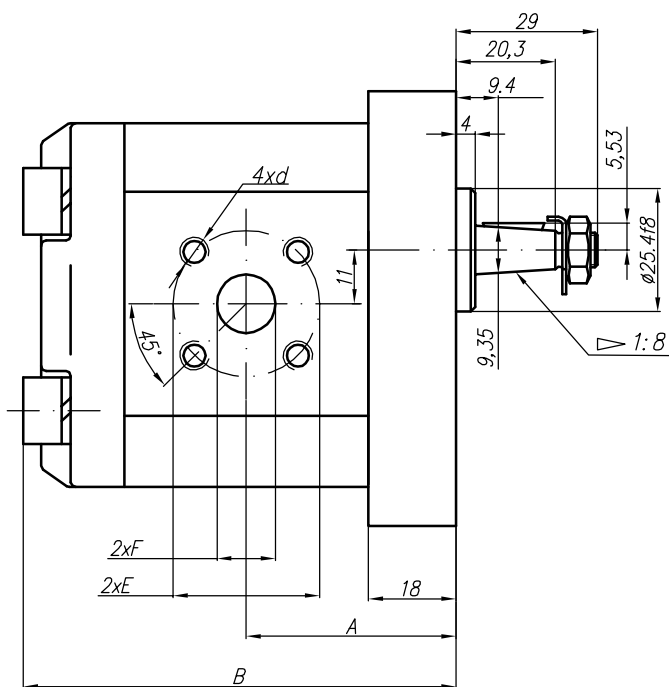
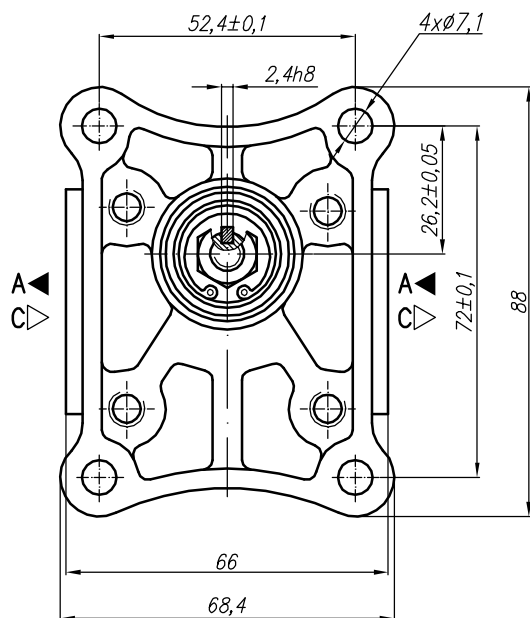
Variant U (SAEJ475 (ISO R725))



GEAR PUMP TYPE PGP 10A(C)...X017...

Type	Displacement cm ³ /rev	Flow		Pressure P _{nom} bar	max Speed n rpm	Dimension							
		at 1500 rpm l/min	at max rpm l/min			A mm	B mm	Inlet			Outlet		
								E	F	d	M	G	U
10A(C)1X026	1	1,40	3,26	250	3500	39,1	81	ø30	ø12	M6	ø30	ø12	M6
10A(C)1,25X026	1,25	1,74	4,07	250	3500	39,5	82						
10A(C)1,6X026	1,6	2,23	5,21	250	3500	40,3	83,6						
10A(C)2X026	2	2,82	6,58	250	3500	41,1	85,2						
10A(C)2,5X026	2,5	3,53	8,23	250	3500	42,1	87,2						
* 10A(C)2,65X026	2,65	3,74	8,72	250	3500	42,4	87,8						
10A(C)3,15X026	3,15	4,44	10,36	250	3500	43,5	89,8						
10A(C)3,65X026	3,65	5,15	12,01	250	3500	44,4	91,9						
10A(C)4,2X026	4,2	5,92	13,82	250	3500	45,5	94,1						
* 10A(C)4,7X026	4,7	6,63	15,46	250	3500	46,1	96						
10A(C)5X026	5	7,05	14,10	250	3000	47,1	97,2						
10A(C)5,7X026	5,7	8,12	16,25	200	3000	48,5	100,1						
10A(C)6,1X026	6,1	8,69	14,49	200	2500	49,4	101,8						
10A(C)7,4X026	7,4	10,55	17,58	180	2500	52,1	107,2						
* 10A(C)8X026	8	11,40	15,20	150	2000	53,4	109,7						
10A(C)8,5X026	8,5	12,11	16,15	150	2000	54,4	111,7						
10A(C)9,8X026	9,8	13,97	18,62	120	2000	57	117						

* - These pumps - only under a special order



GEAR PUMP TYPE PGP 10A(C)...X027

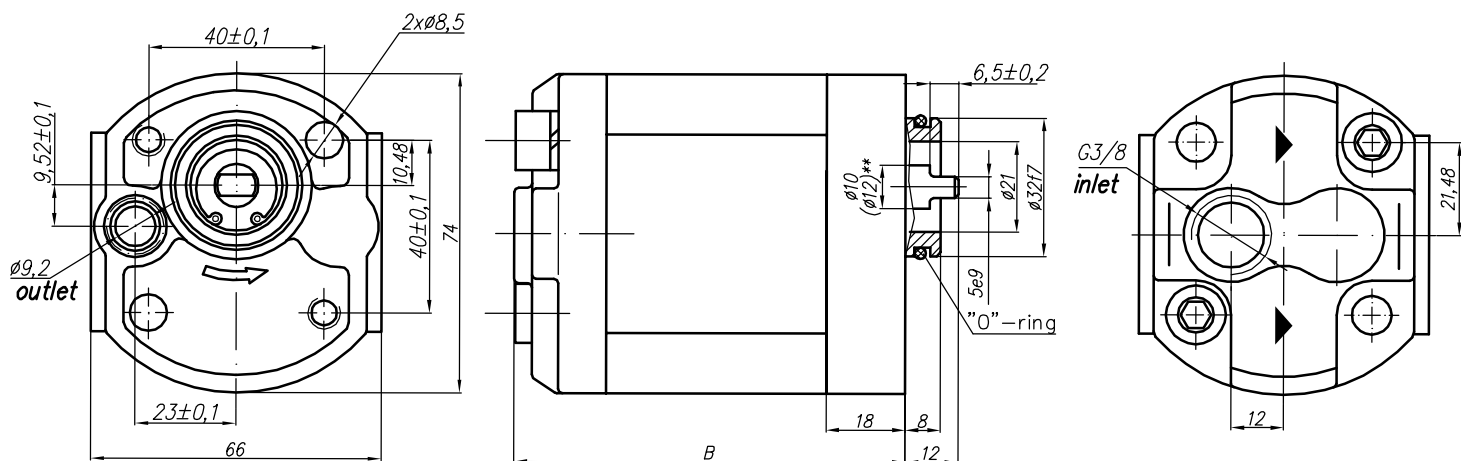
GROUP I

Type	Displacement cm ³ /rev	Flow		Pressure P _{nom} bar	max Speed n rpm	Dimension							
		at 1500 rpm l/min	at max rpm l/min			Inlet			Outlet				
						A mm	B mm	M	G	U	M	G	U
10A(C)1X027	1	1,40	3,26	250	3500	71	81	G 3/8" - A				ø9,2	
10A(C)1,25X027	1,25	1,74	4,07	250	3500	72	82						
10A(C)1,6X027	1,6	2,23	5,21	250	3500	73,6	83,6						
10A(C)2X027	2	2,82	6,58	250	3500	75,2	85,2						
10A(C)2,5X027	2,5	3,53	8,23	250	3500	77,2	87,2						
* 10A(C)2,65X027	2,65	3,74	8,72	250	3500	77,8	87,8						
10A(C)3,15X027	3,15	4,44	10,36	250	3500	79,8	89,8						
10A(C)3,65X027	3,65	5,15	12,01	250	3500	81,9	91,9						
10A(C)4,2X027	4,2	5,92	13,82	250	3500	84,1	94,1						
* 10A(C)4,7X027	4,7	6,63	15,46	250	3500	87,1	97,1						
10A(C)5X027	5	7,05	14,10	250	3000	87,2	97,2						
10A(C)5,7X027	5,7	8,12	16,25	200	3000	90,1	100,1						
10A(C)6,1X027	6,1	8,69	14,49	200	2500	91,8	101,8						
10A(C)7,4X027	7,4	10,55	17,58	180	2500	97,2	107,2						
* 10A(C)8X027	8	11,40	15,20	150	2000	99,7	109,7						
10A(C)8,5X027	8,5	12,11	16,15	150	2000	101,7	111,7						
10A(C)9,8X027	9,8	13,97	18,62	120	2000	107	117						

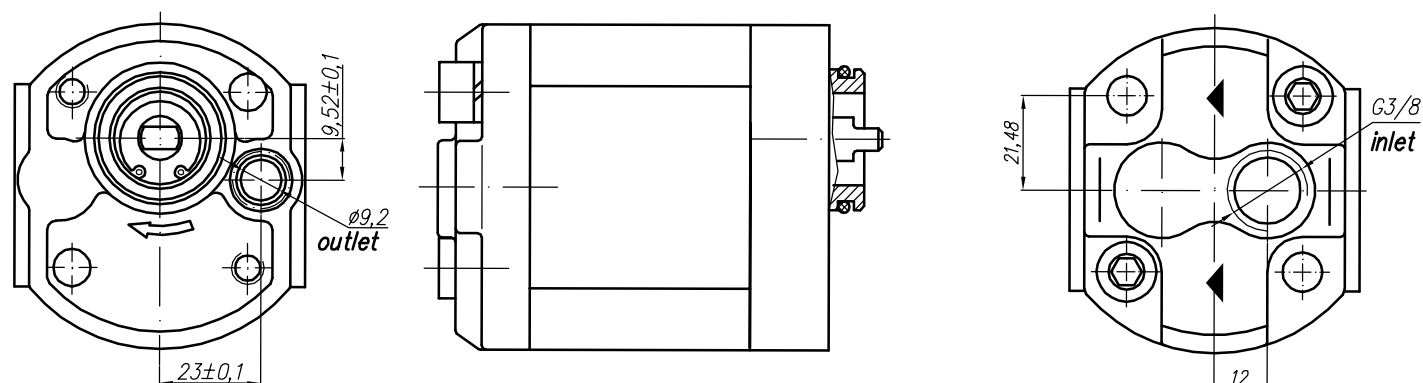
* - These pumps - only under a special order

** - For a shaft with dia 12 see the pump 302 (p. 32)

Rotation "A" - (anticlockwise)



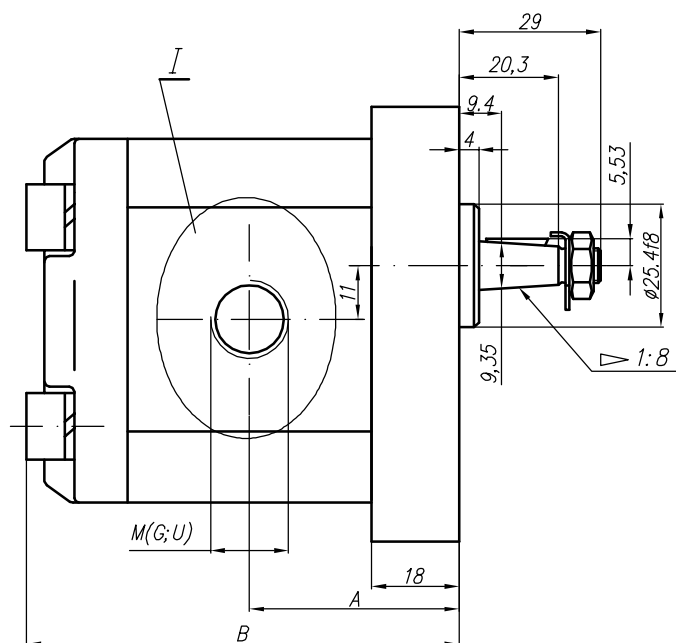
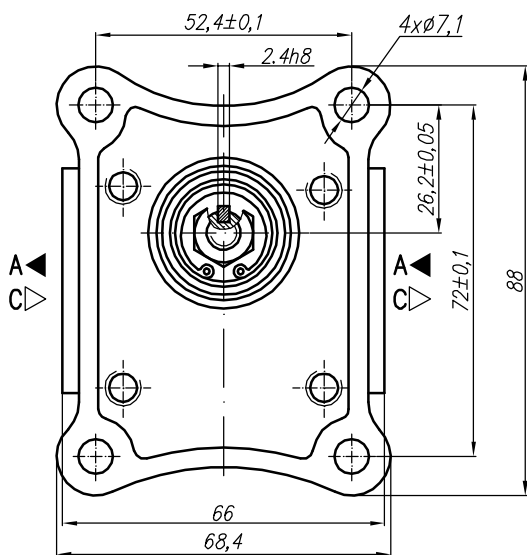
Rotation "C" - (clockwise)



GEAR PUMP TYPE PGP 10A(C)...X053...

Type	Displacement cm ³ /rev	Flow		Pressure P _{nom} bar	max Speed n rpm	Dimension									
		at 1500 rpm l/min	at max rpm l/min			A		B		Inlet			Outlet		
						mm	mm	M	G	U	M	G	U		
10A(C)1X053	1	1,40	3,26	250	3500	39,1	81	M16x1,5	G 3/8" - A	3/4" - 16UNF - 2B	M16x1,5	G 3/8" - A	9/16" - 18UNF - 2B		
10A(C)1,25X053	1,25	1,74	4,07	250	3500	39,5	82								
10A(C)1,6X053	1,6	2,23	5,21	250	3500	40,3	83,6								
10A(C)2X053	2	2,82	6,58	250	3500	41,1	85,2								
10A(C)2,5X053	2,5	3,53	8,23	250	3500	42,1	87,2								
* 10A(C)2,65X053	2,65	3,74	8,72	250	3500	42,4	87,8	M20x1,5	G 1/2" - A	3/4" - 16UNF - 2B	M16x1,5	G 3/8" - A	9/16" - 18UNF - 2B		
10A(C)3,15X053	3,15	4,44	10,36	250	3500	43,5	89,8								
10A(C)3,65X053	3,65	5,15	12,01	250	3500	44,4	91,9								
10A(C)4,2X053	4,2	5,92	13,82	250	3500	45,5	94,1								
* 10A(C)4,7X053	4,7	6,63	15,46	250	3500	46,1	96								
10A(C)5X053	5	7,05	14,10	250	3000	47,1	97,2	M22x1,5	G 1/2" - A	7/8" - 14UNF	M18x1,5	3/4" - 16UNF			
10A(C)5,7X053	5,7	8,12	16,25	200	3000	48,5	100,1								
10A(C)6,1X053	6,1	8,69	14,49	200	2500	49,4	101,8								
10A(C)7,4X053	7,4	10,55	17,58	180	2500	52,1	107,2								
* 10A(C)8X053	8	11,40	15,20	150	2000	53,4	109,7								
10A(C)8,5X053	8,5	12,11	16,15	150	2000	54,4	111,7								
10A(C)9,8X053	9,8	13,97	18,62	120	2000	57	117								

* - These pumps - only under a special order

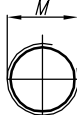


I - variants

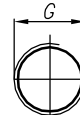
Variants:

- ...X053M - for M ports (see the picture I and the table below);
- ...X053G - for G ports (see the picture I and the table below);
- ...X053U - for U ports (see the picture I and the table below).

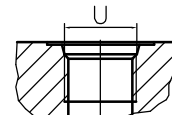
Variant M



Variant G



Variant U (SAEJ475 (ISO R725))



GEAR PUMP TYPE PGP 10A(C)...X054

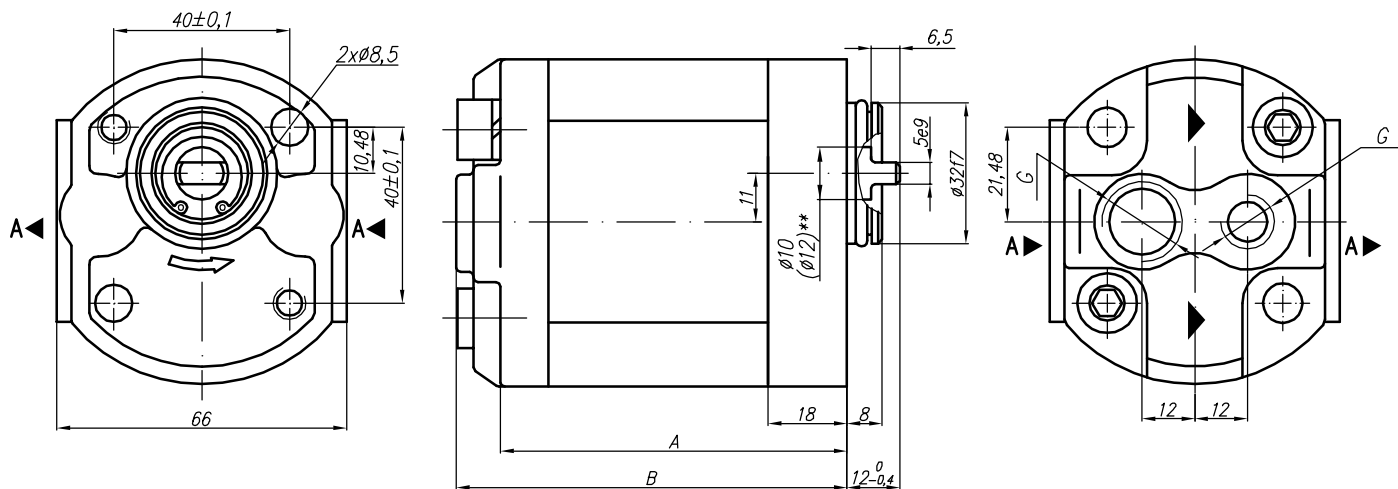
GROUP I

Type	Displacement cm ³ /rev	Flow		Pressure P _{nom} bar	max Speed n rpm	Dimension						
		at 1500 rpm l/min	at max rpm l/min			Inlet			Outlet			
		A	B			M	G	U	M	G	U	
10A(C)1X054	1	1,40	3,26	250	3500	71	81	G 3/8" - A	G 1/4" - A			
10A(C)1,25X054	1,25	1,74	4,07	250	3500	72	82					
10A(C)1,6X054	1,6	2,23	5,21	250	3500	73,6	83,6					
10A(C)2X054	2	2,82	6,58	250	3500	75,2	85,2					
10A(C)2,5X054	2,5	3,53	8,23	250	3500	77,2	87,2					
* 10A(C)2,65X054	2,65	3,74	8,72	250	3500	77,8	87,8					
10A(C)3,15X054	3,15	4,44	10,36	250	3500	79,8	89,8					
10A(C)3,65X054	3,65	5,15	12,01	250	3500	81,9	91,9					
10A(C)4,2X054	4,2	5,92	13,82	250	3500	84,1	94,1					
* 10A(C)4,7X054	4,7	6,63	15,46	250	3500	87,1	97,1					
10A(C)5X054	5	7,05	14,10	250	3000	87,2	97,2					
10A(C)5,7X054	5,7	8,12	16,25	200	3000	90,1	100,1					
10A(C)6,1X054	6,1	8,69	14,49	200	2500	91,8	101,8					
10A(C)7,4X054	7,4	10,55	17,58	180	2500	97,2	107,2					
* 10A(C)8X054	8	11,40	15,20	150	2000	99,7	109,7					
10A(C)8,5X054	8,5	12,11	16,15	150	2000	101,7	111,7					
10A(C)9,8X054	9,8	13,97	18,62	120	2000	107	117					

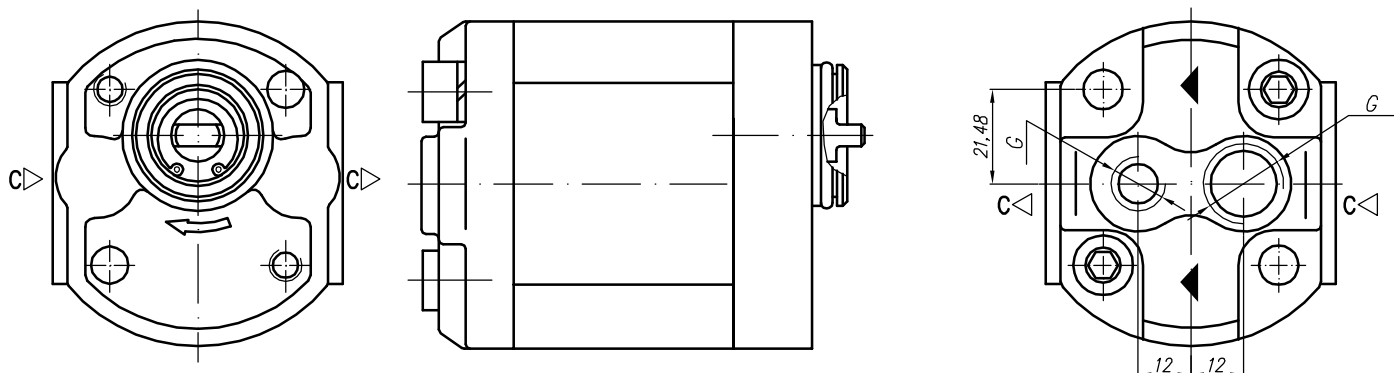
* - These pumps - only under a special order

** - Shaft dia is 10 mm for displ. 1 ... 6,1 ccm and 12 mm for displ. 7,4 ccm and more

Rotation "A" - (anticlockwise)



Rotation "C" - (clockwise)



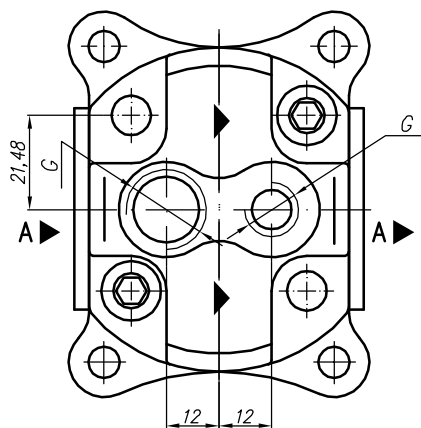
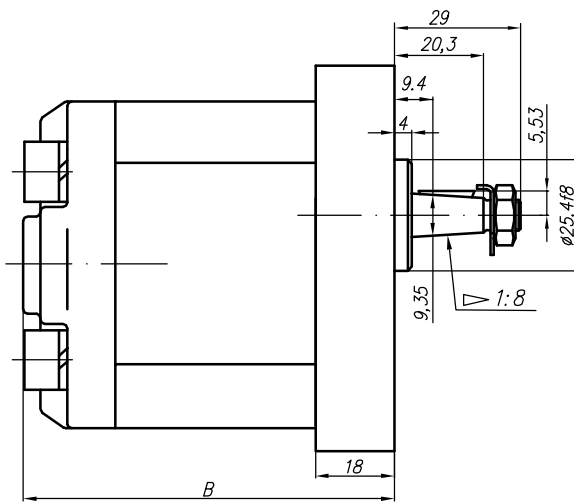
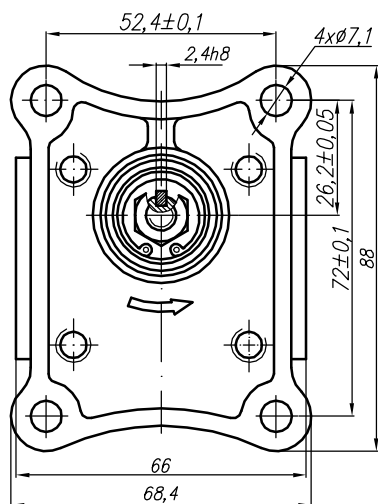
GEAR PUMP TYPE PGP 10A(C)...X055

GROUP I

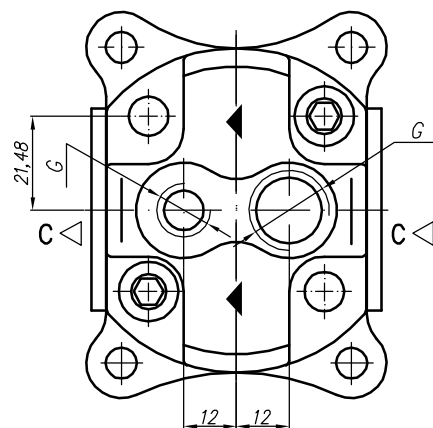
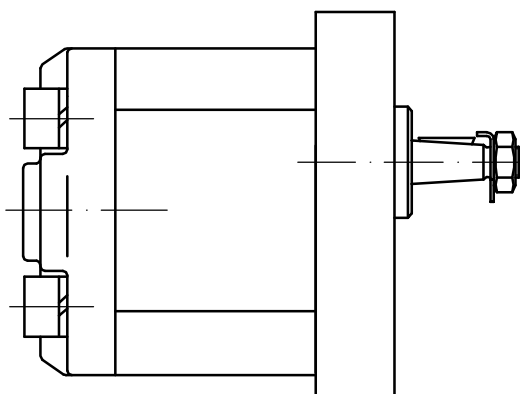
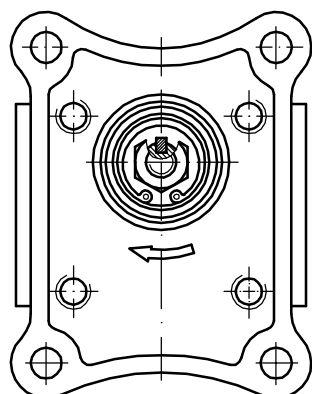
Type	Displacement cm ³ /rev	Flow		Pressure P _{nom} bar	max Speed n rpm	Dimension						
		at 1500 rpm l/min	at max rpm l/min			Inlet			Outlet			
		A	B			M	G	U	M	G	U	
10A(C)1X055	1	1,40	3,26	250	3500	71	81	G 3/8" - A	G 1/4" - A			
10A(C)1,25X055	1,25	1,74	4,07	250	3500	72	82					
10A(C)1,6X055	1,6	2,23	5,21	250	3500	73,6	83,6					
10A(C)2X055	2	2,82	6,58	250	3500	75,2	85,2					
10A(C)2,5X055	2,5	3,53	8,23	250	3500	77,2	87,2					
* 10A(C)2,65X055	2,65	3,74	8,72	250	3500	77,8	87,8					
10A(C)3,15X055	3,15	4,44	10,36	250	3500	79,8	89,8					
10A(C)3,65X055	3,65	5,15	12,01	250	3500	81,9	91,9					
10A(C)4,2X055	4,2	5,92	13,82	250	3500	84,1	94,1					
* 10A(C)4,7X055	4,7	6,63	15,46	250	3500	87,1	97,1					
10A(C)5X055	5	7,05	14,10	250	3000	87,2	97,2					
10A(C)5,7X055	5,7	8,12	16,25	200	3000	90,1	100,1					
10A(C)6,1X055	6,1	8,69	14,49	200	2500	91,8	101,8					
10A(C)7,4X055	7,4	10,55	17,58	180	2500	97,2	107,2					
* 10A(C)8X055	8	11,40	15,20	150	2000	99,7	109,7					
10A(C)8,5X055	8,5	12,11	16,15	150	2000	101,7	111,7					
10A(C)9,8X055	9,8	13,97	18,62	120	2000	107	117					

* - These pumps - only under a special order

Rotation "A" - (anticlockwise)



Rotation "C" - (clockwise)



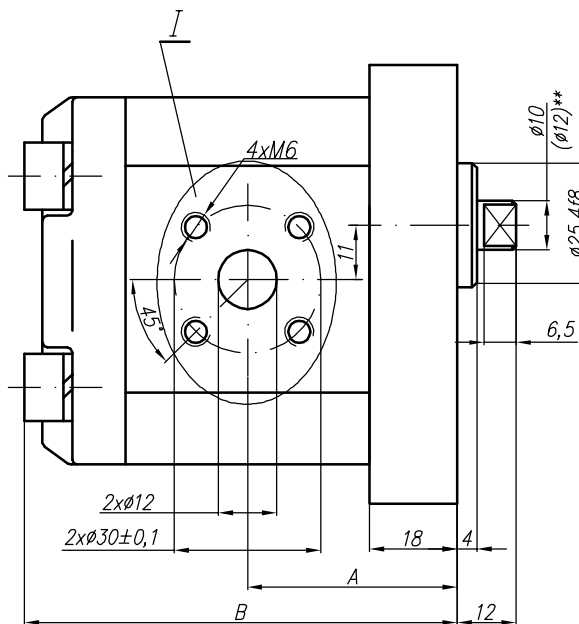
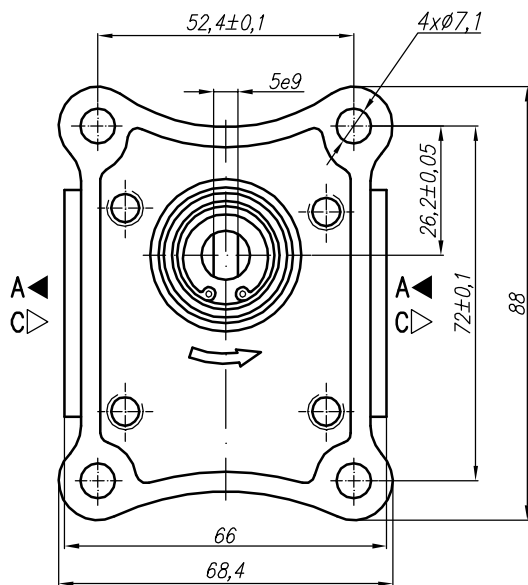
GEAR PUMP TYPE PGP 10A(C)...X057...

GROUP
I

Type	Displacement cm ³ /rev	Flow		Pressure P _{nom} bar	max Speed n rpm	Dimension							
		at 1500 rpm l/min	at max rpm l/min			Inlet		Outlet					
						A mm	B mm	M	G	U	M	G	U
10A(C)1X057	1	1,40	3,26	250	3500	39,1	81	M16x1,5	G 3/8" - A	3/4" - 16UNF - 2B	M16x1,5	G 3/8" - A	9/16" - 18UNF - 2B
10A(C)1,25X057	1,25	1,74	4,07	250	3500	39,5	82						
10A(C)1,6X057	1,6	2,23	5,21	250	3500	40,3	83,6						
10A(C)2X057	2	2,82	6,58	250	3500	41,1	85,2						
10A(C)2,5X057	2,5	3,53	8,23	250	3500	42,1	87,2						
* 10A(C)2,65X057	2,65	3,74	8,72	250	3500	42,4	87,8	M20x1,5	G 1/2" - A	3/4" - 16UNF - 2B	M16x1,5	G 3/8" - A	9/16" - 18UNF - 2B
10A(C)3,15X057	3,15	4,44	10,36	250	3500	43,5	89,8						
10A(C)3,65X057	3,65	5,15	12,01	250	3500	44,4	91,9						
10A(C)4,2X057	4,2	5,92	13,82	250	3500	45,5	94,1						
* 10A(C)4,7X057	4,7	6,63	15,46	250	3500	46,1	96						
10A(C)5X057	5	7,05	14,10	250	3000	47,1	97,2	M22x1,5	G 1/2" - A	7/8" - 14UNF	M18x1,5	3/4" - 16UNF	
10A(C)5,7X057	5,7	8,12	16,25	200	3000	48,5	100,1						
10A(C)6,1X057	6,1	8,69	14,49	180	2500	49,4	101,8						
10A(C)7,4X057	7,4	10,55	17,58	180	2500	52,1	107,2						
* 10A(C)8X057	8	11,40	15,20	150	2000	53,4	109,7						
10A(C)8,5X057	8,5	12,11	16,15	150	2000	54,4	111,7	M22x1,5	G 1/2" - A	7/8" - 14UNF	M18x1,5	3/4" - 16UNF	
10A(C)9,8X057	9,8	13,97	18,62	120	2000	57	117						

* - These pumps - only under a special order

** - Shaft dia is 10 mm for displ. 1 ... 6,1 ccm and 12 mm for displ. 7,4 ccm and more

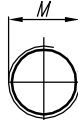


I - variants

Variants:

- ...X057 - Normal version (flange);
- ...X057M - for M ports (see the picture I and the table below);
- ...X057G - for G ports (see the picture I and the table below);
- ...X057U - for U ports (see the picture I and the table below).

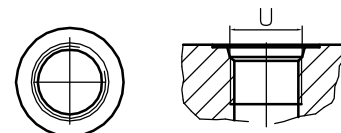
Variant M



Variant G



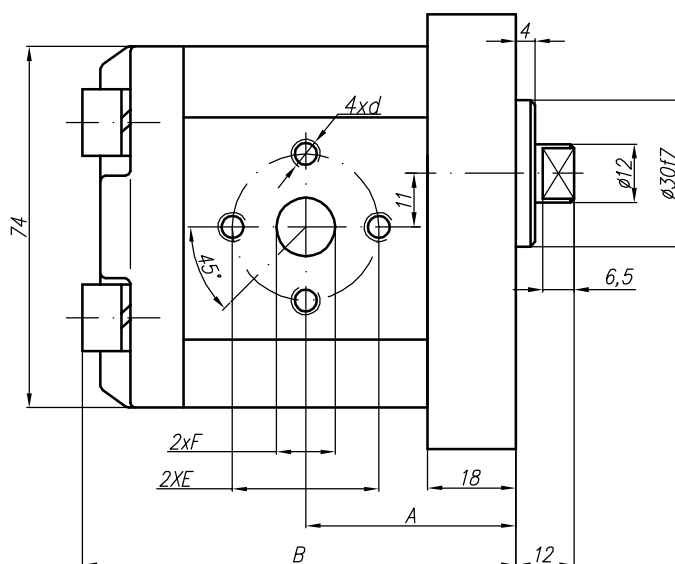
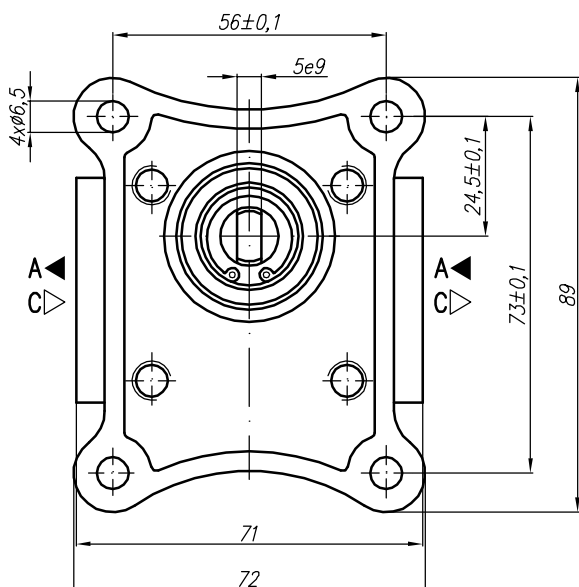
Variant U (SAEJ475 (ISO R725))



GEAR PUMP TYPE PGP 10A(C)...X115

Type	Displacement cm ³ /rev	Flow		Pressure P _{nom} bar	max Speed n rpm	Dimension							
		at 1500 rpm l/min	at max rpm l/min			Inlet			Outlet				
						A mm	B mm	E	F	d	E	F	d
10A(C)1X115	1	1,40	3,26	250	3500	39,1	81	ø30	ø12	M6	ø30	ø12	M6
10A(C)1,25X115	1,25	1,74	4,07	250	3500	39,5	82						
10A(C)1,6X115	1,6	2,23	5,21	250	3500	40,3	83,6						
10A(C)2X115	2	2,82	6,58	250	3500	41,1	85,2						
10A(C)2,5X115	2,5	3,53	8,23	250	3500	42,1	87,2						
* 10A(C)2,65X115	2,65	3,74	8,72	250	3500	42,4	87,8						
10A(C)3,15X115	3,15	4,44	10,36	250	3500	43,5	89,8						
10A(C)3,65X115	3,65	5,15	12,01	250	3500	44,4	91,9						
10A(C)4,2X115	4,2	5,92	13,82	250	3500	45,5	94,1						
* 10A(C)4,7X115	4,7	6,63	15,46	250	3500	46,1	96						
10A(C)5X115	5	7,05	14,10	250	3000	47,1	97,2						
10A(C)5,7X115	5,7	8,12	16,25	200	3000	48,5	100,1						
10A(C)6,1X115	6,1	8,69	14,49	200	2500	49,4	101,8						
10A(C)7,4X115	7,4	10,55	17,58	180	2500	52,1	107,2						
* 10A(C)8X115	8	11,40	15,20	150	2000	53,4	109,7						
10A(C)8,5X115	8,5	12,11	16,15	150	2000	54,4	111,7						
10A(C)9,8X115	9,8	13,97	18,62	120	2000	57	117						

* - These pumps - only under a special order



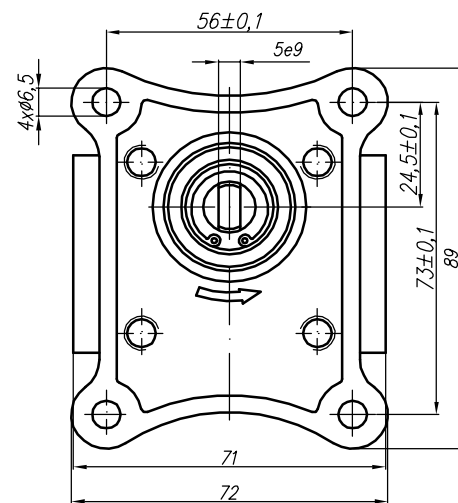
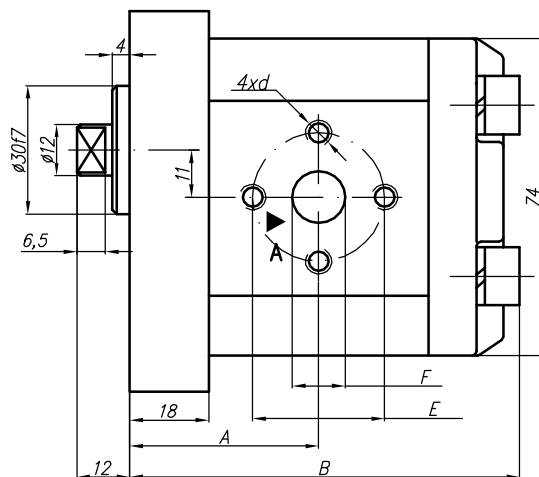
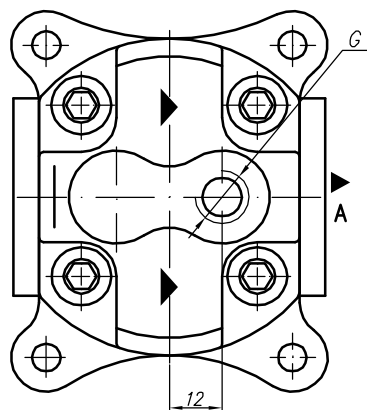
GEAR PUMP TYPE PGP 10A(C)...X125

GROUP I

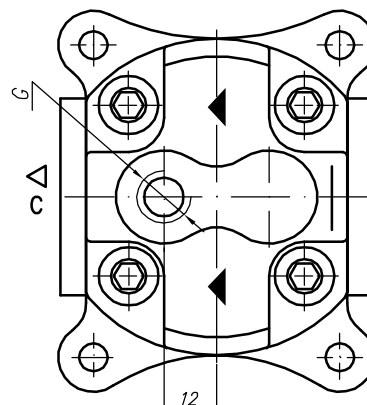
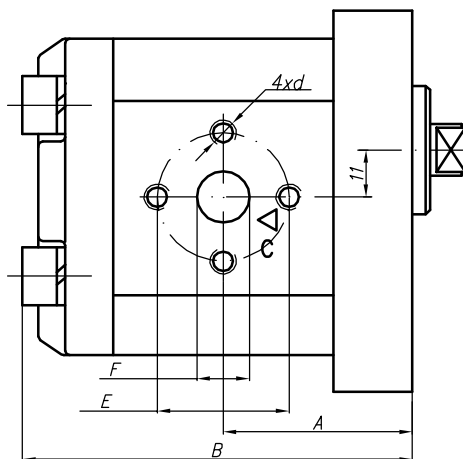
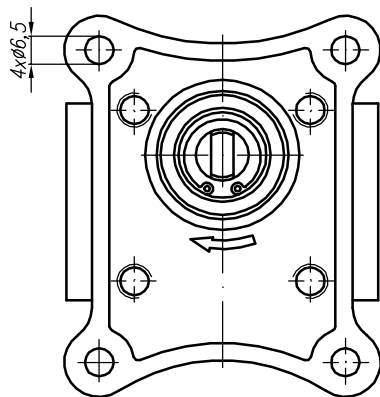
Type	Displacement cm ³ /rev	Flow		Pressure P _{nom} bar	max Speed n rpm	Dimension							
		at 1500 rpm l/min	at max rpm l/min			A mm	B mm	Inlet			Outlet		
								E	F	d	M	G	U
10A(C)1X125	1	1,40	3,26	250	3500	39,1	81						
10A(C)1,25X125	1,25	1,74	4,07	250	3500	39,5	82						
10A(C)1,6X125	1,6	2,23	5,21	250	3500	40,3	83,6						
10A(C)2X125	2	2,82	6,58	250	3500	41,1	85,2						
10A(C)2,5X125	2,5	3,53	8,23	250	3500	42,1	87,2						
* 10A(C)2,65X125	2,65	3,74	8,72	250	3500	42,4	87,8						
10A(C)3,15X125	3,15	4,44	10,36	250	3500	43,5	89,8						
10A(C)3,65X125	3,65	5,15	12,01	250	3500	44,4	91,9						
10A(C)4,2X125	4,2	5,92	13,82	250	3500	45,5	94,1	∅ 30	∅ 12	M6			
* 10A(C)4,7X125	4,7	6,63	15,46	250	3500	46,1	96						
10A(C)5X125	5	7,05	14,10	250	3000	47,1	97,2						
10A(C)5,7X125	5,7	8,12	16,25	200	3000	48,5	100,1						
10A(C)6,1X125	6,1	8,69	14,49	200	2500	49,4	101,8						
10A(C)7,4X125	7,4	10,55	17,58	180	2500	52,1	107,2						
* 10A(C)8X125	8	11,40	15,20	150	2000	53,4	109,7						
10A(C)8,5X125	8,5	12,11	16,15	150	2000	54,4	111,7						
10A(C)9,8X125	9,8	13,97	18,62	120	2000	57	117						

* - These pumps - only under a special order

Rotation "A" - (anticlockwise)



Rotation "C" - (clockwise)

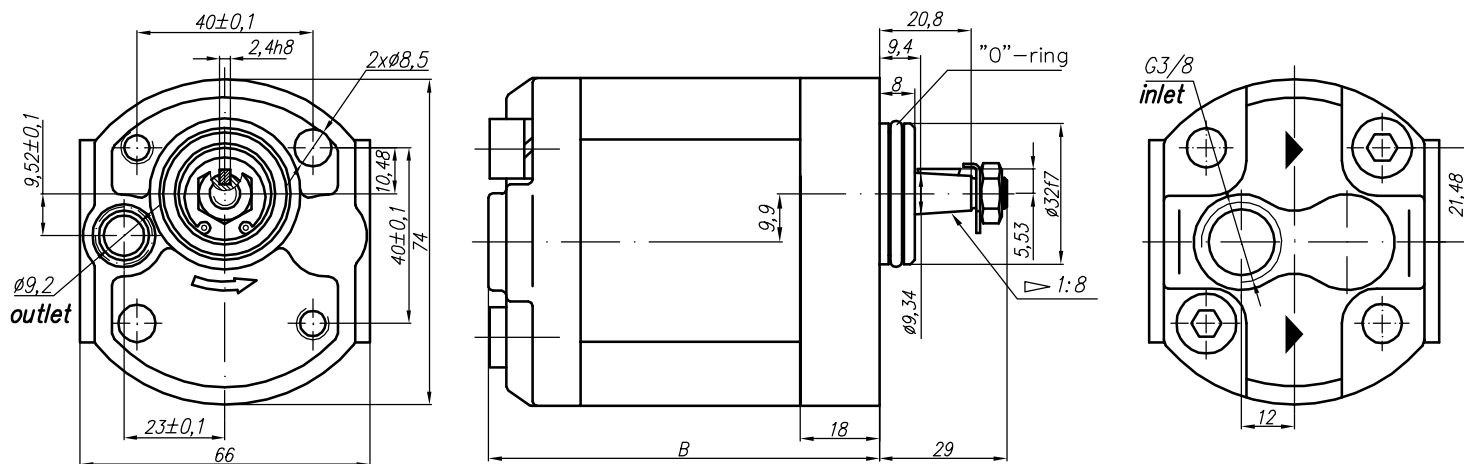


GEAR PUMP TYPE PGP 10A(C)...X131

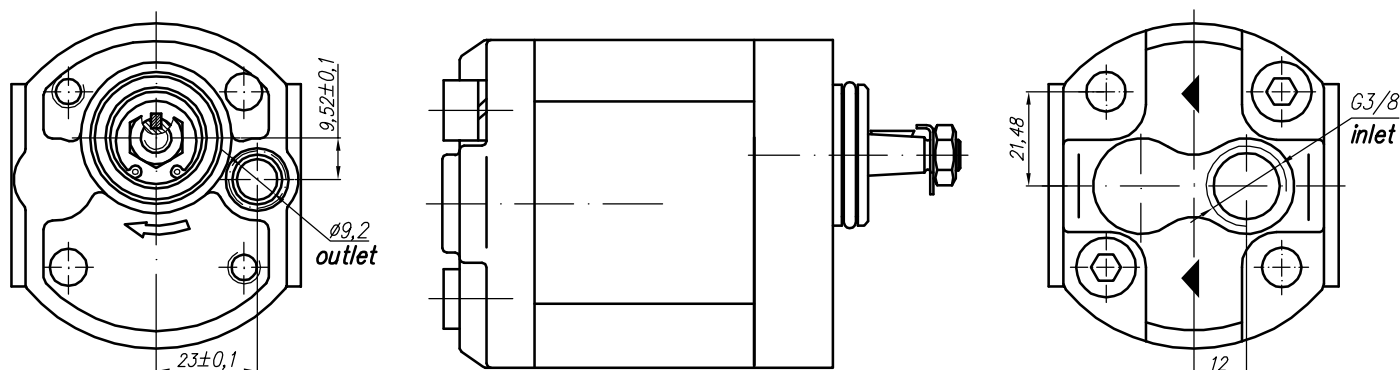
Type	Displacement cm ³ /rev	Flow		Pressure P _{nom} bar	max Speed n rpm	Dimension							
		at 1500 rpm l/min	at max rpm l/min			Inlet			Outlet				
		A	B			M	G	U	M	G	U		
10A(C)1X131	1	1,40	3,26	250	3500	71	81	G 3/8" - A	ø9,2				
10A(C)1,25X131	1,25	1,74	4,07	250	3500	72	82						
10A(C)1,6X131	1,6	2,23	5,21	250	3500	73,6	83,6						
10A(C)2X131	2	2,82	6,58	250	3500	75,2	85,2						
10A(C)2,5X131	2,5	3,53	8,23	250	3500	77,2	87,2						
* 10A(C)2,65X131	2,65	3,74	8,72	250	3500	77,8	87,8						
10A(C)3,15X131	3,15	4,44	10,36	250	3500	79,8	89,8						
10A(C)3,65X131	3,65	5,15	12,01	250	3500	81,9	91,9						
10A(C)4,2X131	4,2	5,92	13,82	250	3500	84,1	94,1						
* 10A(C)4,7X131	4,7	6,63	15,46	250	3500	87,1	97,1						
10A(C)5X131	5	7,05	14,10	250	3000	87,2	97,2						
10A(C)5,7X131	5,7	8,12	16,25	200	3000	90,1	100,1						
10A(C)6,1X131	6,1	8,69	14,49	200	2500	91,8	101,8						
10A(C)7,4X131	7,4	10,55	17,58	180	2500	97,2	107,2						
* 10A(C)8X131	8	11,40	15,20	150	2000	99,7	109,7						
10A(C)8,5X131	8,5	12,11	16,15	150	2000	101,7	111,7						
10A(C)9,8X131	9,8	13,97	18,62	120	2000	107	117						

* - These pumps - only under a special order

Rotation "A" - (anticlockwise)



Rotation "C" - (clockwise)

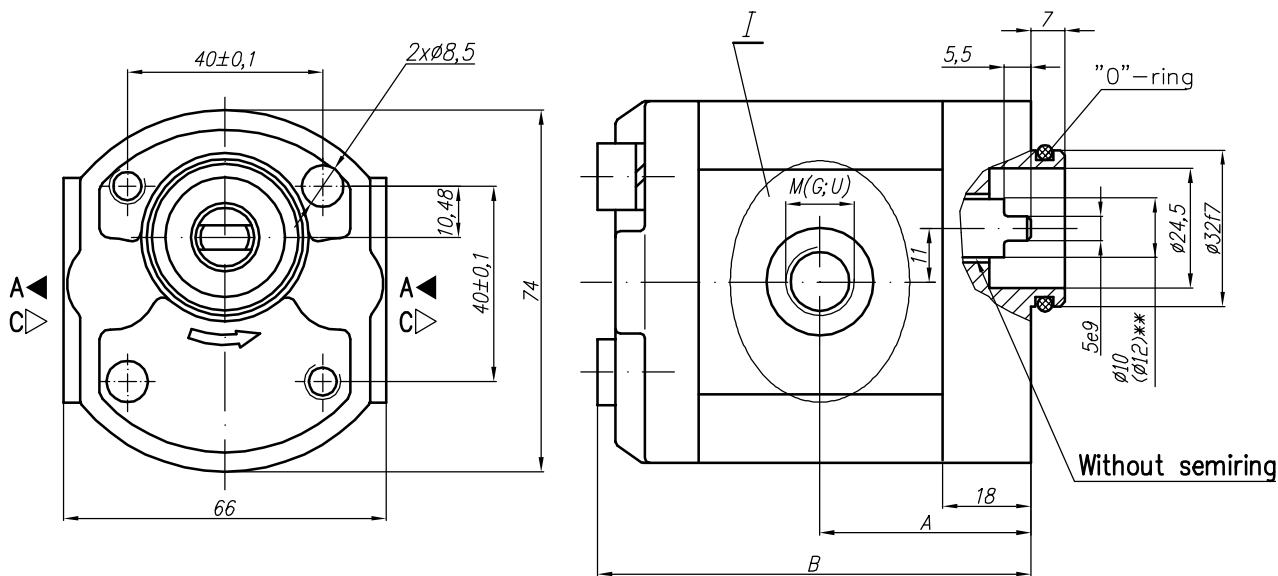


GEAR PUMP TYPE PGP 10A(C)...X135...

Type	Displacement cm ³ /rev	Flow		Pressure P _{nom} bar	max Speed n rpm	Dimension							
		at 1500 rpm l/min	at max rpm l/min			A mm	B mm	Inlet			Outlet		
								M	G	U	M	G	U
10A(C)1X135	1	1,40	3,26	250	3500	39,1	81	M16x1,5	G 3/8" - A	3/4" - 16UNF - 2B	M16x1,5	G 3/8" - A	9/16" - 18UNF - 2B
10A(C)1,25X135	1,25	1,74	4,07	250	3500	39,5	82						
10A(C)1,6X135	1,6	2,23	5,21	250	3500	40,3	83,6						
10A(C)2X135	2	2,82	6,58	250	3500	41,1	85,2						
10A(C)2,5X135	2,5	3,53	8,23	250	3500	42,1	87,2						
* 10A(C)2,65X135	2,65	3,74	8,72	250	3500	42,4	87,8	M20x1,5	G 1/2" - A	3/4" - 16UNF - 2B	M16x1,5	G 3/8" - A	9/16" - 18UNF - 2B
10A(C)3,15X135	3,15	4,44	10,36	250	3500	43,5	89,8						
10A(C)3,65X135	3,65	5,15	12,01	250	3500	44,4	91,9						
10A(C)4,2X135	4,2	5,92	13,82	250	3500	45,5	94,1						
* 10A(C)4,7X135	4,7	6,63	15,46	250	3500	46,1	96						
10A(C)5X135	5	7,05	14,10	250	3000	47,1	97,2	M22x1,5	G 1/2" - A	7/8" - 14UNF	M18x1,5	3/4" - 16UNF	
10A(C)5,7X135	5,7	8,12	16,25	200	3000	48,5	100,1						
10A(C)6,1X135	6,1	8,69	14,49	200	2500	49,4	101,8						
10A(C)7,4X135	7,4	10,55	17,58	180	2500	52,1	107,2						
* 10A(C)8X135	8	11,40	15,20	150	2000	53,4	109,7						
10A(C)8,5X135	8,5	12,11	16,15	150	2000	54,4	111,7						
10A(C)9,8X135	9,8	13,97	18,62	120	2000	57	117						

* - These pumps - only under a special order

** - Shaft dia is 10 mm for displ. 1 ... 6,1 ccm and 12 mm for displ. 7,4 ccm and more



I - variants

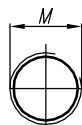
Variants:

...X 135 M - for M ports (see the picture I and the table below);

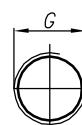
...X 135 G - for G ports (see the picture I and the table below);

...X 135 U - for U ports (see the picture I and the table below).

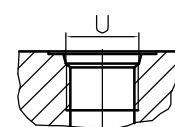
Variant M



Variant G



Variant U (SAEJ475 (ISO R725))



GEAR PUMP TYPE PGP 10A(C)...X142...

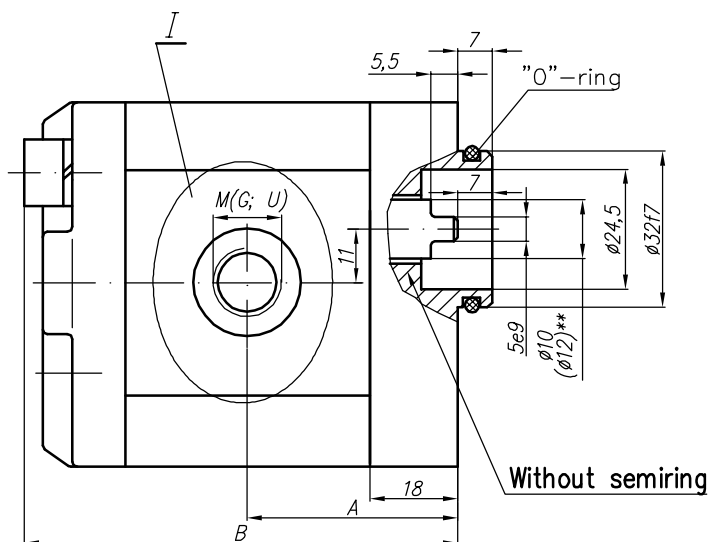
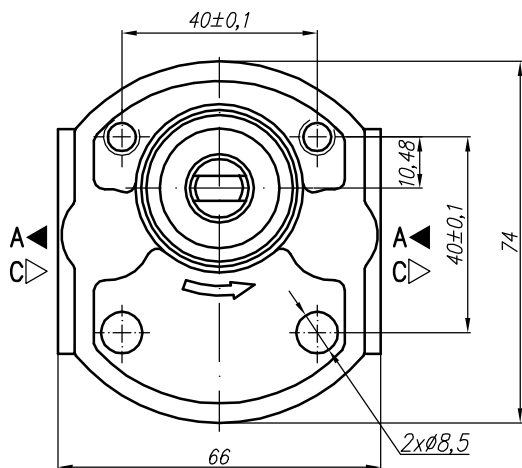
GROUP I

Type	Displacement cm ³ /rev	Flow		Pressure P _{nom} bar	max Speed n rpm	Dimension							
		at 1500 rpm l/min	at max rpm l/min			A mm	B mm	Inlet			Outlet		
								M	G	U	M	G	U
10A(C)1X142	1	1,40	3,26	250	3500	39,1	81	M16x1,5	G 3/8" - A	3/4" - 16UNF - 2B	M16x1,5	G 3/8" - A	9/16" - 18UNF - 2B
10A(C)1,25X142	1,25	1,74	4,07	250	3500	39,5	82						
10A(C)1,6X142	1,6	2,23	5,21	250	3500	40,3	83,6						
10A(C)2X142	2	2,82	6,58	250	3500	41,1	85,2						
10A(C)2,5X142	2,5	3,53	8,23	250	3500	42,1	87,2						
* 10A(C)2,65X142	2,65	3,74	8,72	250	3500	42,4	87,8	M20x1,5	G 1/2" - A	3/4" - 16UNF - 2B	M16x1,5	G 3/8" - A	9/16" - 18UNF - 2B
10A(C)3,15X142	3,15	4,44	10,36	250	3500	43,5	89,8						
10A(C)3,65X142	3,65	5,15	12,01	250	3500	44,4	91,9						
10A(C)4,2X142	4,2	5,92	13,82	250	3500	45,5	94,1						
* 10A(C)4,7X142	4,7	6,63	15,46	250	3500	46,1	96						
10A(C)5X142	5	7,05	14,10	250	3000	47,1	97,2	M22x1,5	G 1/2" - A	7/8" - 14UNF	M18x1,5	3/4" - 16UNF	
10A(C)5,7X142	5,7	8,12	16,25	200	3000	48,5	100,1						
10A(C)6,1X142	6,1	8,69	14,49	200	2500	49,4	101,8						
10A(C)7,4X142	7,4	10,55	17,58	180	2500	52,1	107,2						
* 10A(C)8X142	8	11,40	15,20	150	2000	53,4	109,7						
10A(C)8,5X142	8,5	12,11	16,15	150	2000	54,4	111,7						
10A(C)9,8X142	9,8	13,97	18,62	120	2000	57	117						

* - These pumps - only under a special order

** - Shaft dia is 10 mm for displ. 1 ... 6,1 ccm and 12 mm for displ. 7,4 ccm and more

The pump 10A(C)...X142 is a second section of multiple pump Gr.21.



I - variants

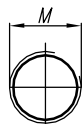
Variants:

...X142M - for M ports (see the picture I and the table below);

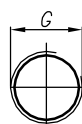
...X142G - for G ports (see the picture I and the table below);

...X142U - for U ports (see the picture I and the table below).

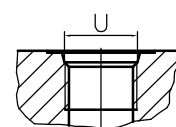
Variant M



Variant G



Variant U (SAEJ475 (ISO R725))



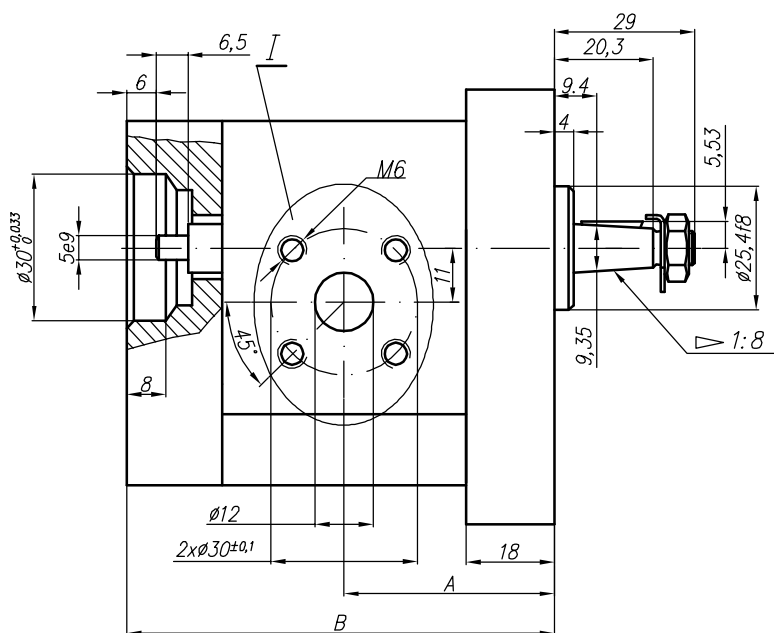
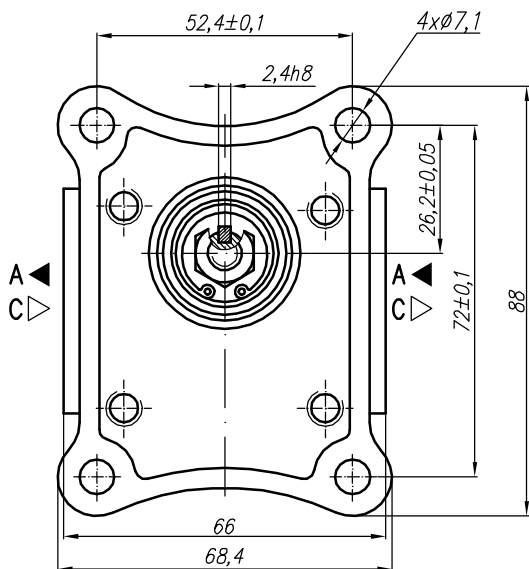
GEAR PUMP TYPE PGP 10A(C)...X174...

GROUP I

Type	Displacement cm ³ /rev	Flow		Pressure P _{nom} bar	max Speed n rpm	Dimension							
		at 1500 rpm l/min	at max rpm l/min			Inlet		Outlet					
						A mm	B mm	M	G	U	M	G	U
10A(C)1X174	1	1,40	3,26	250	3500	39,1	81	M16x1,5	G 3/8" - A	3/4" - 16UNF - 2B	M16x1,5	G 3/8" - A	9/16" - 18UNF - 2B
10A(C)1,25X174	1,25	1,74	4,07	250	3500	39,5	82						
10A(C)1,6X174	1,6	2,23	5,21	250	3500	40,3	83,6						
10A(C)2X174	2	2,82	6,58	250	3500	41,1	85,2						
10A(C)2,5X174	2,5	3,53	8,23	250	3500	42,1	87,2						
* 10A(C)2,65X174	2,65	3,74	8,72	250	3500	42,4	87,8	M20x1,5	G 1/2" - A	3/4" - 16UNF - 2B	M16x1,5	G 3/8" - A	9/16" - 18UNF - 2B
10A(C)3,15X174	3,15	4,44	10,36	250	3500	43,5	89,8						
10A(C)3,65X174	3,65	5,15	12,01	250	3500	44,4	91,9						
10A(C)4,2X174	4,2	5,92	13,82	250	3500	45,5	94,1						
* 10A(C)4,7X174	4,7	6,63	15,46	250	3500	46,1	96						
10A(C)5X174	5	7,05	14,10	250	3000	47,1	97,2	M22x1,5	G 1/2" - A	7/8" - 14UNF	M18x1,5	3/4" - 16UNF	
10A(C)5,7X174	5,7	8,12	16,25	200	3000	48,5	100,1						
10A(C)6,1X174	6,1	8,69	14,49	200	2500	49,4	101,8						
10A(C)7,4X174	7,4	10,55	17,58	180	2500	52,1	107,2						
* 10A(C)8X174	8	11,40	15,20	150	2000	53,4	109,7						
10A(C)8,5X174	8,5	12,11	16,15	150	2000	54,4	111,7						
10A(C)9,8X174	9,8	13,97	18,62	120	2000	57	117						

* - These pumps - only under a special order

The pump 10A(C)...X174 is a first section of multiple pump Gr.11.

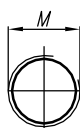


I - variants

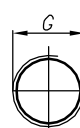
Variants:

- ...X174 - Normal version (flange);
- ...X174M - for M ports (see the picture I and the table below);
- ...X174G - for G ports (see the picture I and the table below);
- ...X174U - for U ports (see the picture I and the table below).

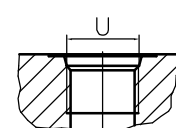
Variant M



Variant G



Variant U (SAEJ475 (ISO R725))

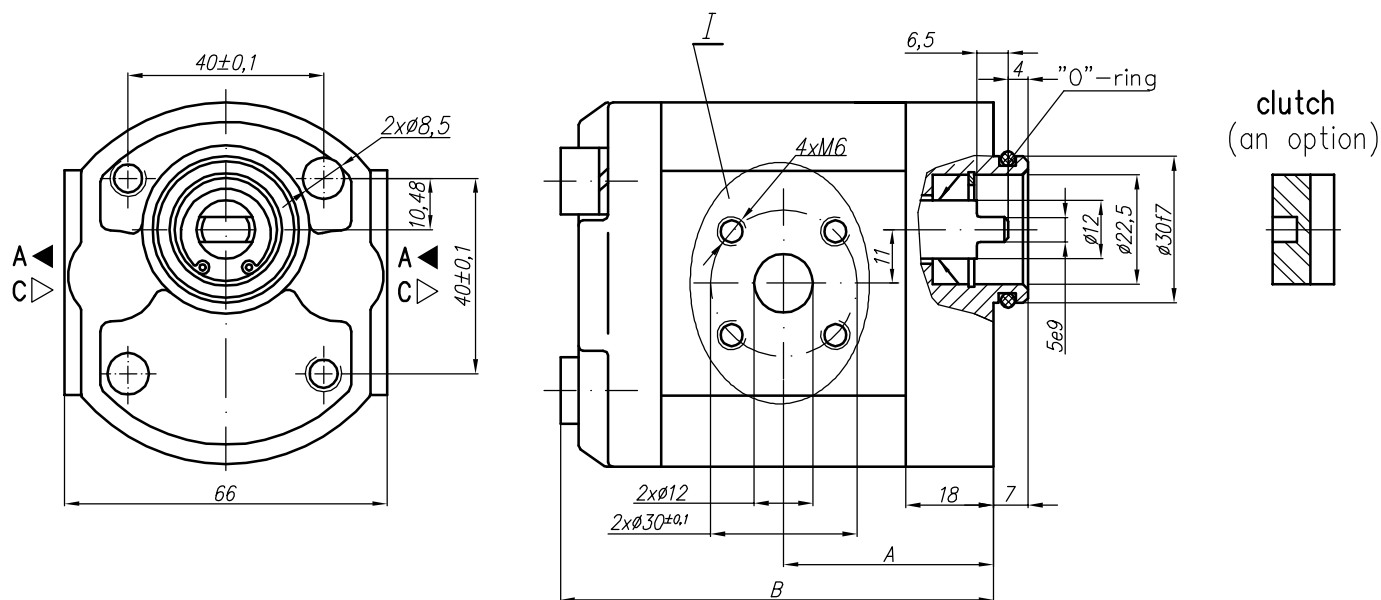


GEAR PUMP TYPE PGP 10A(C)...X175...

Type	Displacement cm ³ /rev	Flow		Pressure P _{nom} bar	max Speed n rpm	Dimension							
		at 1500 rpm l/min	at max rpm l/min			Inlet			Outlet				
						A mm	B mm	M	G	U	M	G	U
10A(C)1X175	1	1,40	3,26	250	3500	39,1	81	M16x1,5	G 3/8" - A	3/4" - 16UNF - 2B	M16x1,5	G 3/8" - A	9/16" - 18UNF - 2B
10A(C)1,25X175	1,25	1,74	4,07	250	3500	39,5	82						
10A(C)1,6X175	1,6	2,23	5,21	250	3500	40,3	83,6						
10A(C)2X175	2	2,82	6,58	250	3500	41,1	85,2						
10A(C)2,5X175	2,5	3,53	8,23	250	3500	42,1	87,2						
* 10A(C)2,65X175	2,65	3,74	8,72	250	3500	42,4	87,8	M20x1,5	G 1/2" - A	3/4" - 16UNF - 2B	M16x1,5	G 3/8" - A	9/16" - 18UNF - 2B
10A(C)3,15X175	3,15	4,44	10,36	250	3500	43,5	89,8						
10A(C)3,65X175	3,65	5,15	12,01	250	3500	44,4	91,9						
10A(C)4,2X175	4,2	5,92	13,82	250	3500	45,5	94,1						
* 10A(C)4,7X175	4,7	6,63	15,46	250	3500	46,1	96						
10A(C)5X175	5	7,05	14,10	250	3000	47,1	97,2	M22x1,5	G 1/2" - A	7/8" - 14UNF	M18x1,5	3/4" - 16UNF	
10A(C)5,7X175	5,7	8,12	16,25	200	3000	48,5	100,1						
10A(C)6,1X175	6,1	8,69	14,49	200	2500	49,4	101,8						
10A(C)7,4X175	7,4	10,55	17,58	180	2500	52,1	107,2						
* 10A(C)8X175	8	11,40	15,20	150	2000	53,4	109,7						
10A(C)8,5X175	8,5	12,11	16,15	150	2000	54,4	111,7						
10A(C)9,8X175	9,8	13,97	18,62	120	2000	57	117						

* - These pumps - only under a special order

The pump 10A(C)...X175 is a second section of multiple pump Gr.11.

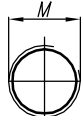


I - variants

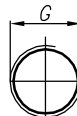
Variants:

- ...X175 - Normal version (flange);
- ...X175M - for M ports (see the picture I and the table below);
- ...X175G - for G ports (see the picture I and the table below);
- ...X175U - for U ports (see the picture I and the table below).

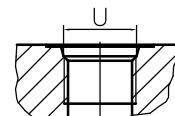
Variant M



Variant G



Variant U (SAEJ475 (ISO R725))

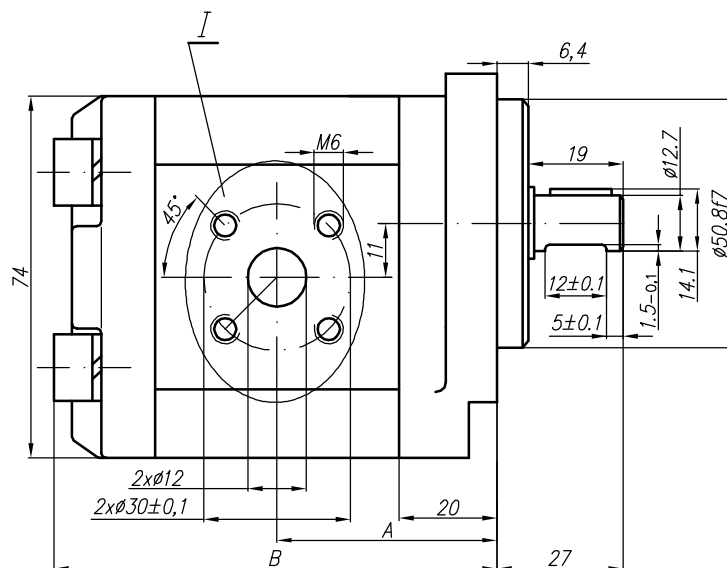
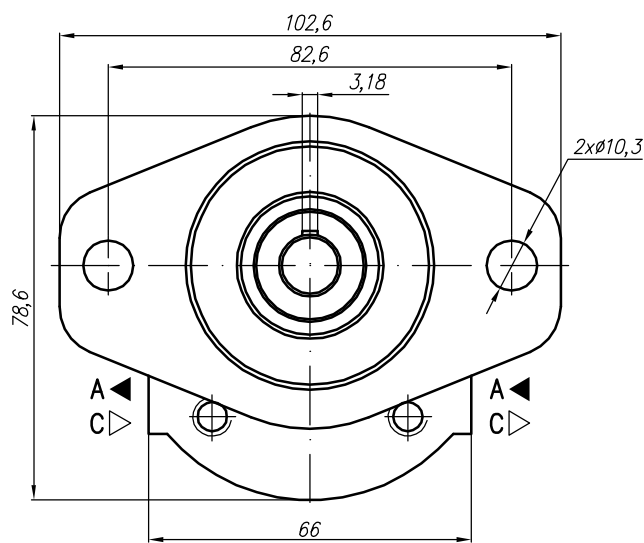


GEAR PUMP TYPE PGP 10A(C)...X176...

GROUP I

Type	Displacement cm ³ /rev	Flow		Pressure P _{nom} bar	max Speed n rpm	Dimension							
		at 1500 rpm l/min	at max rpm l/min			Inlet		Outlet					
						A mm	B mm	M	G	U	M	G	U
10A(C)1X176	1	1,40	3,26	250	3500	41,1	83	M16x1,5	G 3/8" - A	3/4" - 16UNF - 2B	M16x1,5	G 3/8" - A	9/16" - 18UNF - 2B
10A(C)1,25X176	1,25	1,74	4,07	250	3500	41,5	84						
10A(C)1,6X176	1,6	2,23	5,21	250	3500	42,3	85,6						
10A(C)2X176	2	2,82	6,58	250	3500	43,1	87,2						
10A(C)2,5X176	2,5	3,53	8,23	250	3500	44,1	89,2						
* 10A(C)2,65X176	2,65	3,74	8,72	250	3500	44,4	89,8	M20x1,5	G 1/2" - A	3/4" - 16UNF - 2B	M16x1,5	G 3/8" - A	9/16" - 18UNF - 2B
10A(C)3,15X176	3,15	4,44	10,36	250	3500	45,5	91,8						
10A(C)3,65X176	3,65	5,15	12,01	250	3500	46,4	93,9						
10A(C)4,2X176	4,2	5,92	13,82	250	3500	47,5	96,1						
* 10A(C)4,7X176	4,7	6,63	15,46	250	3500	48,5	98						
10A(C)5X176	5	7,05	14,10	250	3000	49,1	99,2	M22x1,5	G 1/2" - A	7/8" - 14UNF	M18x1,5	3/4" - 16UNF	
10A(C)5,7X176	5,7	8,12	16,25	200	3000	50,5	102						
10A(C)6,1X176	6,1	8,69	14,49	200	2500	51,4	103,8						
10A(C)7,4X176	7,4	10,55	17,58	180	2500	54,1	109,2						
* 10A(C)8X176	8	11,40	15,20	150	2000	55,4	111,7						
10A(C)8,5X176	8,5	12,11	16,15	150	2000	56,4	113,7						
10A(C)9,8X176	9,8	13,97	18,62	120	2000	59	119						

* - These pumps - only under a special order



I - variants

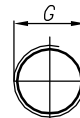
Variants:

- ...X176 - Normal version (flange);
- ...X176M - for M ports (see the picture I and the table below);
- ...X176G - for G ports (see the picture I and the table below);
- ...X176U - for U ports (see the picture I and the table below).

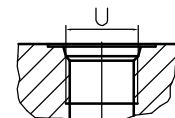
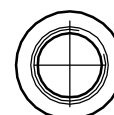
Variant M



Variant G



Variant U (SAEJ475 (ISO R725))



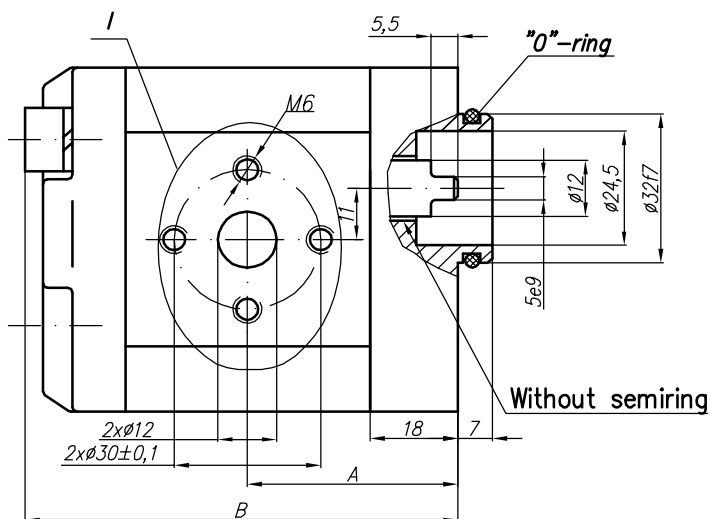
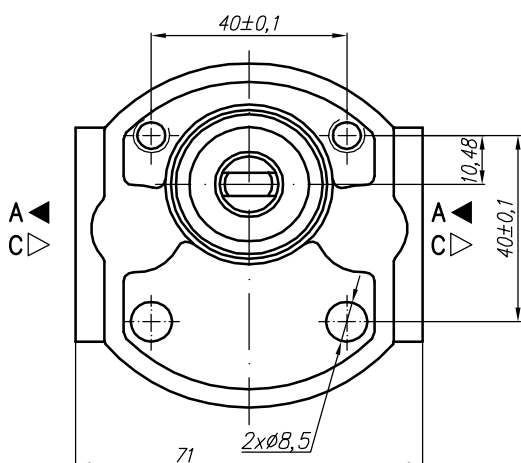
GEAR PUMP TYPE PGP 10A(C)...X179...

GROUP I

Type	Displacement cm ³ /rev	Flow		Pressure P _{nom} bar	max Speed n rpm	Dimension							
		at 1500 rpm l/min	at max rpm l/min			Inlet		Outlet					
						A mm	B mm	M	G	U	M	G	U
10A(C)1X179	1	1,40	3,26	250	3500	39,1	81	M16x1,5	G 3/8" - A	3/4" - 16UNF - 2B	M16x1,5	G 3/8" - A	9/16" - 18UNF - 2B
10A(C)1,25X179	1,25	1,74	4,07	250	3500	39,5	82						
10A(C)1,6X179	1,6	2,23	5,21	250	3500	40,3	83,6						
10A(C)2X179	2	2,82	6,58	250	3500	41,1	85,2						
10A(C)2,5X179	2,5	3,53	8,23	250	3500	42,1	87,2						
* 10A(C)2,65X179	2,65	3,74	8,72	250	3500	42,4	87,8	M20x1,5	G 1/2" - A	3/4" - 16UNF - 2B	M16x1,5	G 3/8" - A	9/16" - 18UNF - 2B
10A(C)3,15X179	3,15	4,44	10,36	250	3500	43,5	89,8						
10A(C)3,65X179	3,65	5,15	12,01	250	3500	44,4	91,9						
10A(C)4,2X179	4,2	5,92	13,82	250	3500	45,5	94,1	M22x1,5	G 1/2" - A	7/8" - 14UNF	M18x1,5	G 3/8" - A	3/4" - 16UNF
* 10A(C)4,7X179	4,7	6,63	15,46	250	3500	46,1	96						
10A(C)5X179	5	7,05	14,10	250	3000	47,1	97,2	M22x1,5	G 1/2" - A	7/8" - 14UNF	M18x1,5	G 3/8" - A	3/4" - 16UNF
10A(C)5,7X179	5,7	8,12	16,25	200	3000	48,5	100,1						
10A(C)6,1X179	6,1	8,69	14,49	200	2500	49,4	101,8						
10A(C)7,4X179	7,4	10,55	17,58	180	2500	52,1	107,2	M22x1,5	G 1/2" - A	7/8" - 14UNF	M18x1,5	G 3/8" - A	3/4" - 16UNF
* 10A(C)8X179	8	11,40	15,20	150	2000	53,4	109,7						
10A(C)8,5X179	8,5	12,11	16,15	150	2000	54,4	111,7	M22x1,5	G 1/2" - A	7/8" - 14UNF	M18x1,5	G 3/8" - A	3/4" - 16UNF
10A(C)9,8X179	9,8	13,97	18,62	120	2000	57	117						

* - These pumps - only under a special order

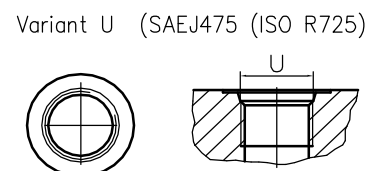
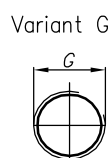
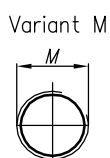
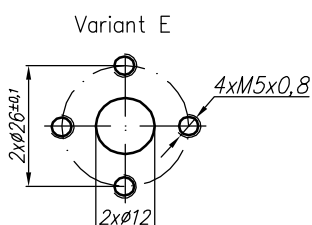
The pump 10A(C)...X179 is a second section of multiple pump Gr.21.



Variants:

- ...X179 - Normal version (flange);
- ...X179E - "Italy" ports (see the picture I and the table below)
- ...X179M - for M ports (see the picture I and the table below);
- ...X179G - for G ports (see the picture I and the table below);
- ...X179U - for U ports (see the picture I and the table below).

I – variants



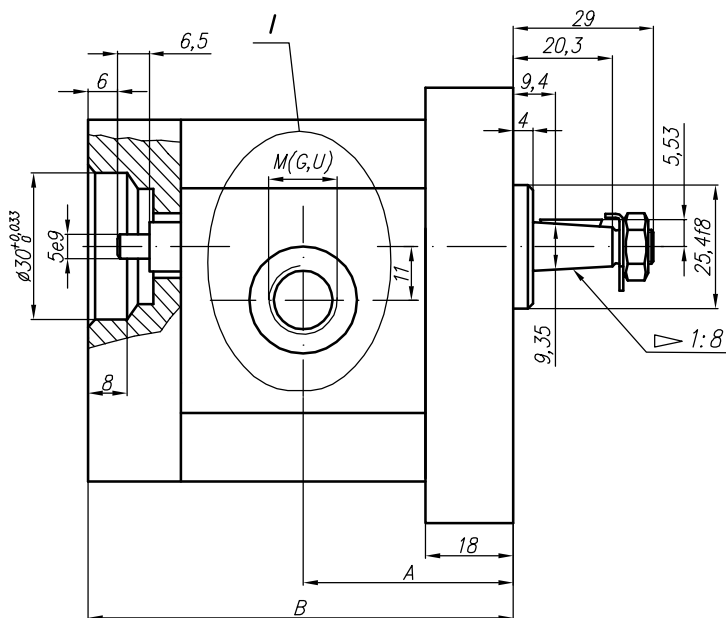
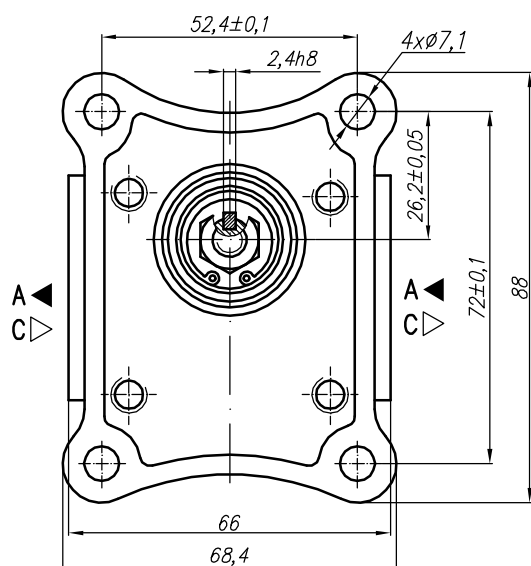
GEAR PUMP TYPE PGP 10A(C)...X181...

GROUP I

Type	Displacement cm ³ /rev	Flow		Pressure P _{nom} bar	max Speed n rpm	Dimension							
		at 1500 rpm l/min	at max rpm l/min			Inlet		Outlet					
						A mm	B mm	M	G	U	M	G	U
10A(C)1X181	1	1,40	3,26	250	3500	39,1	79	M16x1,5	G 3/8" - A	3/4" - 16UNF - 2B	M16x1,5	G 3/8" - A	9/16" - 18UNF - 2B
10A(C)1,25X181	1,25	1,74	4,07	250	3500	39,5	80						
10A(C)1,6X181	1,6	2,23	5,21	250	3500	40,3	81,6						
10A(C)2X181	2	2,82	6,58	250	3500	41,1	83,2						
10A(C)2,5X181	2,5	3,53	8,23	250	3500	42,1	85,2						
* 10A(C)2,65X181	2,65	3,74	8,72	250	3500	42,4	85,8	M20x1,5	G 1/2" - A	3/4" - 16UNF - 2B	M16x1,5	G 3/8" - A	9/16" - 18UNF - 2B
10A(C)3,15X181	3,15	4,44	10,36	250	3500	43,5	87,8						
10A(C)3,65X181	3,65	5,15	12,01	250	3500	44,4	89,9						
10A(C)4,2X181	4,2	5,92	13,82	250	3500	45,5	92,1						
* 10A(C)4,7X181	4,7	6,63	15,46	250	3500	46,1	94						
10A(C)5X181	5	7,05	14,10	250	3000	47,1	95,2	M22x1,5	G 1/2" - A	7/8" - 14UNF	M18x1,5	3/4" - 16UNF	
10A(C)5,7X181	5,7	8,12	16,25	200	3000	48,5	98,1						
10A(C)6,1X181	6,1	8,69	14,49	200	2500	49,4	99,8						
10A(C)7,4X181	7,4	10,55	17,58	180	2500	52,1	105,2						
* 10A(C)8X181	8	11,40	15,20	150	2000	53,4	107,7						
10A(C)8,5X181	8,5	12,11	16,15	150	2000	54,4	109,7						
10A(C)9,8X181	9,8	13,97	18,62	120	2000	57	115						

* - These pumps - only under a special order

The pump 10A(C)...X181 is a first section of a multiple pump Gr.11.

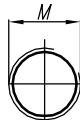


I - variants

Variants:

- ...X181M - for M ports (see the picture I and the table below);
- ...X181G - for G ports (see the picture I and the table below);
- ...X181U - for U ports (see the picture I and the table below).

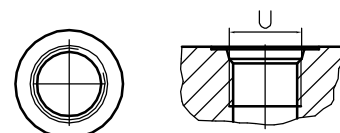
Variant M



Variant G



Variant U (SAEJ475 (ISO R725))



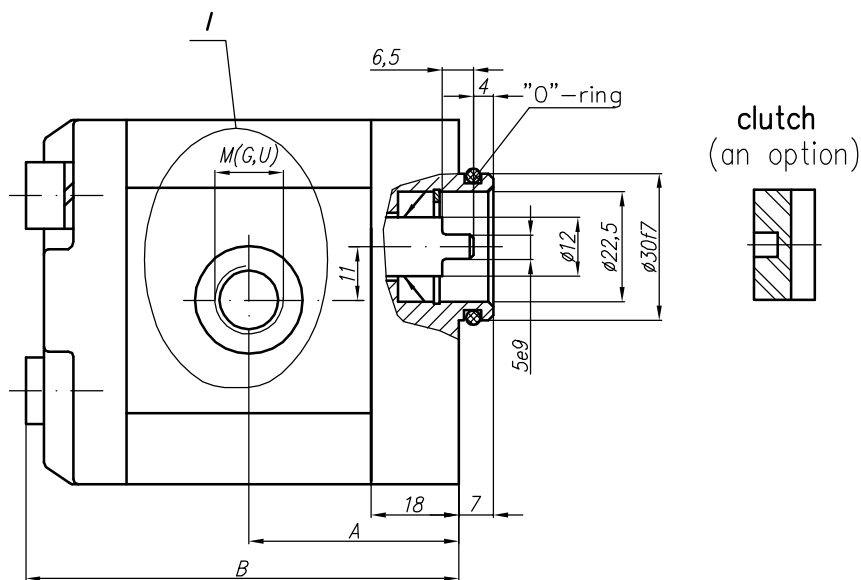
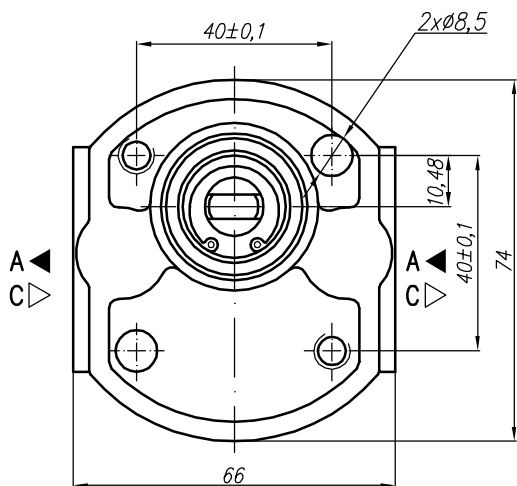
GEAR PUMP TYPE PGP 10A(C)...X182...

GROUP I

Type	Displacement cm ³ /rev	Flow		Pressure P _{nom} bar	max Speed n rpm	Dimension							
		at 1500 rpm l/min	at max rpm l/min			Inlet			Outlet				
						A mm	B mm	M	G	U	M	G	U
10A(C)1X182	1	1,40	3,26	250	3500	39,1	81	M16x1,5	G 3/8" - A	3/4" - 16UNF - 2B	M16x1,5	G 3/8" - A	9/16" - 18UNF - 2B
10A(C)1,25X182	1,25	1,74	4,07	250	3500	39,5	82						
10A(C)1,6X182	1,6	2,23	5,21	250	3500	40,3	83,6						
10A(C)2X182	2	2,82	6,58	250	3500	41,1	85,2						
10A(C)2,5X182	2,5	3,53	8,23	250	3500	42,1	87,2						
* 10A(C)2,65X182	2,65	3,74	8,72	250	3500	42,4	87,8	M20x1,5	G 1/2" - A	3/4" - 16UNF - 2B	M16x1,5	G 3/8" - A	9/16" - 18UNF - 2B
10A(C)3,15X182	3,15	4,44	10,36	250	3500	43,5	89,8						
10A(C)3,65X182	3,65	5,15	12,01	250	3500	44,4	91,9						
10A(C)4,2X182	4,2	5,92	13,82	250	3500	45,5	94,1						
* 10A(C)4,7X182	4,7	6,63	15,46	250	3500	46,1	96						
10A(C)5X182	5	7,05	14,10	250	3000	47,1	97,2	M22x1,5	G 1/2" - A	7/8" - 14UNF	M18x1,5	3/4" - 16UNF	
10A(C)5,7X182	5,7	8,12	16,25	200	3000	48,5	100,1						
10A(C)6,1X182	6,1	8,69	14,49	200	2500	49,4	101,8						
10A(C)7,4X182	7,4	10,55	17,58	180	2500	52,1	107,2						
* 10A(C)8X182	8	11,40	15,20	150	2000	53,4	109,7						
10A(C)8,5X182	8,5	12,11	16,15	150	2000	54,4	111,7						
10A(C)9,8X182	9,8	13,97	18,62	120	2000	57	117						

* - These pumps - only under a special order

The pump 10A(C)...X182 is a second section of a multiple pump Gr.11.



I - variants

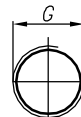
Variants:

- ...X182M - for M ports (see the picture I and the table below);
- ...X182G - for G ports (see the picture I and the table below);
- ...X182U - for U ports (see the picture I and the table below).

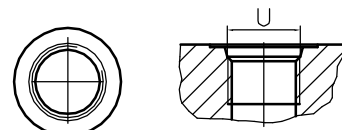
Variant M



Variant G



Variant U (SAEJ475 (ISO R725))

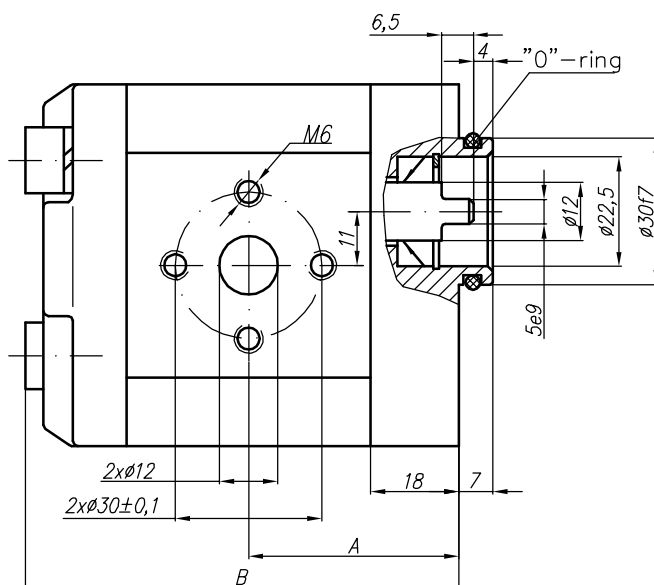
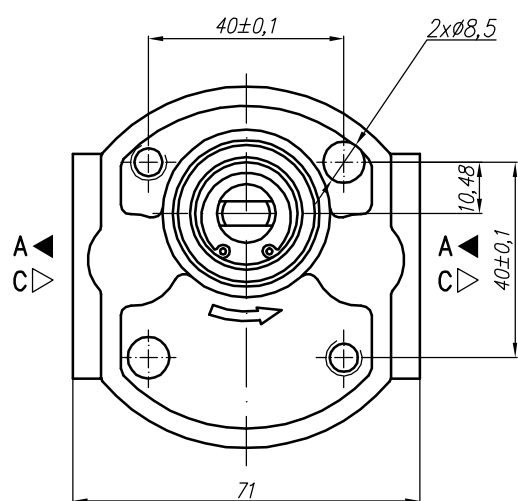


GEAR PUMP TYPE PGP 10A(C)...X231

Type	Displacement cm ³ /rev	Flow		Pressure P _{nom} bar	max Speed n rpm	Dimension							
		at 1500 rpm l/min	at max rpm l/min			A mm	B mm	Inlet			Outlet		
								E	F	d	E	F	d
10A(C)1X231	1	1,40	3,26	250	3500	39,1	79	ø30	ø12	M6	ø30	ø12	M6
10A(C)1,25X231	1,25	1,74	4,07	250	3500	39,5	80						
10A(C)1,6X231	1,6	2,23	5,21	250	3500	40,3	81,6						
10A(C)2X231	2	2,82	6,58	250	3500	41,1	83,2						
10A(C)2,5X231	2,5	3,53	8,23	250	3500	42,1	85,2						
* 10A(C)2,65X231	2,65	3,74	8,72	250	3500	42,4	85,8						
10A(C)3,15X231	3,15	4,44	10,36	250	3500	43,5	87,8						
10A(C)3,65X231	3,65	5,15	12,01	250	3500	44,4	89,9						
10A(C)4,2X231	4,2	5,92	13,82	250	3500	45,5	92,1						
* 10A(C)4,7X231	4,7	6,63	15,46	250	3500	46,1	94						
10A(C)5X231	5	7,05	14,10	250	3000	47,1	95,2						
10A(C)5,7X231	5,7	8,12	16,25	200	3000	48,5	98,1						
10A(C)6,1X231	6,1	8,69	14,49	200	2500	49,4	99,8						
10A(C)7,4X231	7,4	10,55	17,58	180	2500	52,1	105,2						
* 10A(C)8X231	8	11,40	15,20	150	2000	53,4	107,7						
10A(C)8,5X231	8,5	12,11	16,15	150	2000	54,4	109,7						
10A(C)9,8X231	9,8	13,97	18,62	120	2000	57	115						

* - These pumps - only under a special order

The pump 10A(C)...X231 is a second section of a multiple pump Gr.11.

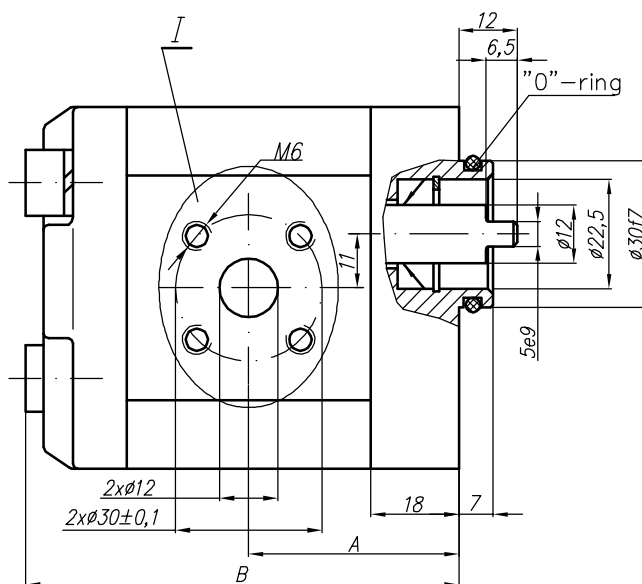
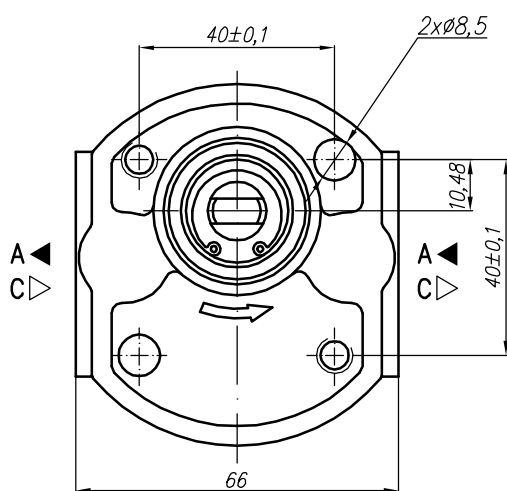


GEAR PUMP TYPE PGP 10A(C)...X238...

GROUP
I

Type	Displacement cm ³ /rev	Flow		Pressure P _{nom} bar	max Speed n rpm	Dimension							
		at 1500 rpm l/min	at max rpm l/min			Inlet		Outlet					
						A mm	B mm	M	G	U	M	G	U
10A(C)1X238	1	1,40	3,26	250	3500	39,1	81	M16x1,5	G 3/8" - A	3/4" - 16UNF - 2B	M16x1,5	G 3/8" - A	9/16" - 18UNF - 2B
10A(C)1,25X238	1,25	1,74	4,07	250	3500	39,5	82						
10A(C)1,6X238	1,6	2,23	5,21	250	3500	40,3	83,6						
10A(C)2X238	2	2,82	6,58	250	3500	41,1	85,2						
10A(C)2,5X238	2,5	3,53	8,23	250	3500	42,1	87,2						
* 10A(C)2,65X238	2,65	3,74	8,72	250	3500	42,4	87,8	M20x1,5	G 1/2" - A	3/4" - 16UNF - 2B	M16x1,5	G 3/8" - A	9/16" - 18UNF - 2B
10A(C)3,15X238	3,15	4,44	10,36	250	3500	43,5	89,8						
10A(C)3,65X238	3,65	5,15	12,01	250	3500	44,4	91,9						
10A(C)4,2X238	4,2	5,92	13,82	250	3500	45,5	94,1						
* 10A(C)4,7X238	4,7	6,63	15,46	250	3500	46,1	96						
10A(C)5X238	5	7,05	14,10	250	3000	47,1	97,2	M22x1,5	G 1/2" - A	7/8" - 14UNF	M18x1,5	3/4" - 16UNF	
10A(C)5,7X238	5,7	8,12	16,25	200	3000	48,5	100,1						
10A(C)6,1X238	6,1	8,69	14,49	200	2500	49,4	101,8						
10A(C)7,4X238	7,4	10,55	17,58	180	2500	52,1	107,2						
* 10A(C)8X238	8	11,40	15,20	150	2000	53,4	109,7						
10A(C)8,5X238	8,5	12,11	16,15	150	2000	54,4	111,7						
10A(C)9,8X238	9,8	13,97	18,62	120	2000	57	117						

* - These pumps - only under a special order

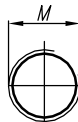


I - variants

Variants:

- ...X238 - Normal version (flange);
- ...X238M - for M ports (see the picture I and the table below);
- ...X238G - for G ports (see the picture I and the table below);
- ...X238U - for U ports (see the picture I and the table below).

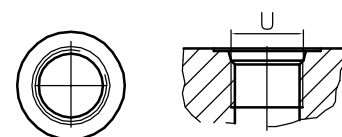
Variant M



Variant G



Variant U (SAEJ475 (ISO R725))

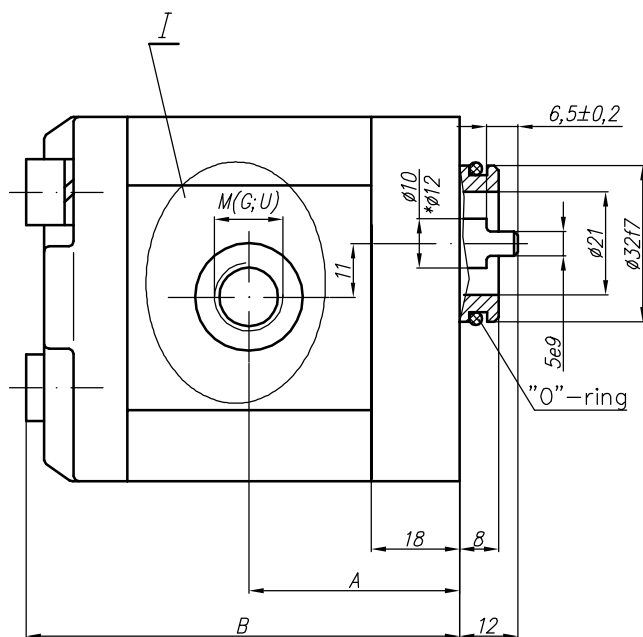
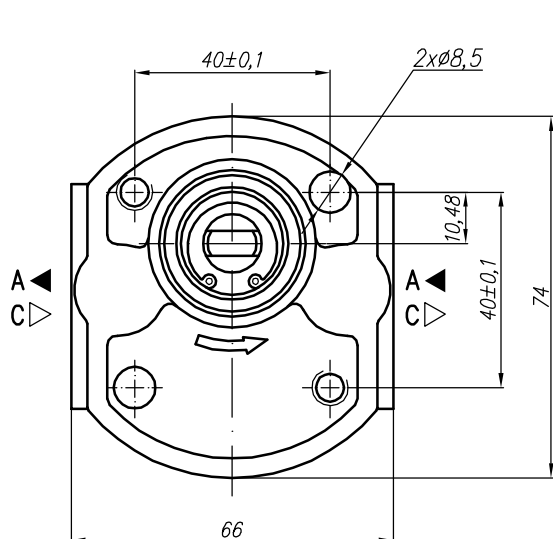


GEAR PUMP TYPE PGP 10A(C)...X244...

GROUP I

Type	Displacement cm ³ /rev	Flow		Pressure P _{nom} bar	max Speed n rpm	Dimension							
		at 1500 rpm l/min	at max rpm l/min			A mm	B mm	Inlet			Outlet		
								M	G	U	M	G	U
10A(C)1X244	1	1,40	3,26	250	3500	39,1	81	M16x1,5	G 3/8" - A	3/4" - 16UNF - 2B	M16x1,5	G 3/8" - A	9/16" - 18UNF - 2B
10A(C)1,25X244	1,25	1,74	4,07	250	3500	39,5	82						
10A(C)1,6X244	1,6	2,23	5,21	250	3500	40,3	83,6						
10A(C)2X244	2	2,82	6,58	250	3500	41,1	85,2						
10A(C)2,5X244	2,5	3,53	8,23	250	3500	42,1	87,2						
* 10A(C)2,65X244	2,65	3,74	8,72	250	3500	42,4	87,8	M20x1,5	G 1/2" - A	3/4" - 16UNF - 2B	M16x1,5	G 3/8" - A	9/16" - 18UNF - 2B
10A(C)3,15X244	3,15	4,44	10,36	250	3500	43,5	89,8						
10A(C)3,65X244	3,65	5,15	12,01	250	3500	44,4	91,9						
10A(C)4,2X244	4,2	5,92	13,82	250	3500	45,5	94,1	M22x1,5	G 1/2" - A	7/8" - 14UNF	M18x1,5	G 3/8" - A	3/4" - 16UNF
* 10A(C)4,7X244	4,7	6,63	15,46	250	3500	46,1	96						
10A(C)5X244	5	7,05	14,10	250	3000	47,1	97,2	M22x1,5	G 1/2" - A	7/8" - 14UNF	M18x1,5	G 3/8" - A	3/4" - 16UNF
10A(C)5,7X244	5,7	8,12	16,25	200	3000	48,5	100,1						
10A(C)6,1X244	6,1	8,69	14,49	200	2500	49,4	101,8	M22x1,5	G 1/2" - A	7/8" - 14UNF	M18x1,5	G 3/8" - A	3/4" - 16UNF
10A(C)7,4X244	7,4	10,55	17,58	180	2500	52,1	107,2						
* 10A(C)8X244	8	11,40	15,20	150	2000	53,4	109,7	M22x1,5	G 1/2" - A	7/8" - 14UNF	M18x1,5	G 3/8" - A	3/4" - 16UNF
10A(C)8,5X244	8,5	12,11	16,15	150	2000	54,4	111,7						
10A(C)9,8X244	9,8	13,97	18,62	120	2000	57	117	M22x1,5	G 1/2" - A	7/8" - 14UNF	M18x1,5	G 3/8" - A	3/4" - 16UNF

* - These pumps - only under a special order



I - variants

Variants:

...X244M - for M ports (see the picture I and the table below);

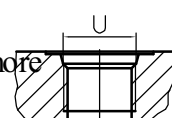
...X244G - for G ports (see the picture I and the table below);

...X244U - for U ports (see the picture I and the table below);

Variant M

Variant G

Variant U (SAEJ475 (ISO R725))



displ. 1 - 6,1 ccm and 12 mm for displ. 7,4 ccm and more

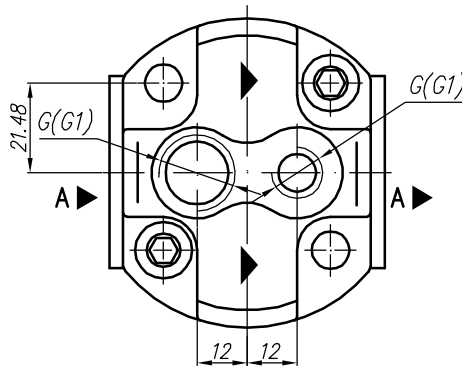
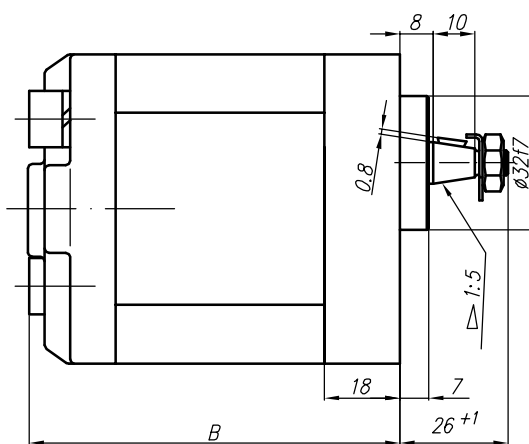
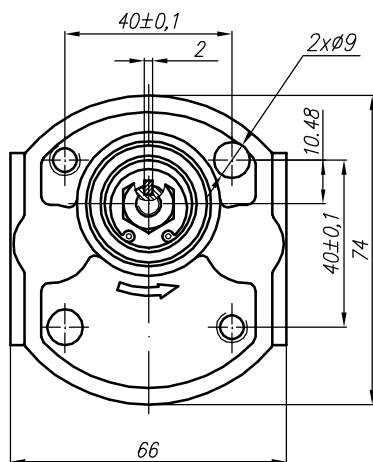
GEAR PUMP TYPE PGP 10A(C)...X254...

GROUP I

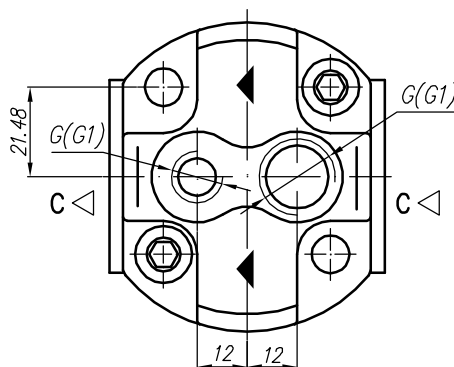
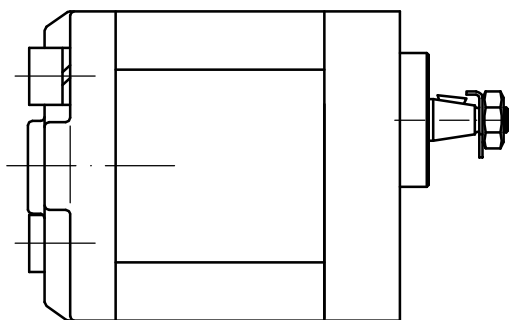
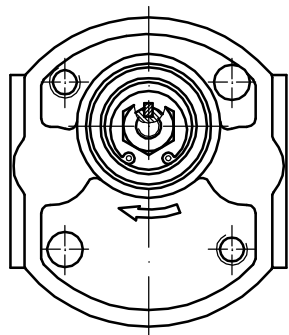
Type	Displacement cm ³ /rev	Flow		Pressure P _{nom} bar	max Speed n rpm	Dimension					
		at 1500 rpm l/min	at max rpm l/min			Inlet		Outlet			
		A	B			G	G ₁	G	G ₁		
10A(C)1X254	1	1,40	3,26	250	3500	71	81	G 1/4" - A	G 3/8" - A	G 1/4" - A	G 1/4" - A
10A(C)1,25X254	1,25	1,74	4,07	250	3500	72	82				
10A(C)1,6X254	1,6	2,23	5,21	250	3500	73,6	83,6				
10A(C)2X254	2	2,82	6,58	250	3500	75,2	85,2				
10A(C)2,5X254	2,5	3,53	8,23	250	3500	77,2	87,2				
* 10A(C)2,65X254	2,65	3,74	8,72	250	3500	77,8	87,8				
10A(C)3,15X254	3,15	4,44	10,36	250	3500	79,8	89,8				
10A(C)3,65X254	3,65	5,15	12,01	250	3500	81,9	91,9				
10A(C)4,2X254	4,2	5,92	13,82	250	3500	84,1	94,1				
* 10A(C)4,7X254	4,7	6,63	15,46	250	3500	87,1	96				
10A(C)5X254	5	7,05	14,10	250	3000	87,2	97,2	G 1/4" - A	G 3/8" - A	G 1/4" - A	G 1/4" - A
10A(C)5,7X254	5,7	8,12	16,25	200	3000	90,1	100,1				
10A(C)6,1X254	6,1	8,69	14,49	200	2500	91,8	101,8				
10A(C)7,4X254	7,4	10,55	17,58	180	2500	97,2	107,2				
* 10A(C)8X254	8	11,40	15,20	150	2000	99,7	109,7				
10A(C)8,5X254	8,5	12,11	16,15	150	2000	101,7	111,7				
10A(C)9,8X254	9,8	13,97	18,62	120	2000	107	117				

* - These pumps - only under a special order

Rotation "A" - (anticlockwise)



Rotation "C" - (clockwise)



Variants:

...X254G - for G ports (see the picture and the table);

...X254G1 - for G1 ports (see the picture and the table).

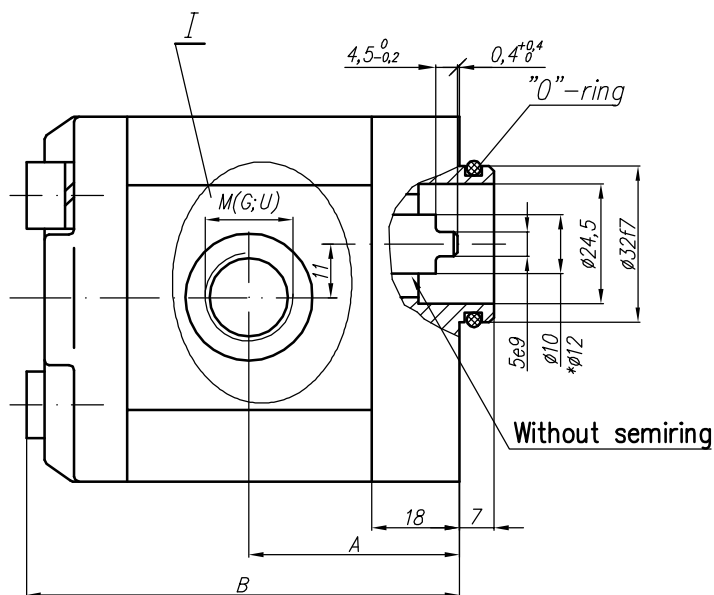
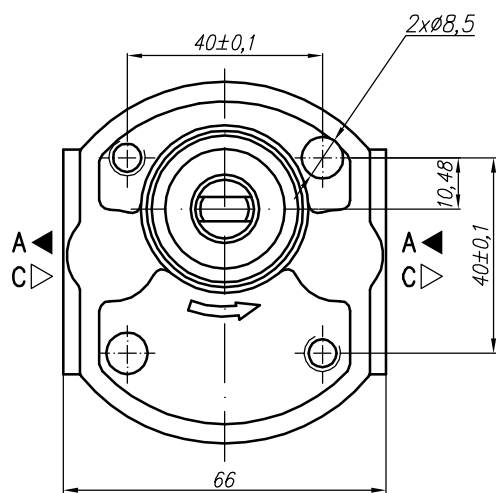
GEAR PUMP TYPE PGP 10A(C)...X255...

GROUP I

Type	Displacement cm ³ /rev	Flow		Pressure P _{nom} bar	max Speed n rpm	Dimension							
		at 1500 rpm l/min	at max rpm l/min			Inlet		Outlet					
		A	B			M	G	U	M	G	U		
10A(C)1X255	1	1,40	3,26	250	3500	39,1	81	M18x1,5	G 3/8" - A	3/4" - 16UNF - 2B	M14x1,5	G 3/8" - A	9/16" - 18UNF - 2B
10A(C)1,25X255	1,25	1,74	4,07	250	3500	39,5	82						
10A(C)1,6X255	1,6	2,23	5,21	250	3500	40,3	83,6						
10A(C)2X255	2	2,82	6,58	250	3500	41,1	85,2						
10A(C)2,5X255	2,5	3,53	8,23	250	3500	42,1	87,2						
* 10A(C)2,65X255	2,65	3,74	8,72	250	3500	42,4	87,8		G 1/2" - A				
10A(C)3,15X255	3,15	4,44	10,36	250	3500	43,5	89,8						
10A(C)3,65X255	3,65	5,15	12,01	250	3500	44,4	91,9						
10A(C)4,2X255	4,2	5,92	13,82	250	3500	45,5	94,1						
* 10A(C)4,7X255	4,7	6,63	15,46	250	3500	46,1	97,1						
10A(C)5X255	5	7,05	14,10	250	3000	47,1	97,2	M22x1,5	7/8" - 14UNF	M18x1,5	3/4" - 16UNF		
10A(C)5,7X255	5,7	8,12	16,25	200	3000	48,5	100,1						
10A(C)6,1X255	6,1	8,69	14,49	200	2500	49,4	101,8						
10A(C)7,4X255	7,4	10,55	17,58	180	2500	52,1	107,2						
* 10A(C)8X255	8	11,40	15,20	150	2000	53,4	109,7						
10A(C)8,5X255	8,5	12,11	16,15	150	2000	54,4	111,7						
10A(C)9,8X255	9,8	13,97	18,62	120	2000	57	117						

* - These pumps - only under a special order

** - Shaft dia is 10 mm for displ. 1 ... 6,1 ccm and 12 mm for displ. 7,4 ccm and more



I - variants

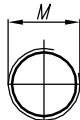
Variants:

...X255M - for M ports (see the picture I and the table below);

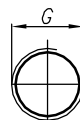
...X255G - for G ports (see the picture I and the table below);

...X255U - for U ports (see the picture I and the table below).

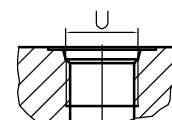
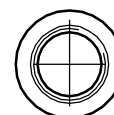
Variant M



Variant G



Variant U (SAEJ475 (ISO R725))



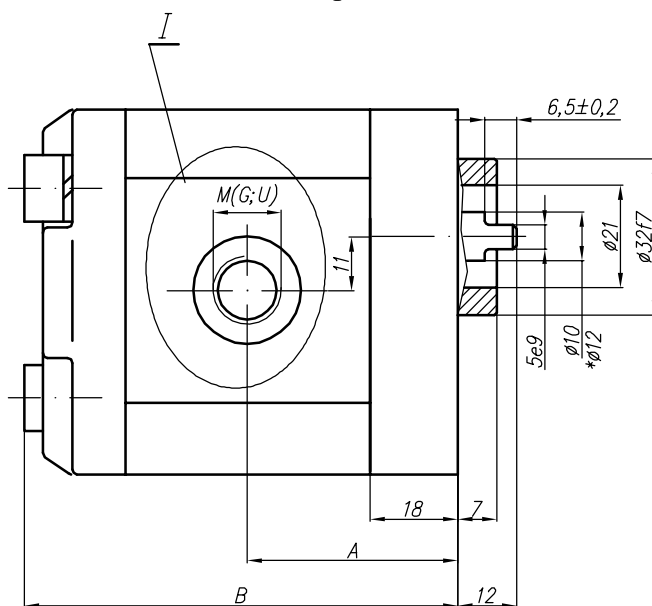
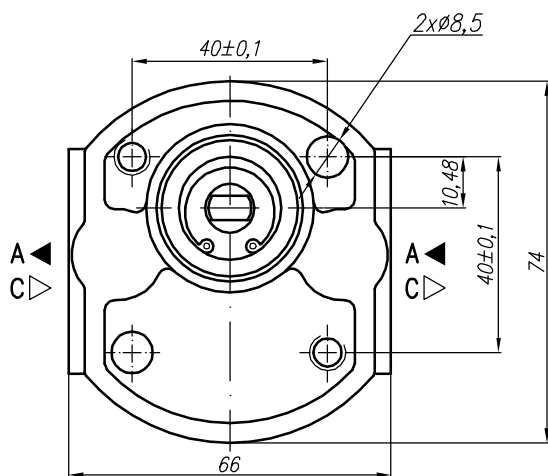
GEAR PUMP TYPE PGP 10A(C)...X278...

GROUP I

Type	Displacement cm ³ /rev	Flow		Pressure P _{nom} bar	max Speed n rpm	Dimension							
		at 1500 rpm l/min	at max rpm l/min			A mm	B mm	Inlet			Outlet		
								M	G	U	M	G	U
10A(C)1X278	1	1,40	3,26	250	3500	39,1	81	M16x1,5	G 3/8" - A	3/4" - 16UNF - 2B	M16x1,5	G 3/8" - A	9/16" - 18UNF - 2B
10A(C)1,25X278	1,25	1,74	4,07	250	3500	39,5	82						
10A(C)1,6X278	1,6	2,23	5,21	250	3500	40,3	83,6						
10A(C)2X278	2	2,82	6,58	250	3500	41,1	85,2						
10A(C)2,5X278	2,5	3,53	8,23	250	3500	42,1	87,2						
* 10A(C)2,65X278	2,65	3,74	8,72	250	3500	42,4	87,8	M20x1,5	G 1/2" - A	3/4" - 16UNF - 2B	M16x1,5	G 3/8" - A	9/16" - 18UNF - 2B
10A(C)3,15X278	3,15	4,44	10,36	250	3500	43,5	89,8						
10A(C)3,65X278	3,65	5,15	12,01	250	3500	44,4	91,9						
10A(C)4,2X278	4,2	5,92	13,82	250	3500	45,5	94,1						
* 10A(C)4,7X278	4,7	6,63	15,46	250	3500	46,1	96						
10A(C)5X278	5	7,05	14,10	250	3000	47,1	97,2	M22x1,5	G 1/2" - A	7/8" - 14UNF	M18x1,5	3/4" - 16UNF	
10A(C)5,7X278	5,7	8,12	16,25	200	3000	48,5	100,1						
10A(C)6,1X278	6,1	8,69	14,49	180	2500	49,4	101,8						
10A(C)7,4X278	7,4	10,55	17,58	180	2500	52,1	107,2						
* 10A(C)8X278	8	11,40	15,20	150	2000	53,4	109,7						
10A(C)8,5X278	8,5	12,11	16,15	150	2000	54,4	111,7						
10A(C)9,8X278	9,8	13,97	18,62	120	2000	57	117						

* - These pumps - only under a special order

** - Shaft dia is 10 mm for displ. 1 ... 6,1 ccm and 12 mm for displ. 7,4 ccm and more



I - variants

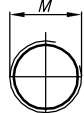
Variants:

...X278M - for M ports (see the picture I and the table below);

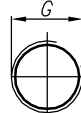
...X278G - for G ports (see the picture I and the table below);

...X278U - for U ports (see the picture I and the table below).

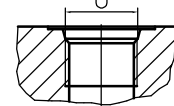
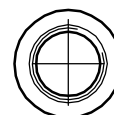
Variant M



Variant G



Variant U (SAEJ475 (ISO R725))



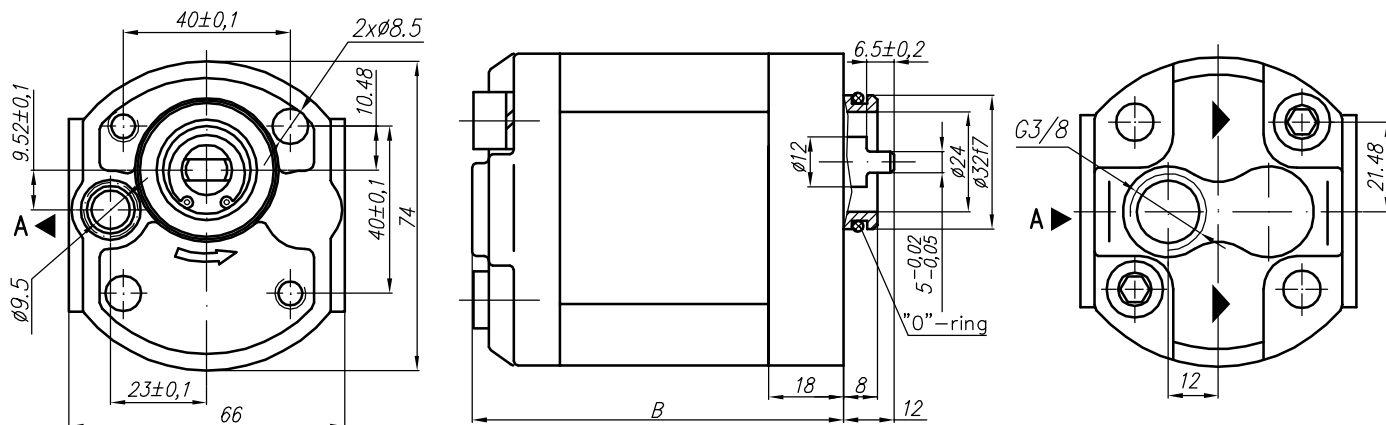
GEAR PUMP TYPE PGP 10A(C)...X302

GROUP I

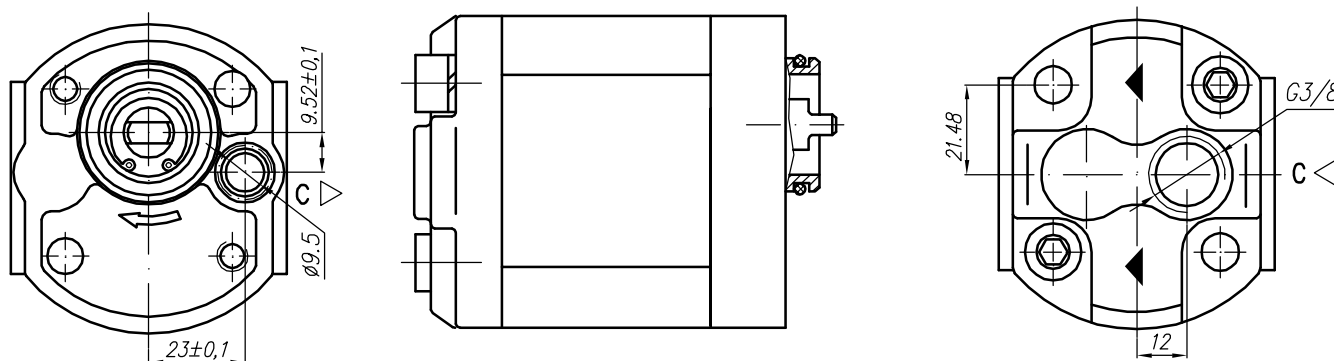
Type	Displacement cm ³ /rev	Flow		Pressure P _{nom} bar	max Speed n rpm	Dimension						
		at 1500 rpm l/min	at max rpm l/min			A mm	B mm	Inlet			Outlet	
								M	G	U		
10A(C)1X302	1	1,40	3,26	250	3500	71	81	G 3/8" - A				∅9,2
10A(C)1,25X302	1,25	1,74	4,07	250	3500	72	82					
10A(C)1,6X302	1,6	2,23	5,21	250	3500	73,6	83,6					
10A(C)2X302	2	2,82	6,58	250	3500	75,2	85,2					
10A(C)2,5X302	2,5	3,53	8,23	250	3500	77,2	87,2					
* 10A(C)2,65X302	2,65	3,74	8,72	250	3500	77,8	87,8					
10A(C)3,15X302	3,15	4,44	10,36	250	3500	79,8	89,8					
10A(C)3,65X302	3,65	5,15	12,01	250	3500	81,9	91,9					
10A(C)4,2X302	4,2	5,92	13,82	250	3500	84,1	94,1					
* 10A(C)4,7X302	4,7	6,63	15,46	250	3500	87,1	97,1					
10A(C)5X302	5	7,05	14,10	250	3000	87,2	97,2					
10A(C)5,7X302	5,7	8,12	16,25	200	3000	90,1	100,1					
10A(C)6,1X302	6,1	8,69	14,49	180	2500	91,8	101,8					
10A(C)7,4X302	7,4	10,55	17,58	180	2500	97,2	107,2					
* 10A(C)8X302	8	11,40	15,20	150	2000	99,7	109,7					
10A(C)8,5X302	8,5	12,11	16,15	150	2000	101,7	111,7					
10A(C)9,8X302	9,8	13,97	18,62	120	2000	107	117					

* - These pumps - only under a special order

Rotation "A" - (anticlockwise)



Rotation "C" - (clockwise)



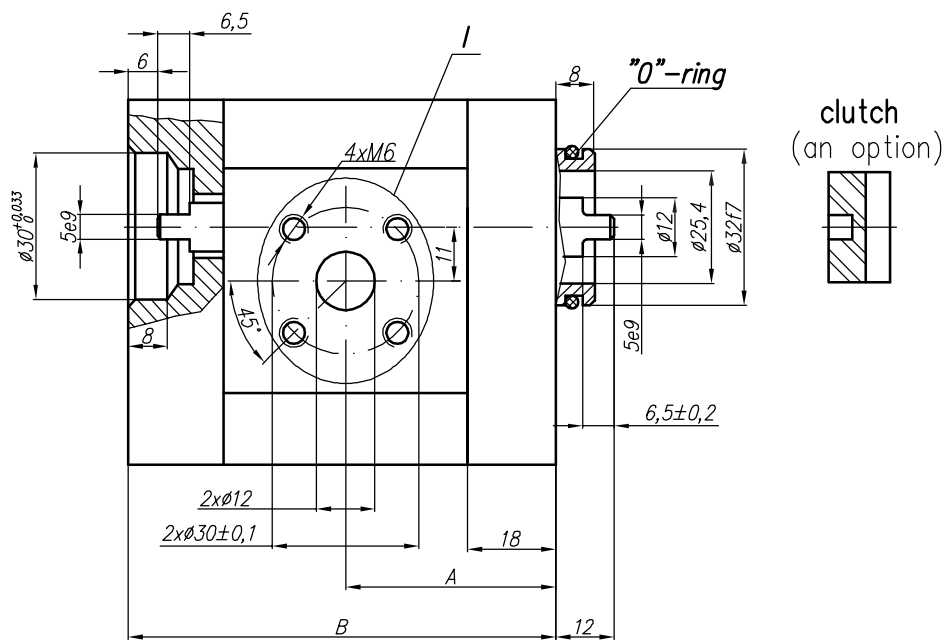
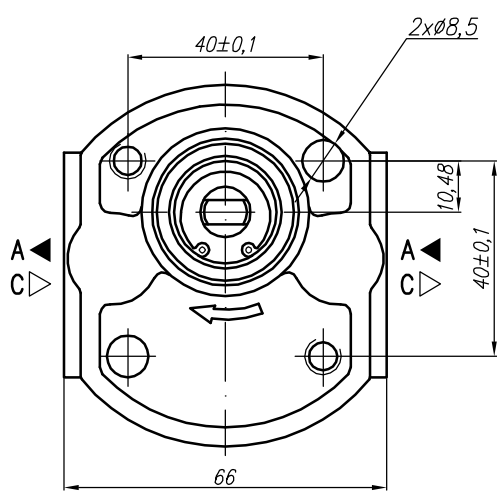
GEAR PUMP TYPE PGP 10A(C)...X303...

GROUP I

Type	Displacement cm ³ /rev	Flow		Pressure P _{nom} bar	max Speed n rpm	Dimension							
		at 1500 rpm l/min	at max rpm l/min			A		B		Inlet			Outlet
						mm	mm	M	G	U	M	G	U
10A(C)1X303	1	1,40	3,26	250	3500	39,1	79	M16x1,5	G 3/8" - A	3/4" - 16UNF - 2B	M16x1,5	G 3/8" - A	9/16" - 18UNF - 2B
10A(C)1,25X303	1,25	1,74	4,07	250	3500	39,5	80						
10A(C)1,6X303	1,6	2,23	5,21	250	3500	40,3	81,6						
10A(C)2X303	2	2,82	6,58	250	3500	41,1	83,2						
10A(C)2,5X303	2,5	3,53	8,23	250	3500	42,1	85,2						
* 10A(C)2,65X303	2,65	3,74	8,72	250	3500	42,4	85,8	M20x1,5	G 1/2" - A	3/4" - 16UNF - 2B	M16x1,5	G 3/8" - A	9/16" - 18UNF - 2B
10A(C)3,15X303	3,15	4,44	10,36	250	3500	43,5	87,8						
10A(C)3,65X303	3,65	5,15	12,01	250	3500	44,4	89,9						
10A(C)4,2X303	4,2	5,92	13,82	250	3500	45,5	92,1						
* 10A(C)4,7X303	4,7	6,63	15,46	250	3500	46,1	94						
10A(C)5X303	5	7,05	14,10	250	3000	47,1	95,2	M22x1,5	G 1/2" - A	7/8" - 14UNF	M18x1,5	3/4" - 16UNF	
10A(C)5,7X303	5,7	8,12	16,25	200	3000	48,5	98,1						
10A(C)6,1X303	6,1	8,69	14,49	200	2500	49,4	99,8						
10A(C)7,4X303	7,4	10,55	17,58	180	2500	52,1	105,2						
* 10A(C)8X303	8	11,40	15,20	150	2000	53,4	107,7						
10A(C)8,5X303	8,5	12,11	16,15	150	2000	54,4	109,7						
10A(C)9,8X303	9,8	13,97	18,62	120	2000	57	115						

* - These pumps - only under a special order

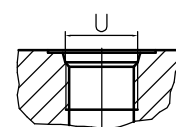
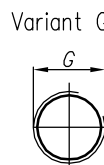
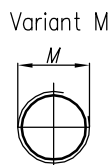
The pump 10A(C)...X303 is a first section of a multiple pump Gr. 11 for mini power packs.



I - variants

Variants:

- ...X303 - Normal version (flange);
- ...X303M - for M ports (see the picture I and the table below);
- ...X303G - for G ports (see the picture I and the table below);
- ...X303U - for U ports (see the picture I and the table below).

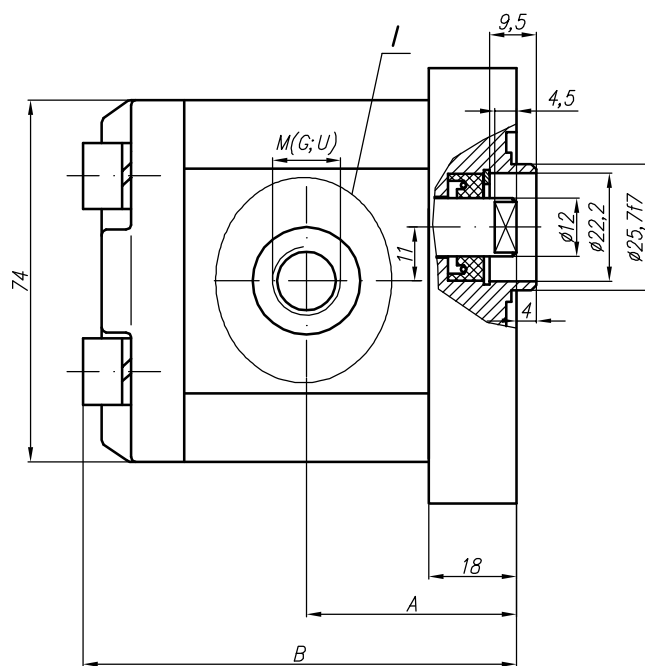
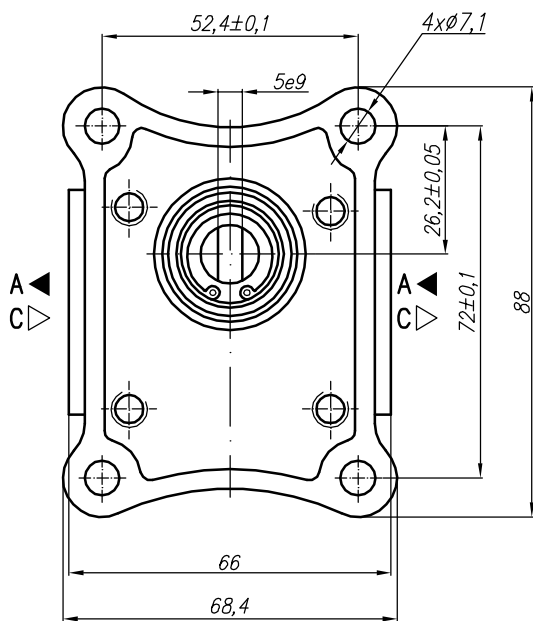


GEAR PUMP TYPE PGP 10A(C)...X317...

GROUP I

Type	Displacement cm ³ /rev	Flow		Pressure P _{nom} bar	max Speed n rpm	Dimension							
		at 1500 rpm l/min	at max rpm l/min			Inlet			Outlet				
		A	B			M	G	U	M	G	U		
10A(C)1X317	1	1,40	3,26	250	3500	39,1	81	M16x1,5	G 3/8" - A	3/4" - 16UNF - 2B	M16x1,5	G 3/8" - A	9/16" - 18UNF - 2B
10A(C)1,25X317	1,25	1,74	4,07	250	3500	39,5	82						
10A(C)1,6X317	1,6	2,23	5,21	250	3500	40,3	83,6						
10A(C)2X317	2	2,82	6,58	250	3500	41,1	85,2						
10A(C)2,5X317	2,5	3,53	8,23	250	3500	42,1	87,2						
* 10A(C)2,65X317	2,65	3,74	8,72	250	3500	42,4	87,8	M20x1,5	G 1/2" - A	3/4" - 16UNF - 2B	M16x1,5	G 3/8" - A	9/16" - 18UNF - 2B
10A(C)3,15X317	3,15	4,44	10,36	250	3500	43,5	89,8						
10A(C)3,65X317	3,65	5,15	12,01	250	3500	44,4	91,9						
10A(C)4,2X317	4,2	5,92	13,82	250	3500	45,5	94,1	M22x1,5	G 1/2" - A	7/8" - 14UNF	M18x1,5	G 3/8" - A	3/4" - 16UNF
* 10A(C)4,7X317	4,7	6,63	15,46	250	3500	46,1	96						
10A(C)5X317	5	7,05	14,10	250	3000	47,1	97,2	M22x1,5	G 1/2" - A	7/8" - 14UNF	M18x1,5	G 3/8" - A	3/4" - 16UNF
10A(C)5,7X317	5,7	8,12	16,25	200	3000	48,5	100,1						
10A(C)6,1X317	6,1	8,69	14,49	180	2500	49,4	101,8	M22x1,5	G 1/2" - A	7/8" - 14UNF	M18x1,5	G 3/8" - A	3/4" - 16UNF
10A(C)7,4X317	7,4	10,55	17,58	180	2500	52,1	107,2						
* 10A(C)8X317	8	11,40	15,20	150	2000	53,4	109,7	M22x1,5	G 1/2" - A	7/8" - 14UNF	M18x1,5	G 3/8" - A	3/4" - 16UNF
10A(C)8,5X317	8,5	12,11	16,15	150	2000	54,4	111,7						
10A(C)9,8X317	9,8	13,97	18,62	120	2000	57	117	M22x1,5	G 1/2" - A	7/8" - 14UNF	M18x1,5	G 3/8" - A	3/4" - 16UNF

* - These pumps - only under a special order

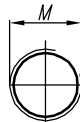


I - variants

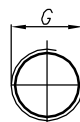
Variants:

- ...X317M - for M ports (see the picture I and the table below);
- ...X317G - for G ports (see the picture I and the table below);
- ...X317U - for U ports (see the picture I and the table below).

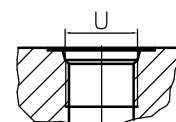
Variant M



Variant G



Variant U (SAEJ475 (ISO R725))

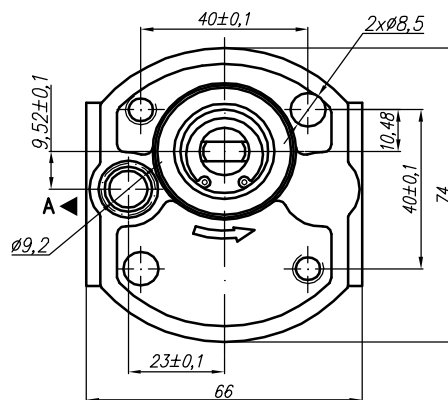
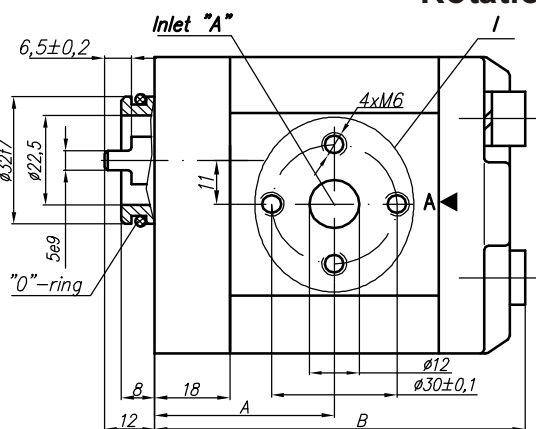


GEAR PUMP TYPE PGP 10A(C)...X330...

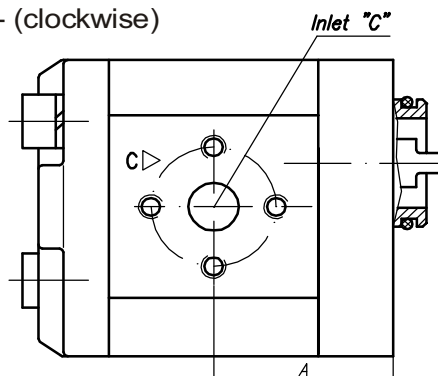
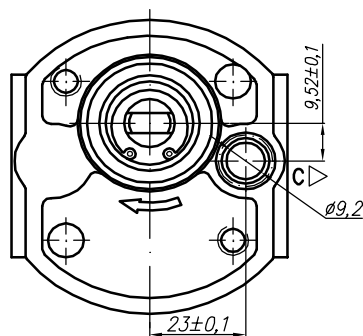
Type	Displacement cm ³ /rev	Flow		Pressure P _{nom} bar	max Speed n rpm	Dimension							
		at 1500 rpm l/min	at max rpm l/min			Inlet		Outlet					
						A mm	B mm	M	G	U	M	G	U
10A(C)1X330	1	1,40	3,26	250	3500	39,1	81	M16x1,5	G 3/8" - A	3/4" - 16UNF - 2B			
10A(C)1,25X330	1,25	1,74	4,07	250	3500	39,5	82						
10A(C)1,6X330	1,6	2,23	5,21	250	3500	40,3	83,6						
10A(C)2X330	2	2,82	6,58	250	3500	41,1	85,2						
10A(C)2,5X330	2,5	3,53	8,23	250	3500	42,1	87,2						
* 10A(C)2,65X330	2,65	3,74	8,72	250	3500	42,4	87,8						
10A(C)3,15X330	3,15	4,44	10,36	250	3500	43,5	89,8	M20x1,5	G 1/2" - A	3/4" - 16UNF - 2B			
10A(C)3,65X330	3,65	5,15	12,01	250	3500	44,4	91,9						
10A(C)4,2X330	4,2	5,92	13,82	250	3500	45,5	94,1						
* 10A(C)4,7X330	4,7	6,63	15,46	250	3500	46,1	96						
10A(C)5X330	5	7,05	14,10	250	3000	47,1	97,2	M22x1,5	G 1/2" - A	7/8" - 14UNF			
10A(C)5,7X330	5,7	8,12	16,25	200	3000	48,5	100,1						
10A(C)6,1X330	6,1	8,69	14,49	180	2500	49,4	101,8						
10A(C)7,4X330	7,4	10,55	17,58	180	2500	52,1	107,2						
* 10A(C)8X330	8	11,40	15,20	150	2000	53,4	109,7						
10A(C)8,5X330	8,5	12,11	16,15	150	2000	54,4	111,7						
10A(C)9,8X330	9,8	13,97	18,62	120	2000	57	117						

* - These pumps - only under a special order

Rotation "A" - (anticlockwise)

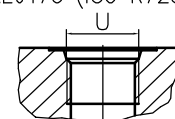
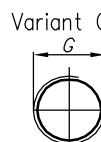
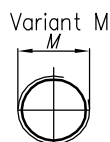


Rotation "C" - (clockwise)



I - variants (inlet only)

- Variants:**
 ...X330 - Normal version (flange);
 ...X330M - for M port (see the picture I and the table below);
 ...X330G - for G port (see the picture I and the table below);
 ...X330U - for U port (see the picture I and the table below).



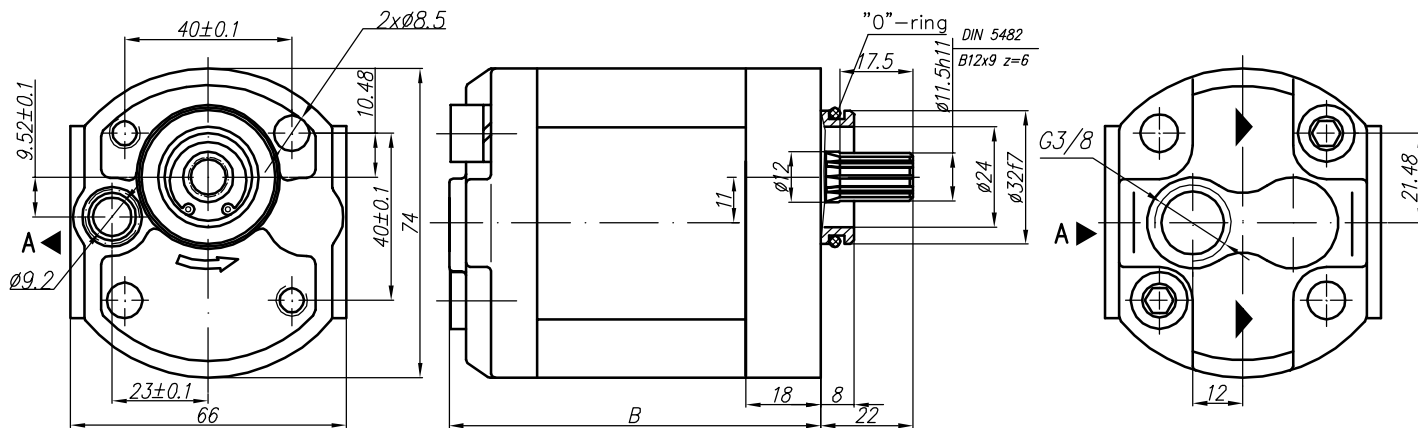
GEAR PUMP TYPE PGP 10A(C)...X340

GROUP I

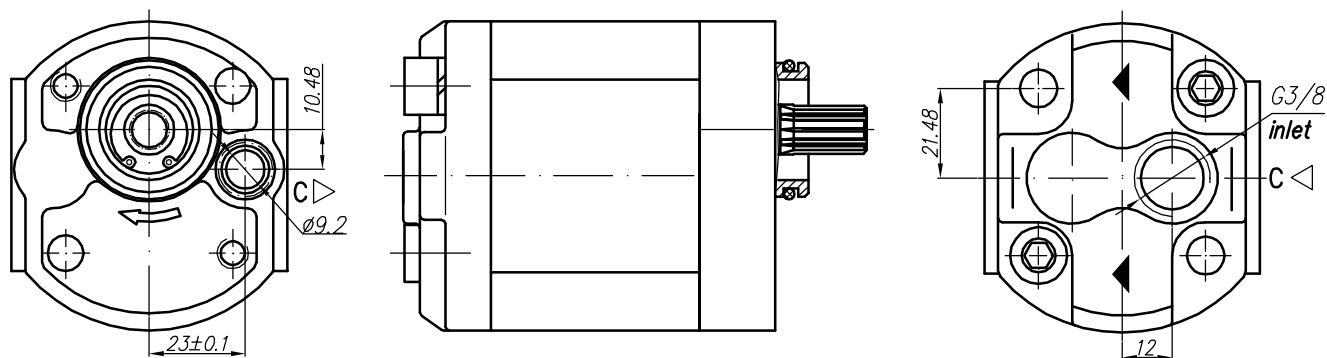
Type	Displacement cm ³ /rev	Flow		Pressure P _{nom} bar	max Speed n rpm	Dimension						
		at 1500 rpm l/min	at max rpm l/min			Inlet			Outlet			
						A mm	B mm	M	G	U		
10A(C)1X340	1	1,40	3,26	250	3500		81	G 3/8" - A				ø9,2
10A(C)1,25X340	1,25	1,74	4,07	250	3500		82					
10A(C)1,6X340	1,6	2,23	5,21	250	3500		83,6					
10A(C)2X340	2	2,82	6,58	250	3500		85,2					
10A(C)2,5X340	2,5	3,53	8,23	250	3500		87,2					
* 10A(C)2,65X340	2,65	3,74	8,72	250	3500		87,8					
10A(C)3,15X340	3,15	4,44	10,36	250	3500		89,8					
10A(C)3,65X340	3,65	5,15	12,01	250	3500		91,9					
10A(C)4,2X340	4,2	5,92	13,82	250	3500		94,1					
* 10A(C)4,7X340	4,7	6,63	15,46	250	3500		97,1					
10A(C)5X340	5	7,05	14,10	250	3000		97,2					
10A(C)5,7X340	5,7	8,12	16,25	200	3000		100,1					
10A(C)6,1X340	6,1	8,69	14,49	180	2500		101,8					
10A(C)7,4X340	7,4	10,55	17,58	180	2500		107,2					
* 10A(C)8X340	8	11,40	15,20	150	2000		109,7					
10A(C)8,5X340	8,5	12,11	16,15	150	2000		111,7					
10A(C)9,8X340	9,8	13,97	18,62	120	2000		117					

* - These pumps - only under a special order

Rotation "A" - (anticlockwise)



Rotation "C" - (clockwise)



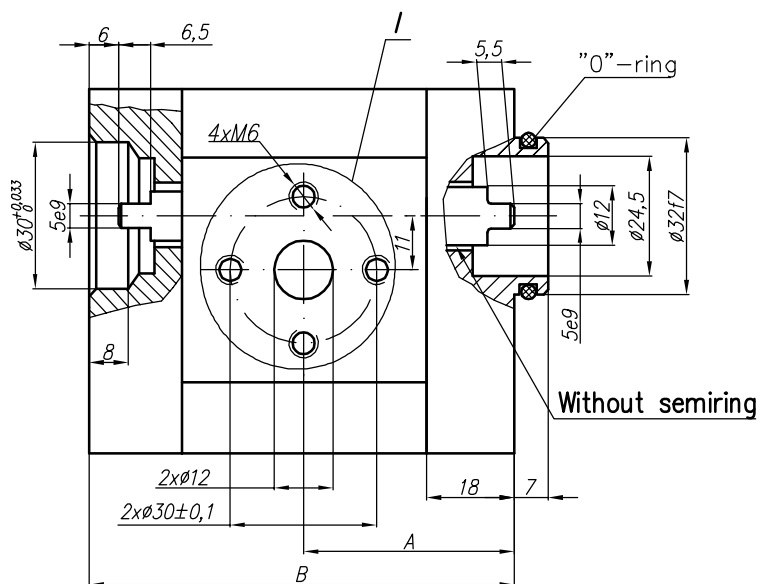
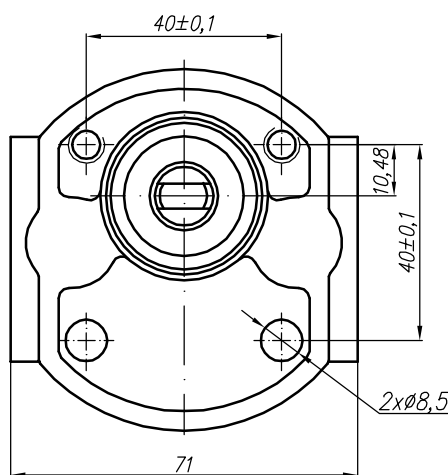
GEAR PUMP TYPE PGP 10A(C)...X343...

GROUP I

Type	Displacement cm ³ /rev	Flow		Pressure P _{nom} bar	max Speed n rpm	Dimension							
		at 1500 rpm l/min	at max rpm l/min			Inlet			Outlet				
						A mm	B mm	M	G	U	M	G	U
10A(C)1X343	1	1,40	3,26	250	3500	39,1	79	M16x1,5	G 3/8" - A	3/4" - 16UNF - 2B	M16x1,5	G 3/8" - A	9/16" - 18UNF - 2B
10A(C)1,25X343	1,25	1,74	4,07	250	3500	39,5	80						
10A(C)1,6X343	1,6	2,23	5,21	250	3500	40,3	81,6						
10A(C)2X343	2	2,82	6,58	250	3500	41,1	83,2						
10A(C)2,5X343	2,5	3,53	8,23	250	3500	42,1	85,2						
* 10A(C)2,65X343	2,65	3,74	8,72	250	3500	42,4	85,8	M20x1,5	G 1/2" - A	3/4" - 16UNF - 2B	M16x1,5	G 3/8" - A	9/16" - 18UNF - 2B
10A(C)3,15X343	3,15	4,44	10,36	250	3500	43,5	87,8						
10A(C)3,65X343	3,65	5,15	12,01	250	3500	44,4	89,9						
10A(C)4,2X343	4,2	5,92	13,82	250	3500	45,5	92,1						
* 10A(C)4,7X343	4,7	6,63	15,46	250	3500	46,1	94						
10A(C)5X343	5	7,05	14,10	250	3000	47,1	95,2	M22x1,5	G 1/2" - A	7/8" - 14UNF	M18x1,5	3/4" - 16UNF	
10A(C)5,7X343	5,7	8,12	16,25	200	3000	48,5	98,1						
10A(C)6,1X343	6,1	8,69	14,49	200	2500	49,4	99,8						
10A(C)7,4X343	7,4	10,55	17,58	180	2500	52,1	105,2						
* 10A(C)8X343	8	11,40	15,20	150	2000	53,4	107,7						
10A(C)8,5X343	8,5	12,11	16,15	150	2000	54,4	109,7						
10A(C)9,8X343	9,8	13,97	18,62	120	2000	57	115						

* - These pumps - only under a special order

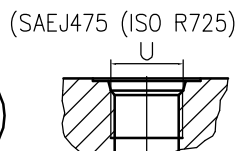
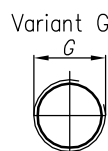
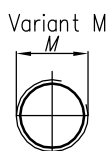
The pump 10A(C)...X343 is a middle section of a multiple pump Gr. 211 or 311.



Variants:

- ...X343 - Normal version (flange);
- ...X343M - for M ports (see the picture I and the table below);
- ...X343G - for G ports (see the picture I and the table below);
- ...X343U - for U ports (see the picture I and the table below).

I - variants



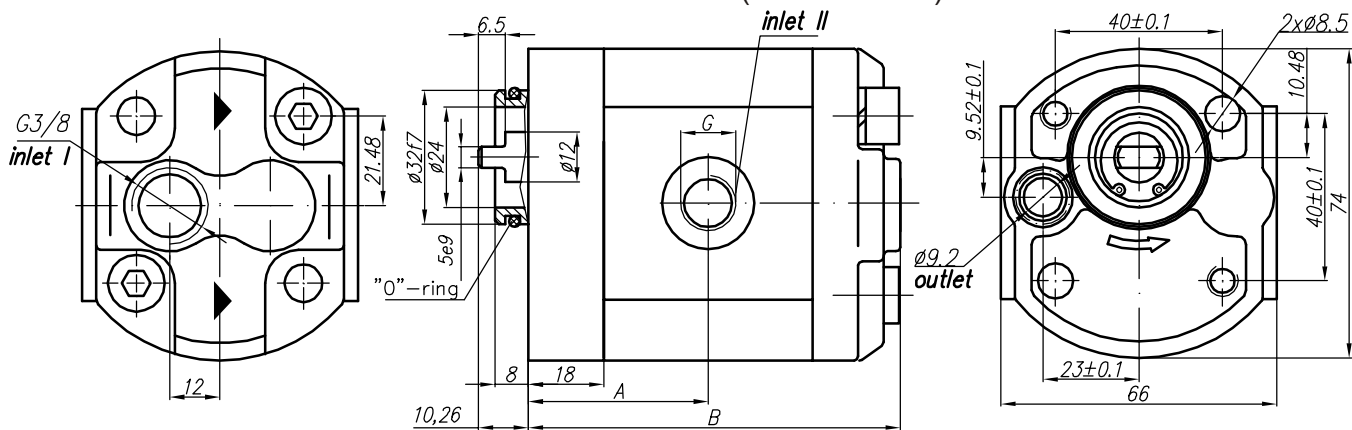
GEAR PUMP TYPE PGP 10A(C)...X348

GROUP I

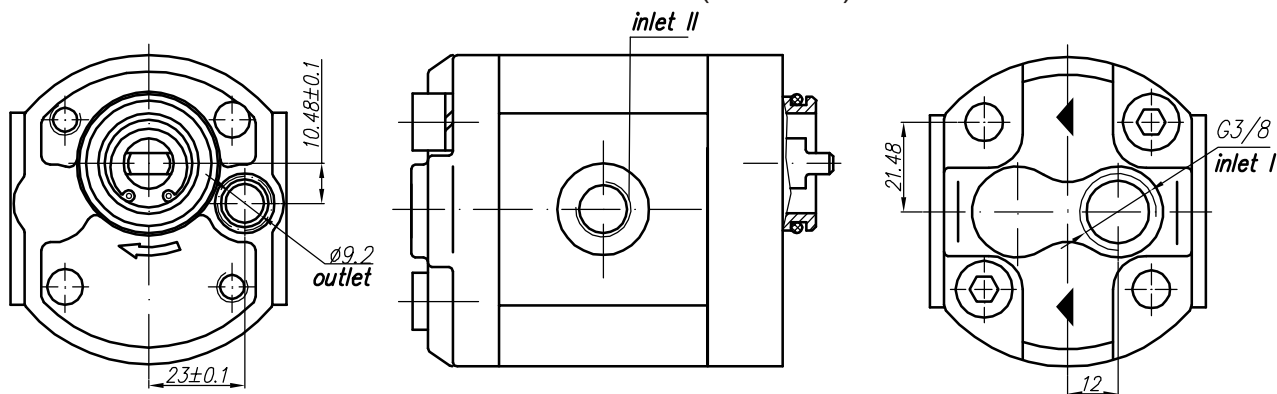
Type	Displacement cm ³ /rev	Flow		Pressure P _{nom} bar	max Speed n rpm	Dimension						
		at 1500 rpm l/min	at max rpm l/min			Inlet		Outlet				
10A(C)1X348	1	1,40	3,26	250	3500	39,1	81	G 3/8" - A	G 1/4" - A	Ø9,2		
10A(C)1,25X348	1,25	1,74	4,07	250	3500	39,5	82					
10A(C)1,6X348	1,6	2,23	5,21	250	3500	40,3	83,6					
10A(C)2X348	2	2,82	6,58	250	3500	41,1	85,2					
10A(C)2,5X348	2,5	3,53	8,23	250	3500	42,1	87,2					
* 10A(C)2,65X348	2,65	3,74	8,72	250	3500	42,4	87,8					
10A(C)3,15X348	3,15	4,44	10,36	250	3500	43,5	89,8					
10A(C)3,65X348	3,65	5,15	12,01	250	3500	44,4	91,9					
10A(C)4,2X348	4,2	5,92	13,82	250	3500	45,5	94,1					
* 10A(C)4,7X348	4,7	6,63	15,46	250	3500	46,1	97,1					
10A(C)5X348	5	7,05	14,10	250	3000	47,1	97,2	G 3/8" - A				
10A(C)5,7X348	5,7	8,12	16,25	200	3000	48,5	100,1					
10A(C)6,1X348	6,1	8,69	14,49	180	2500	49,4	101,8	G 3/8" - A				
10A(C)7,4X348	7,4	10,55	17,58	180	2500	52,1	107,2					
* 10A(C)8X348	8	11,40	15,20	150	2000	53,4	109,7	G 3/8" - A				
10A(C)8,5X348	8,5	12,11	16,15	150	2000	54,4	111,7					
10A(C)9,8X348	9,8	13,97	18,62	120	2000	57	117					

* - These pumps - only under a special order

Rotation "A" - (anticlockwise)



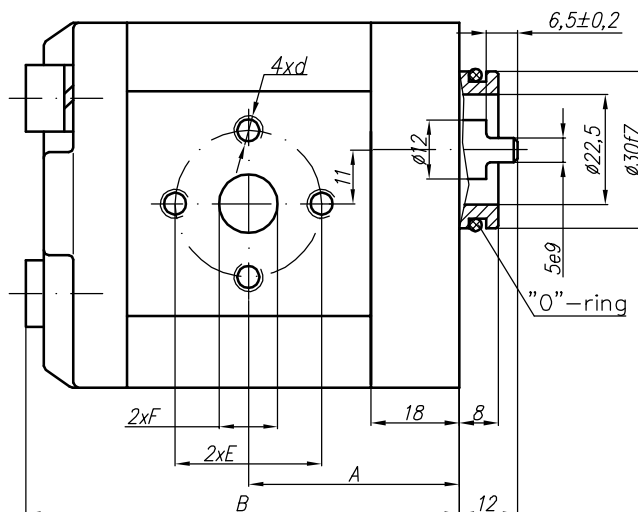
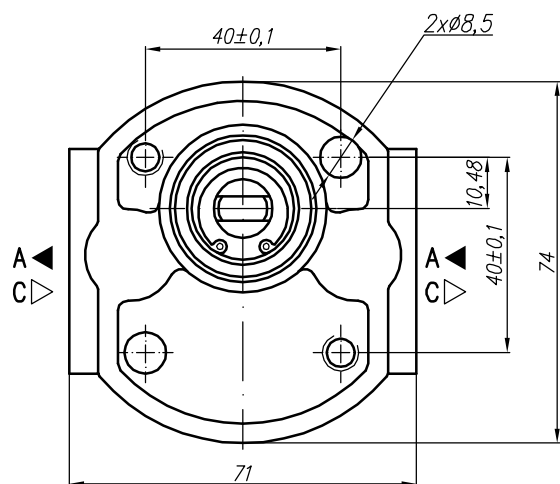
Rotation "C" - (clockwise)



GEAR PUMP TYPE PGP 10A(C)...X375

Type	Displacement cm ³ /rev	Flow		Pressure P _{nom} bar	max Speed n rpm	Dimension							
		at 1500 rpm l/min	at max rpm l/min			Inlet		Outlet					
						A mm	B mm	E	F	d	E	F	d
10A(C)1X375	1	1,40	3,26	250	3500	39,1	81						
10A(C)1,25X375	1,25	1,74	4,07	250	3500	39,5	82						
10A(C)1,6X375	1,6	2,23	5,21	250	3500	40,3	83,6						
10A(C)2X375	2	2,82	6,58	250	3500	41,1	85,2						
10A(C)2,5X375	2,5	3,53	8,23	250	3500	42,1	87,2						
* 10A(C)2,65X375	2,65	3,74	8,72	250	3500	42,4	87,8						
10A(C)3,15X375	3,15	4,44	10,36	250	3500	43,5	89,8						
10A(C)3,65X375	3,65	5,15	12,01	250	3500	44,4	91,9						
10A(C)4,2X375	4,2	5,92	13,82	250	3500	45,5	94,1	∅30	∅12	M6	∅30	∅12	M6
* 10A(C)4,7X375	4,7	6,63	15,46	250	3500	46,1	97,1						
10A(C)5X375	5	7,05	14,10	250	3000	47,1	97,2						
10A(C)5,7X375	5,7	8,12	16,25	200	3000	48,5	100,1						
10A(C)6,1X375	6,1	8,69	14,49	200	2500	49,4	101,8						
10A(C)7,4X375	7,4	10,55	17,58	180	2500	52,1	107,2						
* 10A(C)8X375	8	11,40	15,20	150	2000	53,4	109,7						
10A(C)8,5X375	8,5	12,11	16,15	150	2000	54,4	111,7						
10A(C)9,8X375	9,8	13,97	18,62	120	2000	57	117						

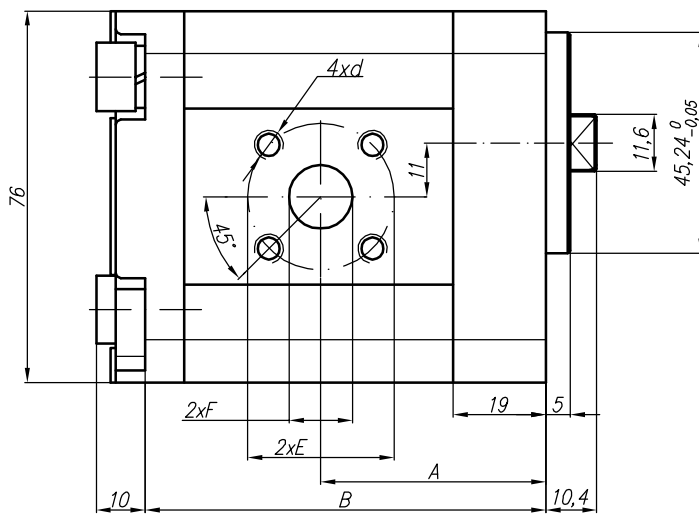
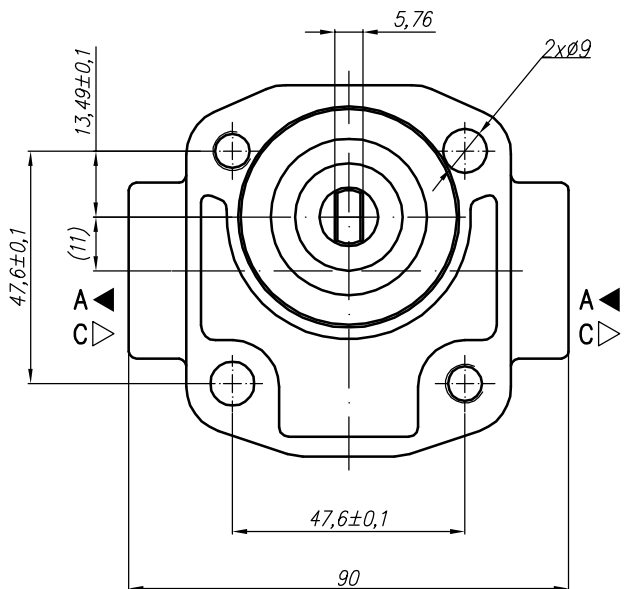
* - These pumps - only under a special order



GEAR PUMP TYPE PGP 10A(C)...X394

Type	Displacement cm ³ /rev	Flow		Pressure P _{nom} bar	max Speed n rpm	Dimension							
		at 1500 rpm l/min	at max rpm l/min			Inlet		Outlet					
						A mm	B mm	E mm	F mm	d mm	E mm	F mm	d mm
10A(C)1X394	1	1,40	3,26	250	3500	40,1	69,1	ø30	ø13	M6	ø30	ø13	M6
10A(C)1,25X394	1,25	1,74	4,07	250	3500	40,6	70,1						
10A(C)1,6X394	1,6	2,23	5,21	250	3500	41,3	71,5						
10A(C)2X394	2	2,82	6,58	250	3500	42,1	73,2						
10A(C)2,5X394	2,5	3,53	8,23	250	3500	43,1	75,2						
* 10A(C)2,65X394	2,65	3,74	8,72	250	3500	43,4	75,8						
10A(C)3,15X394	3,15	4,44	10,36	250	3500	44,5	77,8						
10A(C)3,65X394	3,65	5,15	12,01	250	3500	45,4	79,8						
10A(C)4,2X394	4,2	5,92	13,82	250	3500	46,5	82,0						
* 10A(C)4,7X394	4,7	6,63	15,46	250	3500	47,5	84,1						
10A(C)5X394	5	7,05	14,10	250	3000	48,1	85,2						
10A(C)5,7X394	5,7	8,12	16,25	200	3000	49,5	88,0						
10A(C)6,1X394	6,1	8,69	14,49	200	2500	50,4	89,8						
10A(C)7,4X394	7,4	10,55	17,58	180	2500	53,1	95,3						
* 10A(C)8X394	8	11,40	15,20	150	2000	54,4	97,7						
10A(C)8,5X394	8,5	12,11	16,15	150	2000	55,4	99,8						
10A(C)9,8X394	9,8	13,97	18,62	120	2000	58,0	105,0						

* - These pumps - only under a special order



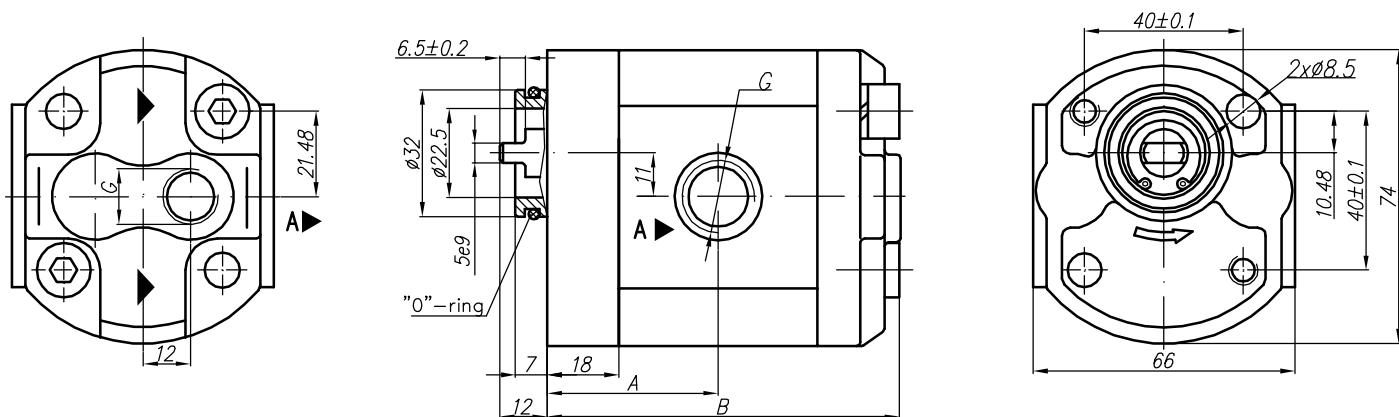
GEAR PUMP TYPE PGP 10A(C)...X400...

GROUP I

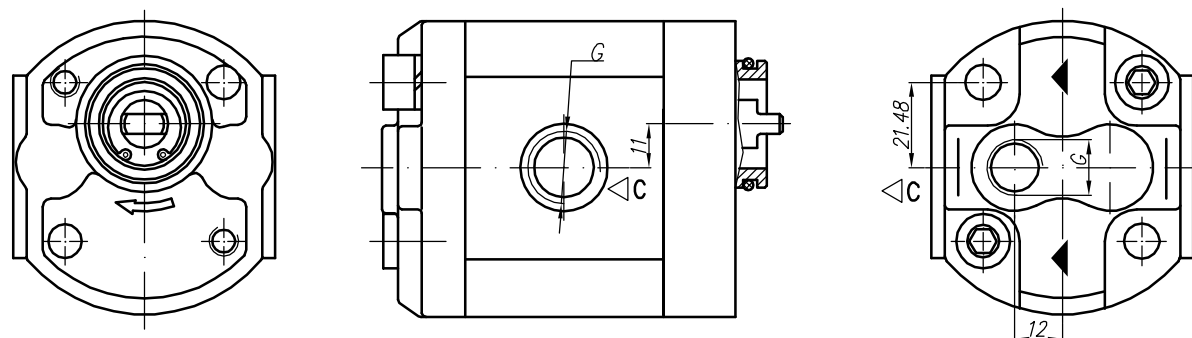
Type	Displacement cm ³ /rev	Flow		Pressure P _{nom} bar	max Speed n rpm	Dimension						
		at 1500 rpm l/min	at max rpm l/min			A mm	B mm	Inlet G		Outlet G		
10A(C)1X400	1	1,40	3,26	250	3500	39,1	81	G 3/8" - A				
10A(C)1,25X400	1,25	1,74	4,07	250	3500	39,5	82					
10A(C)1,6X400	1,6	2,23	5,21	250	3500	40,3	83,6					
10A(C)2X400	2	2,82	6,58	250	3500	41,1	85,2					
10A(C)2,5X400	2,5	3,53	8,23	250	3500	42,1	87,2					
* 10A(C)2,65X400	2,65	3,74	8,72	250	3500	42,4	87,8	G 1/2" - A				
10A(C)3,15X400	3,15	4,44	10,36	250	3500	43,5	89,8					
10A(C)3,65X400	3,65	5,15	12,01	250	3500	44,4	91,9					
10A(C)4,2X400	4,2	5,92	13,82	250	3500	45,5	94,1					
* 10A(C)4,7X400	4,7	6,63	15,46	250	3500	46,1	97,1					
10A(C)5X400	5	7,05	14,10	250	3000	47,1	97,2					
10A(C)5,7X400	5,7	8,12	16,25	200	3000	48,5	100,1					
10A(C)6,1X400	6,1	8,69	14,49	200	2500	49,4	101,8					
10A(C)7,4X400	7,4	10,55	17,58	180	2500	52,1	107,2					
* 10A(C)8X400	8	11,40	15,20	150	2000	53,4	109,7					
10A(C)8,5X400	8,5	12,11	16,15	150	2000	54,4	111,7					
10A(C)9,8X400	9,8	13,97	18,62	120	2000	57	117					

* - These pumps - only under a special order

Rotation "A" - (anticlockwise)



Rotation "C" - (clockwise)



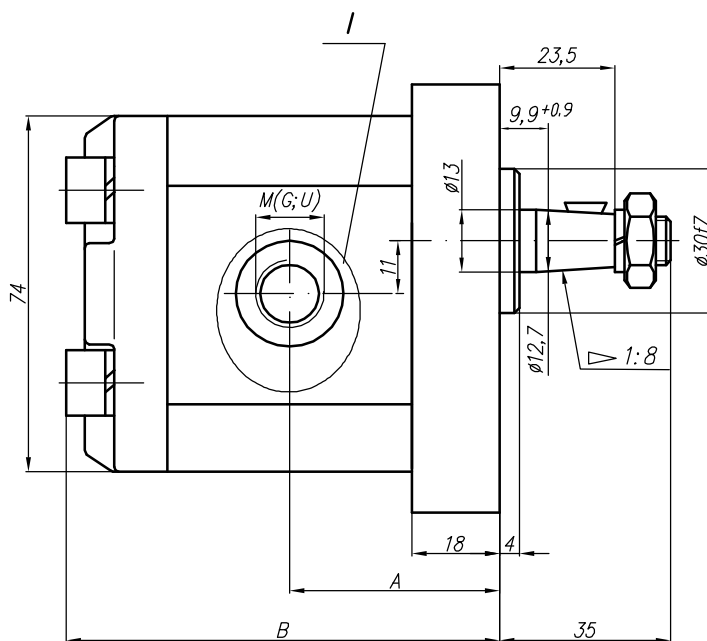
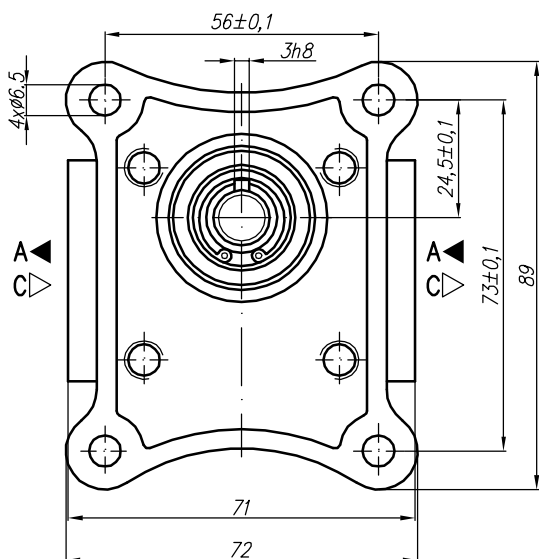
GEAR PUMP TYPE PGP 10A(C)...X418...

GROUP I

Type	Displacement cm ³ /rev	Flow		Pressure P _{nom} bar	max Speed n rpm	Dimension							
		at 1500 rpm l/min	at max rpm l/min			A		B		Inlet			Outlet
						mm	mm	M	G	U	M	G	U
10A(C)1X418	1	1,40	3,26	250	3500	39,1	81	M16x1,5	G 3/8" - A	3/4" - 16UNF - 2B	M16x1,5	G 3/8" - A	9/16" - 18UNF - 2B
10A(C)1,25X418	1,25	1,74	4,07	250	3500	39,5	82						
10A(C)1,6X418	1,6	2,23	5,21	250	3500	40,3	83,6						
10A(C)2X418	2	2,82	6,58	250	3500	41,1	85,2						
10A(C)2,5X418	2,5	3,53	8,23	250	3500	42,1	87,2						
* 10A(C)2,65X418	2,65	3,74	8,72	250	3500	42,4	87,8	M20x1,5	G 1/2" - A	3/4" - 16UNF - 2B	M16x1,5	G 3/8" - A	9/16" - 18UNF - 2B
10A(C)3,15X418	3,15	4,44	10,36	250	3500	43,5	89,8						
10A(C)3,65X418	3,65	5,15	12,01	250	3500	44,4	91,9						
10A(C)4,2X418	4,2	5,92	13,82	250	3500	45,5	94,1	M22x1,5	G 1/2" - A	7/8" - 14UNF	M18x1,5	G 3/8" - A	3/4" - 16UNF
* 10A(C)4,7X418	4,7	6,63	15,46	250	3500	46,1	97,1						
10A(C)5X418	5	7,05	14,10	250	3000	47,1	97,2	M22x1,5	G 1/2" - A	7/8" - 14UNF	M18x1,5	G 3/8" - A	3/4" - 16UNF
10A(C)5,7X418	5,7	8,12	16,25	200	3000	48,5	100,1						
10A(C)6,1X418	6,1	8,69	14,49	200	2500	49,4	101,8	M22x1,5	G 1/2" - A	7/8" - 14UNF	M18x1,5	G 3/8" - A	3/4" - 16UNF
10A(C)7,4X418	7,4	10,55	17,58	180	2500	52,1	107,2						
* 10A(C)8X418	8	11,40	15,20	150	2000	53,4	109,7	M22x1,5	G 1/2" - A	7/8" - 14UNF	M18x1,5	G 3/8" - A	3/4" - 16UNF
10A(C)8,5X418	8,5	12,11	16,15	150	2000	54,4	111,7						
10A(C)9,8X418	9,8	13,97	18,62	120	2000	57	117	M22x1,5	G 1/2" - A	7/8" - 14UNF	M18x1,5	G 3/8" - A	3/4" - 16UNF

* - These pumps - only under a special order

The pump is similar to "1GAS - Marzocchi" - (difference at shaft dia and the cone)

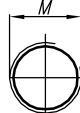


Variants:

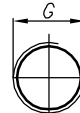
- ...X418M - for M ports (see the picture I and the table below);
- ...X418G - for G ports (see the picture I and the table below);
- ...X418U - for U ports (see the picture I and the table below).

I - variants

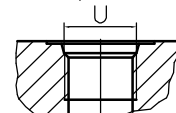
Variant M



Variant G



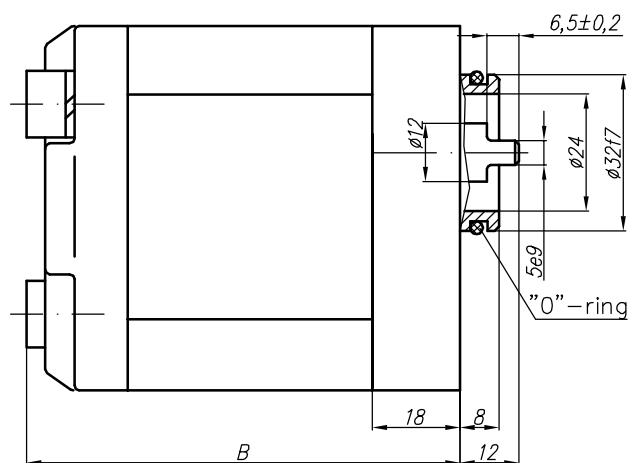
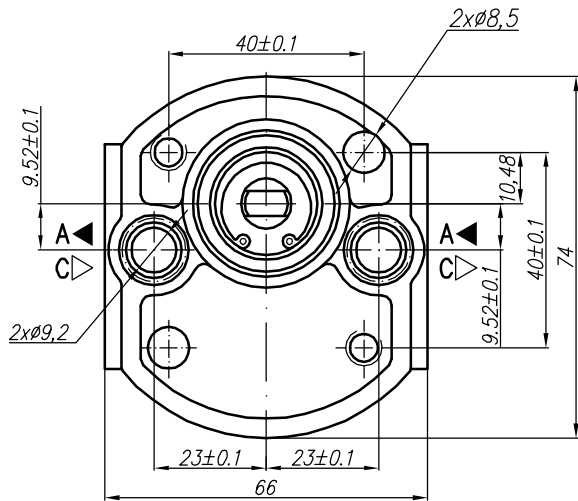
Variant U (SAEJ475 (ISO R725))



GEAR PUMP TYPE PGP 10A(C)...X442

Type	Displacement cm ³ /rev	Flow		Pressure P _{nom} bar	max Speed n rpm	Dimension							
		at 1500 rpm l/min	at max rpm l/min			A mm	B mm	Inlet		Outlet			
10A(C)1X442	1	1,40	3,26	250	3500		81						
10A(C)1,25X442	1,25	1,74	4,07	250	3500		82						
10A(C)1,6X442	1,6	2,23	5,21	250	3500		83,6						
10A(C)2X442	2	2,82	6,58	250	3500		85,2						
10A(C)2,5X442	2,5	3,53	8,23	250	3500		87,2						
* 10A(C)2,65X442	2,65	3,74	8,72	250	3500		87,8						
10A(C)3,15X442	3,15	4,44	10,36	250	3500		89,8						
10A(C)3,65X442	3,65	5,15	12,01	250	3500		91,9						
10A(C)4,2X442	4,2	5,92	13,82	250	3500		94,1			∅9,2		∅9,2	
* 10A(C)4,7X442	4,7	6,63	15,46	250	3500		97,1						
10A(C)5X442	5	7,05	14,10	250	3000		97,2						
10A(C)5,7X442	5,7	8,12	16,25	200	3000		100,1						
10A(C)6,1X442	6,1	8,69	14,49	200	2500		101,8						
10A(C)7,4X442	7,4	10,55	17,58	180	2500		107,2						
* 10A(C)8X442	8	11,40	15,20	150	2000		109,7						
10A(C)8,5X442	8,5	12,11	16,15	150	2000		111,7						
10A(C)9,8X442	9,8	13,97	18,62	120	2000		117						

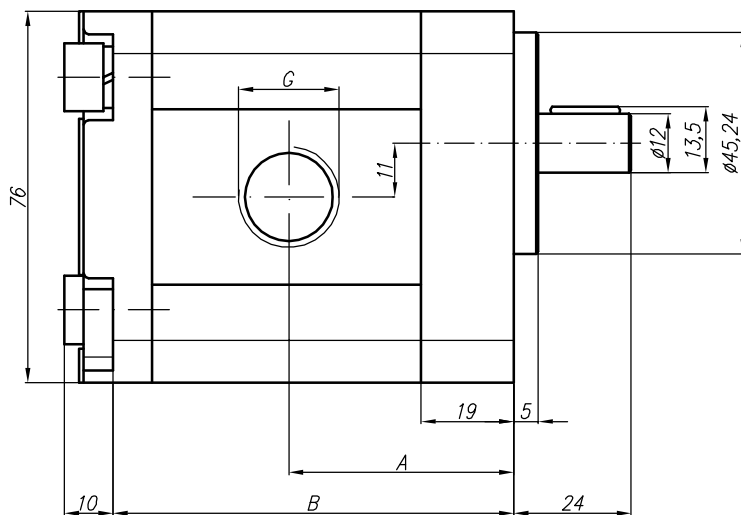
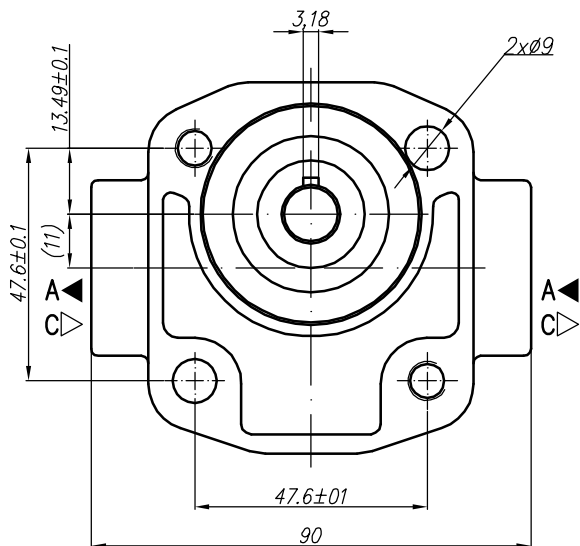
* - These pumps - only under a special order



GEAR PUMP TYPE PGP 10A(C)...X445

Type	Displacement cm ³ /rev	Flow		Pressure P _{nom} bar	max Speed n rpm	Dimension												
		at 1500 rpm l/min	at max rpm l/min			Inlet		Outlet		A mm	B mm	M	G	U	M	G	U	
10A(C)1X445	1	1,40	3,26	250	3500	40,1	69,1											
10A(C)1,25X445	1,25	1,74	4,07	250	3500	40,6	70,1											
10A(C)1,6X445	1,6	2,23	5,21	250	3500	41,3	71,5											
10A(C)2X445	2	2,82	6,58	250	3500	42,1	73,2											
10A(C)2,5X445	2,5	3,53	8,23	250	3500	43,1	75,2											
* 10A(C)2,65X445	2,65	3,74	8,72	250	3500	43,4	75,8											
10A(C)3,15X445	3,15	4,44	10,36	250	3500	44,5	77,8											
10A(C)3,65X445	3,65	5,15	12,01	250	3500	45,4	79,8											
10A(C)4,2X445	4,2	5,92	13,82	250	3500	46,5	82,0											
* 10A(C)4,7X445	4,7	6,63	15,46	250	3500	47,5	84,1											
10A(C)5X445	5	7,05	14,10	250	3000	48,1	85,2											
10A(C)5,7X445	5,7	8,12	16,25	200	3000	49,5	88,0											
10A(C)6,1X445	6,1	8,69	14,49	200	2500	50,4	89,8											
10A(C)7,4X445	7,4	10,55	17,58	180	2500	53,1	95,3											
* 10A(C)8X445	8	11,40	15,20	150	2000	54,4	97,7											
10A(C)8,5X445	8,5	12,11	16,15	150	2000	55,4	99,8											
10A(C)9,8X445	9,8	13,97	18,62	120	2000	58,0	105,0											

* - These pumps - only under a special order

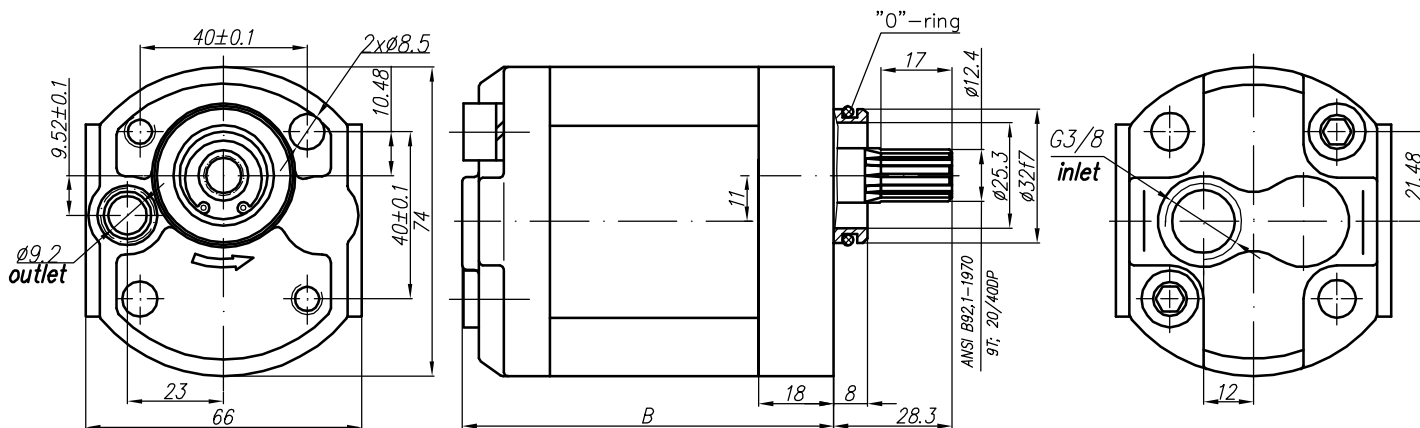


GEAR PUMP TYPE PGP 10A(C)...X459

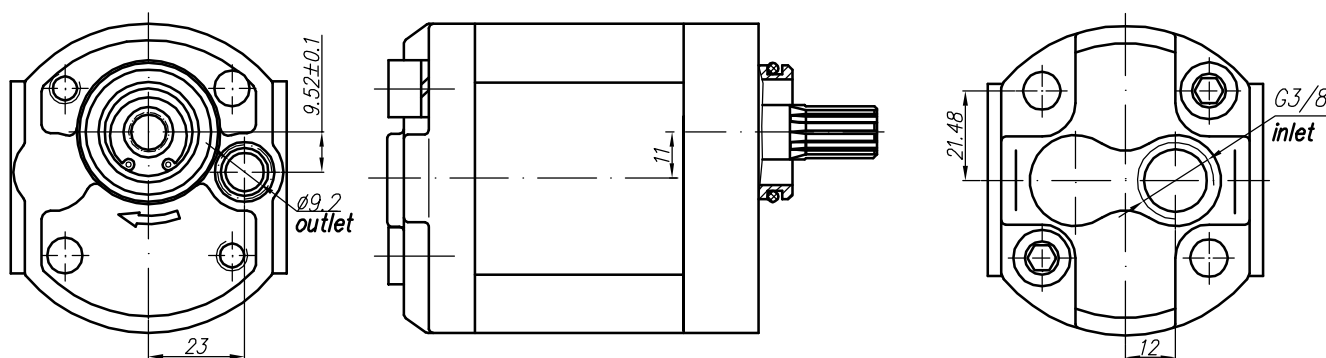
Type	Displacement cm ³ /rev	Flow		Pressure P _{nom} bar	max Speed n rpm	Dimension						
		at 1500 rpm l/min	at max rpm l/min			Inlet			Outlet			
						A mm	B mm	M	G	U		
10A(C)1X459	1	1,40	3,26	250	3500	71	81	G 3/8" - A				Ø9,2
10A(C)1,25X459	1,25	1,74	4,07	250	3500	72	82					
10A(C)1,6X459	1,6	2,23	5,21	250	3500	73,6	83,6					
10A(C)2X459	2	2,82	6,58	250	3500	75,2	85,2					
10A(C)2,5X459	2,5	3,53	8,23	250	3500	77,2	87,2					
* 10A(C)2,65X459	2,65	3,74	8,72	250	3500	77,8	87,8					
10A(C)3,15X459	3,15	4,44	10,36	250	3500	79,8	89,8					
10A(C)3,65X459	3,65	5,15	12,01	250	3500	81,9	91,9					
10A(C)4,2X459	4,2	5,92	13,82	250	3500	84,1	94,1					
* 10A(C)4,7X459	4,7	6,63	15,46	250	3500	87,1	97,1					
10A(C)5X459	5	7,05	14,10	250	3000	87,2	97,2					
10A(C)5,7X459	5,7	8,12	16,25	200	3000	90,1	100,1					
10A(C)6,1X459	6,1	8,69	14,49	200	2500	91,8	101,8					
10A(C)7,4X459	7,4	10,55	17,58	180	2500	97,2	107,2					
* 10A(C)8X459	8	11,40	15,20	150	2000	99,7	109,7					
10A(C)8,5X459	8,5	12,11	16,15	150	2000	101,7	111,7					
10A(C)9,8X459	9,8	13,97	18,62	120	2000	107	117					

* - These pumps - only under a special order

Rotation "A" - (anticlockwise)



Rotation "C" - (clockwise)

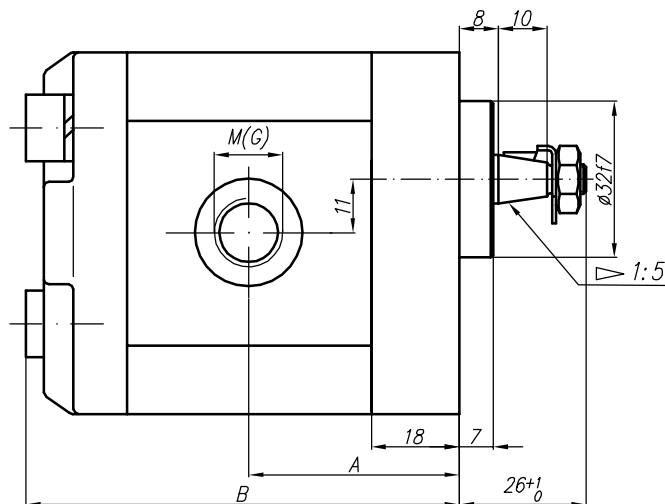
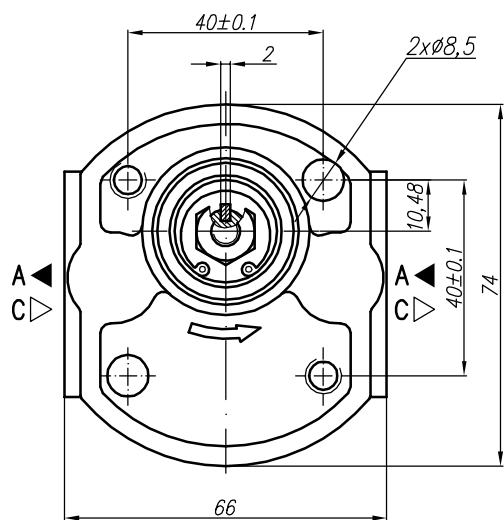


GEAR PUMP TYPE PGP 10A(C)...X465...

GROUP I

Type	Displacement cm ³ /rev	Flow		Pressure P _{nom} bar	max Speed n rpm	Dimension						
		at 1500 rpm l/min	at max rpm l/min			Inlet		Outlet		A mm	B mm	
						M	G	U	M	G	U	
10A(C)1X465	1	1,40	3,26	250	3500	39,1	81	M18x1,5	G 3/8" - A		M14x1,5	G 3/8" - A
10A(C)1,25X465	1,25	1,74	4,07	250	3500	39,5	82					
10A(C)1,6X465	1,6	2,23	5,21	250	3500	40,3	83,6					
10A(C)2X465	2	2,82	6,58	250	3500	41,1	85,2					
10A(C)2,5X465	2,5	3,53	8,23	250	3500	42,1	87,2					
* 10A(C)2,65X465	2,65	3,74	8,72	250	3500	42,4	87,8					
10A(C)3,15X465	3,15	4,44	10,36	250	3500	43,5	89,8					
10A(C)3,65X465	3,65	5,15	12,01	250	3500	44,4	91,9					
10A(C)4,2X465	4,2	5,92	13,82	250	3500	45,5	94,1					
* 10A(C)4,7X465	4,7	6,63	15,46	250	3500	46,1	97,1					
10A(C)5X465	5	7,05	14,10	250	3000	47,1	97,2	G 1/2" - A				
10A(C)5,7X465	5,7	8,12	16,25	200	3000	48,5	100,1					
10A(C)6,1X465	6,1	8,69	14,49	200	2500	49,4	101,8					
10A(C)7,4X465	7,4	10,55	17,58	180	2500	52,1	107,2	M22x1,5			M18x1,5	
* 10A(C)8X465	8	11,40	15,20	150	2000	53,4	109,7					
10A(C)8,5X465	8,5	12,11	16,15	150	2000	54,4	111,7					
10A(C)9,8X465	9,8	13,97	18,62	120	2000	57	117					

* - These pumps - only under a special order



Variants:

...X465M - for M ports (see the table);

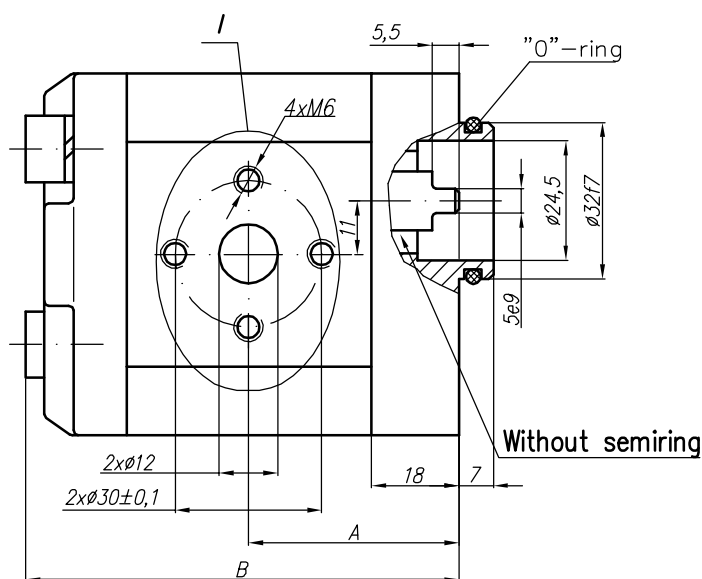
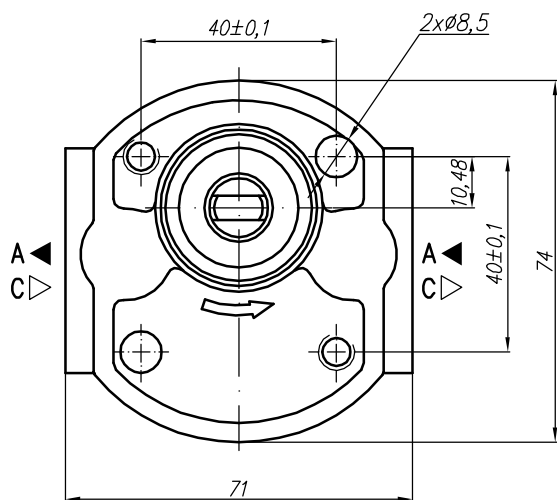
...X465G - for G ports (see the table).

GEAR PUMP TYPE PGP 10A(C)...X475...

GROUP I

Type	Displacement cm ³ /rev	Flow		Pressure P _{nom} bar	max Speed n rpm	Dimension							
		at 1500 rpm l/min	at max rpm l/min			Inlet		Outlet					
						A mm	B mm	M	G	U	M	G	U
10A(C)1X475	1	1,40	3,26	250	3500	39,1	81	M16x1,5	G 3/8" - A	3/4" - 16UNF - 2B	M16x1,5	G 3/8" - A	9/16" - 18UNF - 2B
10A(C)1,25X475	1,25	1,74	4,07	250	3500	39,5	82						
10A(C)1,6X475	1,6	2,23	5,21	250	3500	40,3	83,6						
10A(C)2X475	2	2,82	6,58	250	3500	41,1	85,2						
10A(C)2,5X475	2,5	3,53	8,23	250	3500	42,1	87,2						
* 10A(C)2,65X475	2,65	3,74	8,72	250	3500	42,4	87,8	M20x1,5	G 1/2" - A	3/4" - 16UNF - 2B	M16x1,5	G 3/8" - A	9/16" - 18UNF - 2B
10A(C)3,15X475	3,15	4,44	10,36	250	3500	43,5	89,8						
10A(C)3,65X475	3,65	5,15	12,01	250	3500	44,4	91,9						
10A(C)4,2X475	4,2	5,92	13,82	250	3500	45,5	94,1						
* 10A(C)4,7X475	4,7	6,63	15,46	250	3500	46,1	97,1						
10A(C)5X475	5	7,05	14,10	250	3000	47,1	97,2	M22x1,5	G 1/2" - A	7/8" - 14UNF	M18x1,5	3/4" - 16UNF	
10A(C)5,7X475	5,7	8,12	16,25	200	3000	48,5	100,1						
10A(C)6,1X475	6,1	8,69	14,49	200	2500	49,4	101,8						
10A(C)7,4X475	7,4	10,55	17,58	180	2500	52,1	107,2						
* 10A(C)8X475	8	11,40	15,20	150	2000	53,4	109,7						
10A(C)8,5X475	8,5	12,11	16,15	150	2000	54,4	111,7						
10A(C)9,8X475	9,8	13,97	18,62	120	2000	57	117						

* - These pumps - only under a special order

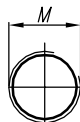


I - variants

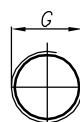
Variants:

- ...X475 - Normal version (flange);
- ...X475M - for M ports (see the picture I and the table below);
- ...X475G - for G ports (see the picture I and the table below);
- ...X475U - for U ports (see the picture I and the table below).

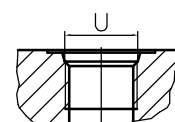
Variant M



Variant G



Variant U (SAEJ475 (ISO R725))

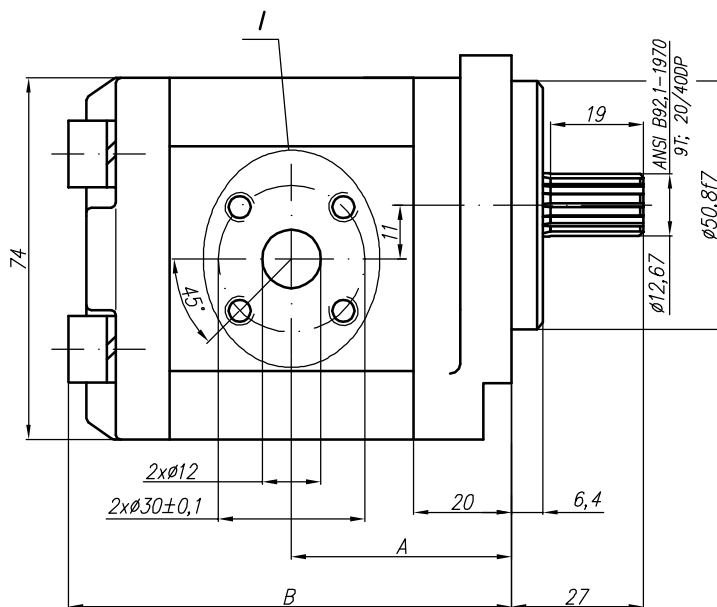
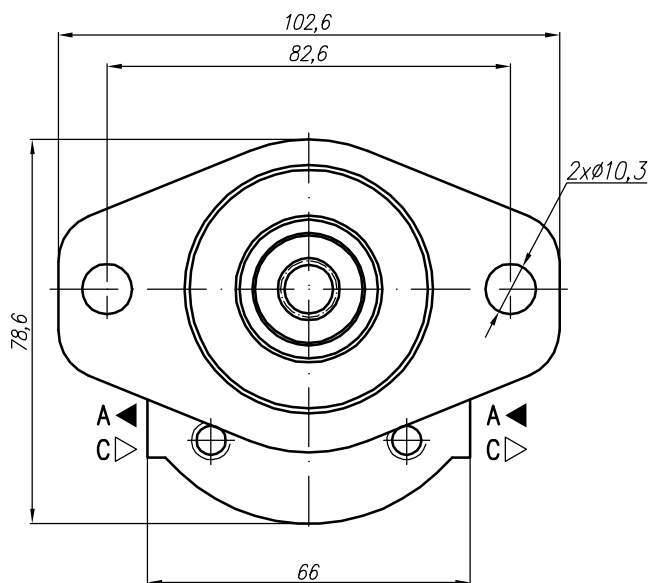


GEAR PUMP TYPE PGP 10A(C)...X476...

GROUP I

Type	Displacement cm ³ /rev	Flow		Pressure P _{nom} bar	max Speed n rpm	Dimension							
		at 1500 rpm l/min	at max rpm l/min			Inlet		Outlet					
						A mm	B mm	M	G	U	M	G	U
10A(C)1X476	1	1,40	3,26	250	3500	41,1	83	M16x1,5	G 3/8" - A	3/4" - 16UNF - 2B	M16x1,5	G 3/8" - A	9/16" - 18UNF - 2B
10A(C)1,25X476	1,25	1,74	4,07	250	3500	41,5	84						
10A(C)1,6X476	1,6	2,23	5,21	250	3500	42,3	85,6						
10A(C)2X476	2	2,82	6,58	250	3500	43,1	87,2						
10A(C)2,5X476	2,5	3,53	8,23	250	3500	44,1	89,2						
* 10A(C)2,65X476	2,65	3,74	8,72	250	3500	44,4	89,8	M20x1,5	G 1/2" - A	3/4" - 16UNF - 2B	M16x1,5	G 3/8" - A	9/16" - 18UNF - 2B
10A(C)3,15X476	3,15	4,44	10,36	250	3500	45,5	91,8						
10A(C)3,65X476	3,65	5,15	12,01	250	3500	46,4	93,9						
10A(C)4,2X476	4,2	5,92	13,82	250	3500	47,5	96,1						
* 10A(C)4,7X476	4,7	6,63	15,46	250	3500	48,1	98						
10A(C)5X476	5	7,05	14,10	250	3000	49,1	99,2	M22x1,5	G 1/2" - A	7/8" - 14UNF	M18x1,5	3/4" - 16UNF	
10A(C)5,7X476	5,7	8,12	16,25	200	3000	50,5	102,1						
10A(C)6,1X476	6,1	8,69	14,49	200	2500	51,4	103,8						
10A(C)7,4X476	7,4	10,55	17,58	180	2500	54,1	109,2						
* 10A(C)8X476	8	11,40	15,20	150	2000	55,4	111,7						
10A(C)8,5X476	8,5	12,11	16,15	150	2000	56,4	113,7						
10A(C)9,8X476	9,8	13,97	18,62	120	2000	59	119						

* - These pumps - only under a special order

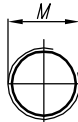


I - variants

Variants:

- ...X476 - Normal version (flange);
- ...X476M - for M ports (see the picture I and the table below);
- ...X476G - for G ports (see the picture I and the table below);
- ...X476U - for U ports (see the picture I and the table below).

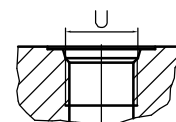
Variant M



Variant G



Variant U (SAEJ475 (ISO R725))



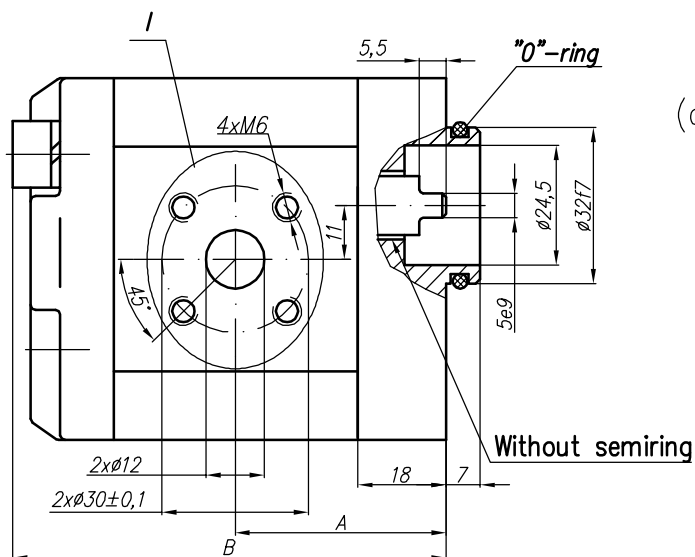
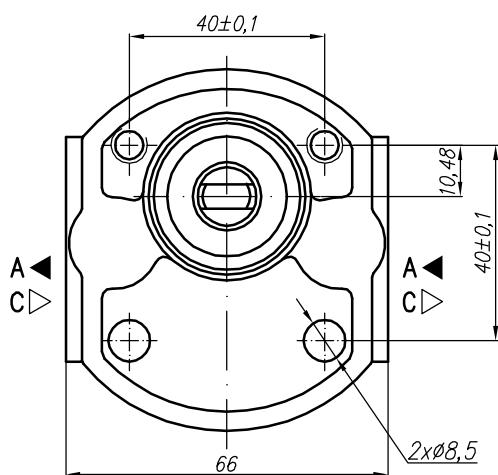
GEAR PUMP TYPE PGP 10A(C)...X479...

GROUP I

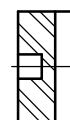
Type	Displacement cm ³ /rev	Flow		Pressure P _{nom} bar	max Speed n rpm	Dimension							
		at 1500 rpm l/min	at max rpm l/min			Inlet			Outlet				
						A mm	B mm	M	G	U	M	G	U
10A(C)1X479	1	1,40	3,26	250	3500	39,1	81	M16x1,5	G 3/8" - A	3/4" - 16UNF - 2B	M16x1,5	G 3/8" - A	9/16" - 18UNF - 2B
10A(C)1,25X479	1,25	1,74	4,07	250	3500	39,5	82						
10A(C)1,6X479	1,6	2,23	5,21	250	3500	40,3	83,6						
10A(C)2X479	2	2,82	6,58	250	3500	41,1	85,2						
10A(C)2,5X479	2,5	3,53	8,23	250	3500	42,1	87,2						
* 10A(C)2,65X479	2,65	3,74	8,72	250	3500	42,4	87,8	M20x1,5	G 1/2" - A	3/4" - 16UNF - 2B	M16x1,5	G 3/8" - A	9/16" - 18UNF - 2B
10A(C)3,15X479	3,15	4,44	10,36	250	3500	43,5	89,8						
10A(C)3,65X479	3,65	5,15	12,01	250	3500	44,4	91,9						
10A(C)4,2X479	4,2	5,92	13,82	250	3500	45,5	94,1						
* 10A(C)4,7X479	4,7	6,63	15,46	250	3500	46,1	97,1						
10A(C)5X479	5	7,05	14,10	250	3000	47,1	97,2	M22x1,5	G 1/2" - A	7/8" - 14UNF	M18x1,5	3/4" - 16UNF	
10A(C)5,7X479	5,7	8,12	16,25	200	3000	48,5	100,1						
10A(C)6,1X479	6,1	8,69	14,49	200	2500	49,4	101,8						
10A(C)7,4X479	7,4	10,55	17,58	180	2500	52,1	107,2						
* 10A(C)8X479	8	11,40	15,20	150	2000	53,4	109,7						
10A(C)8,5X479	8,5	12,11	16,15	150	2000	54,4	111,7						
10A(C)9,8X479	9,8	13,97	18,62	120	2000	57	117						

* - These pumps - only under a special order

The pump 10A(C)...X479 is a second section of a multiple pump Gr.21.



clutch
(an option)

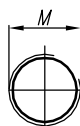


I - variants

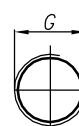
Variants:

- ...X479 - Normal version (flange);
- ...X479M - for M ports (see the picture I and the table below);
- ...X479G - for G ports (see the picture I and the table below);
- ...X479U - for U ports (see the picture I and the table below).

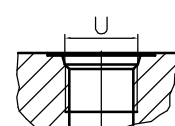
Variant M



Variant G



Variant U (SAEJ475 (ISO R725))



GEAR PUMP TYPE PGP 10A(C)...X484

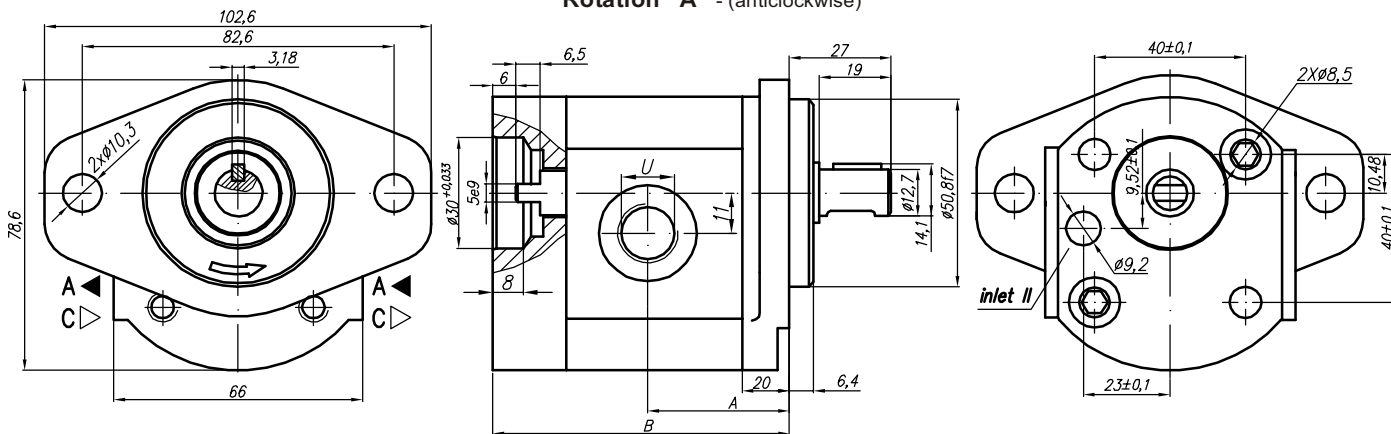
GROUP I

Type	Displacement cm ³ /rev	Flow		Pressure P _{nom} bar	max Speed n rpm	Dimension							
		at 1500 rpm l/min	at max rpm l/min			Inlet			Outlet				
						A mm	B mm	M	G	U	M	G	U
10A(C)1X484	1	1,40	3,26	250	3500	41,1	83						
10A(C)1,25X484	1,25	1,74	4,07	250	3500	41,5	84						
10A(C)1,6X484	1,6	2,23	5,21	250	3500	42,3	85,6						
10A(C)2X484	2	2,82	6,58	250	3500	43,1	87,2						
10A(C)2,5X484	2,5	3,53	8,23	250	3500	44,1	89,2						
* 10A(C)2,65X484	2,65	3,74	8,72	250	3500	44,4	89,8						
10A(C)3,15X484	3,15	4,44	10,36	250	3500	45,5	91,8						
10A(C)3,65X484	3,65	5,15	12,01	250	3500	46,4	93,9						
10A(C)4,2X484	4,2	5,92	13,82	250	3500	47,5	96,1						
* 10A(C)4,7X484	4,7	6,63	15,46	250	3500	48,1	98						
10A(C)5X484	5	7,05	14,10	250	3000	49,1	99,2						
10A(C)5,7X484	5,7	8,12	16,25	200	3000	50,5	102,1						
10A(C)6,1X484	6,1	8,69	14,49	200	2500	51,4	103,8						
10A(C)7,4X484	7,4	10,55	17,58	180	2500	54,1	109,2						
* 10A(C)8X484	8	11,40	15,20	150	2000	55,4	111,7						
10A(C)8,5X484	8,5	12,11	16,15	150	2000	56,4	113,7						
10A(C)9,8X484	9,8	13,97	18,62	120	2000	59	119						

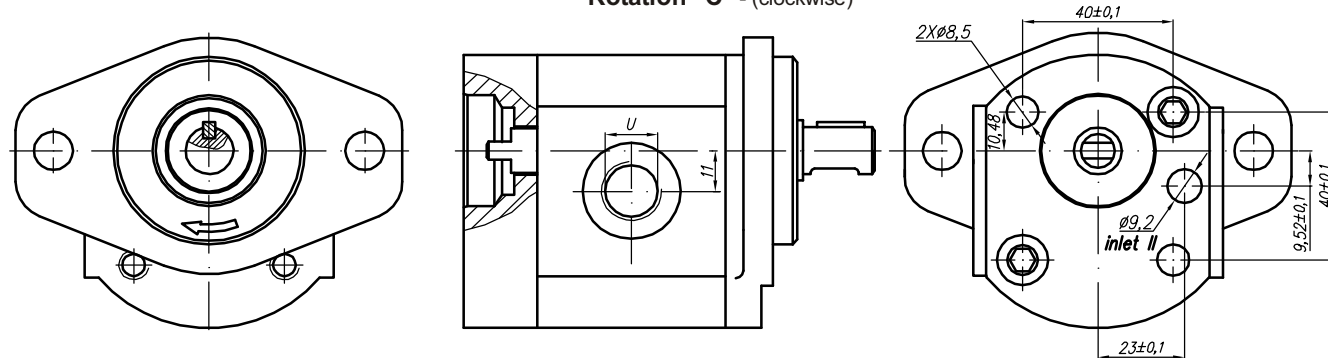
* - These pumps - only under a special order

The pump 10A(C)...X484 is the first section of the tandem pump with common suction port

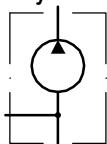
Rotation "A" - (anticlockwise)



Rotation "C" - (clockwise)



Symbol



GEAR PUMP TYPE PGP 10A(C)...X485

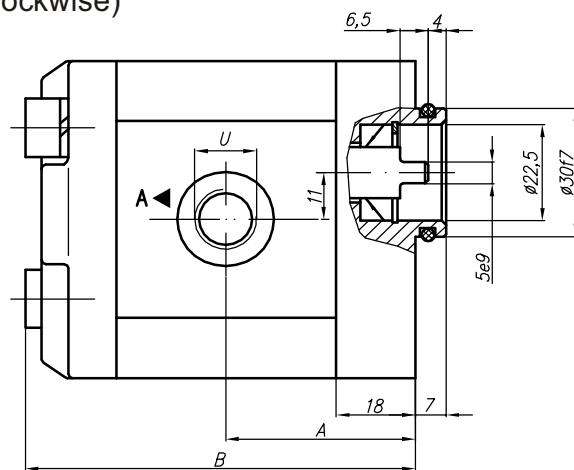
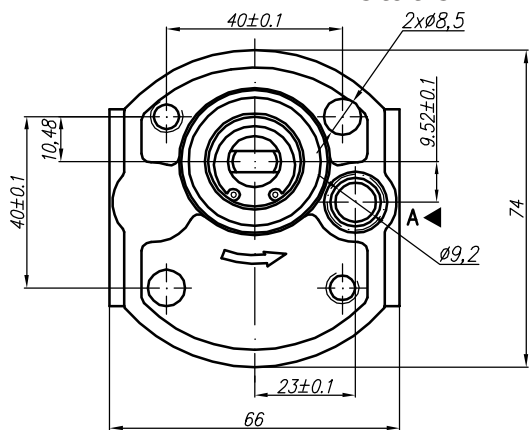
GROUP I

Type	Displacement cm ³ /rev	Flow		Pressure P _{nom} bar	max Speed n rpm	Dimension							
		at 1500 rpm l/min	at max rpm l/min			A mm	B mm	Inlet			Outlet		
											M	G	U
10A(C)1X485	1	1,40	3,26	250	3500	39,1	81						
10A(C)1,25X485	1,25	1,74	4,07	250	3500	39,5	82						
10A(C)1,6X485	1,6	2,23	5,21	250	3500	40,3	83,6						
10A(C)2X485	2	2,82	6,58	250	3500	41,1	85,2						
10A(C)2,5X485	2,5	3,53	8,23	250	3500	42,1	87,2						
* 10A(C)2,65X485	2,65	3,74	8,72	250	3500	42,4	87,8						
10A(C)3,15X485	3,15	4,44	10,36	250	3500	43,5	89,8						
10A(C)3,65X485	3,65	5,15	12,01	250	3500	44,4	91,9						
10A(C)4,2X485	4,2	5,92	13,82	250	3500	45,5	94,1						
* 10A(C)4,7X485	4,7	6,63	15,46	250	3500	46,1	97,1						
10A(C)5X485	5	7,05	14,10	250	3000	47,1	97,2						
10A(C)5,7X485	5,7	8,12	16,25	200	3000	48,5	100,1						
10A(C)6,1X485	6,1	8,69	14,49	200	2500	49,4	101,8						
10A(C)7,4X485	7,4	10,55	17,58	180	2500	52,1	107,2						
* 10A(C)8X485	8	11,40	15,20	150	2000	53,4	109,7						
10A(C)8,5X485	8,5	12,11	16,15	150	2000	54,4	111,7						
10A(C)9,8X485	9,8	13,97	18,62	120	2000	57	117						

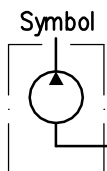
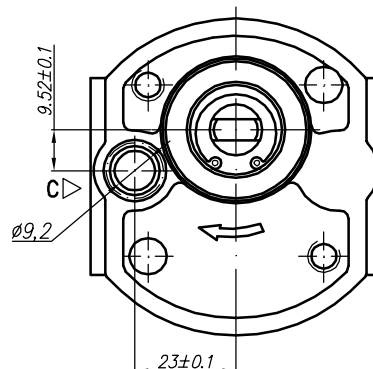
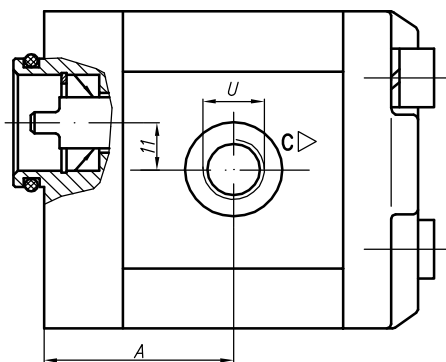
* - These pumps - only under a special order

The pump 10A(C)...X485 is the second section of the tandem pump with common suction port

Rotation "A" - (anticlockwise)



Rotation "C" - (clockwise)



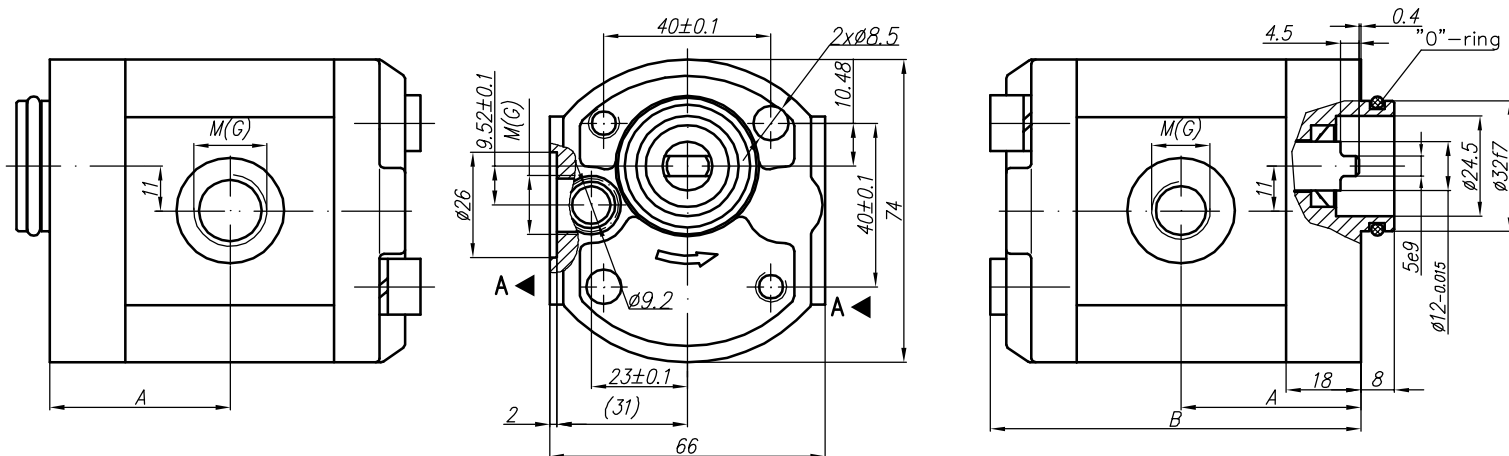
GEAR PUMP TYPE PGP 10A(C)...X488...

GROUP I

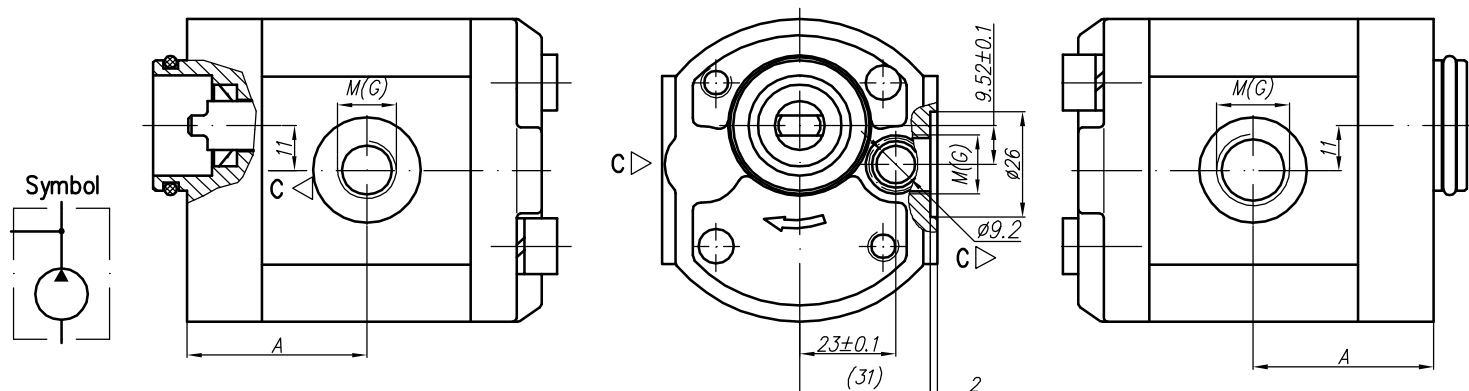
Type	Displacement cm ³ /rev	Flow		Pressure P _{nom} bar	max Speed n rpm	Dimension							
		at 1500 rpm l/min	at max rpm l/min			Inlet			Outlet				
		A	B			M	G	U	M	G	U		
10A(C)1X488	1	1,40	3,26	250	3500	39,1	81	M18x1,5	G 3/8" - A				
10A(C)1,25X488	1,25	1,74	4,07	250	3500	39,5	82						
10A(C)1,6X488	1,6	2,23	5,21	250	3500	40,3	83,6						
10A(C)2X488	2	2,82	6,58	250	3500	41,1	85,2						
10A(C)2,5X488	2,5	3,53	8,23	250	3500	42,1	87,2						
* 10A(C)2,65X488	2,65	3,74	8,72	250	3500	42,4	87,8						
10A(C)3,15X488	3,15	4,44	10,36	250	3500	43,5	89,8		G 1/2" - A				
10A(C)3,65X488	3,65	5,15	12,01	250	3500	44,4	91,9						
10A(C)4,2X488	4,2	5,92	13,82	250	3500	45,5	94,1						
* 10A(C)4,7X488	4,7	6,63	15,46	250	3500	46,1	96						
10A(C)5X488	5	7,05	14,10	250	3000	47,1	97,2						
10A(C)5,7X488	5,7	8,12	16,25	200	3000	48,5	100,1	M14x1,5	G 3/8" - A				
10A(C)6,1X488	6,1	8,69	14,49	200	2500	49,4	101,8						
10A(C)7,4X488	7,4	10,55	17,58	180	2500	52,1	107,2						
* 10A(C)8X488	8	11,40	15,20	150	2000	53,4	109,7						
10A(C)8,5X488	8,5	12,11	16,15	150	2000	54,4	111,7						
10A(C)9,8X488	9,8	13,97	18,62	120	2000	57	117						

* - These pumps - only under a special order

Rotation "A" - (anticlockwise)



Rotation "C" - (clockwise)



Variants:

- ...X488M - for M ports (see the picture and the table);
- ...X488G - for G ports (see the picture and the table).

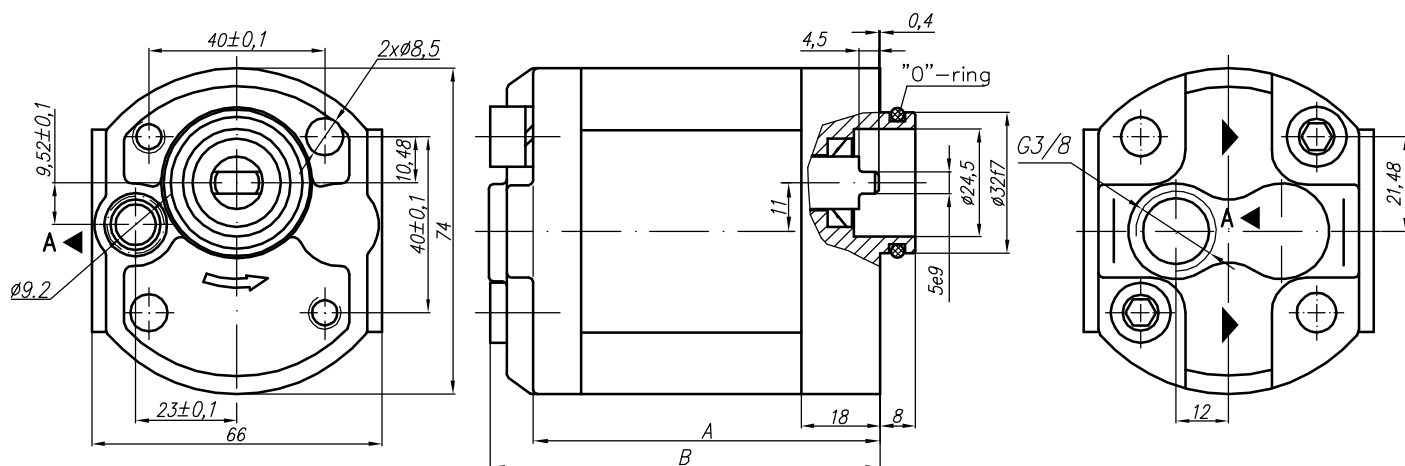
GEAR PUMP TYPE PGP 10A(C)...X489

GROUP I

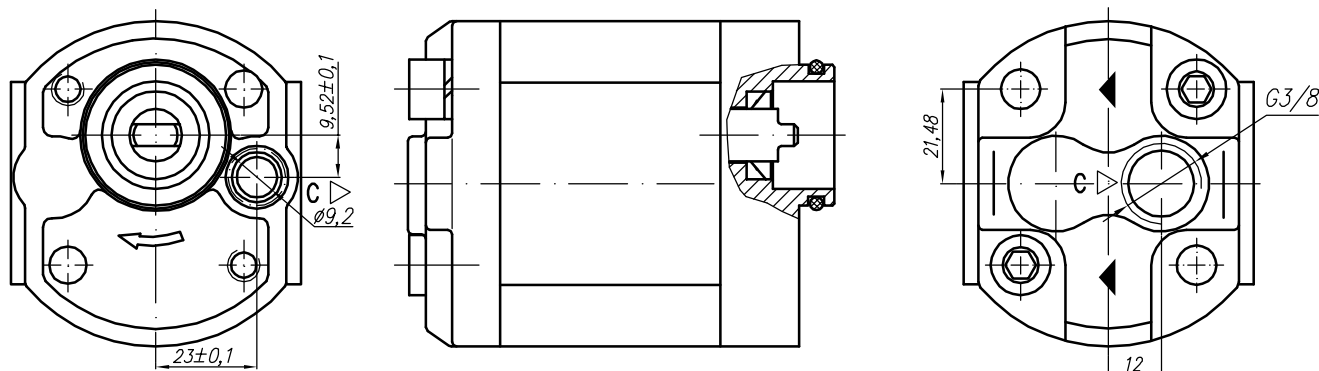
Type	Displacement cm ³ /rev	Flow		Pressure P _{nom} bar	max Speed n rpm	Dimension						
		at 1500 rpm l/min	at max rpm l/min			Inlet			Outlet			
						A mm	B mm	M	G	U		
10A(C)1X489	1	1,40	3,26	250	3500	71	81	G 3/8" - A				ø9,2
10A(C)1,25X489	1,25	1,74	4,07	250	3500	72	82					
10A(C)1,6X489	1,6	2,23	5,21	250	3500	73,6	83,6					
10A(C)2X489	2	2,82	6,58	250	3500	75,2	85,2					
10A(C)2,5X489	2,5	3,53	8,23	250	3500	77,2	87,2					
* 10A(C)2,65X489	2,65	3,74	8,72	250	3500	77,8	87,8					
10A(C)3,15X489	3,15	4,44	10,36	250	3500	79,8	89,8					
10A(C)3,65X489	3,65	5,15	12,01	250	3500	81,9	91,9					
10A(C)4,2X489	4,2	5,92	13,82	250	3500	84,1	94,1					
* 10A(C)4,7X489	4,7	6,63	15,46	250	3500	87,1	97,1					
10A(C)5X489	5	7,05	14,10	250	3000	87,2	97,2					
10A(C)5,7X489	5,7	8,12	16,25	200	3000	90,1	100,1					
10A(C)6,1X489	6,1	8,69	14,49	200	2500	91,8	101,8					
10A(C)7,4X489	7,4	10,55	17,58	180	2500	97,2	107,2					
* 10A(C)8X489	8	11,40	15,20	150	2000	99,7	109,7					
10A(C)8,5X489	8,5	12,11	16,15	150	2000	101,7	111,7					
10A(C)9,8X489	9,8	13,97	18,62	120	2000	107	117					

* - These pumps - only under a special order

Rotation "A" - (anticlockwise)



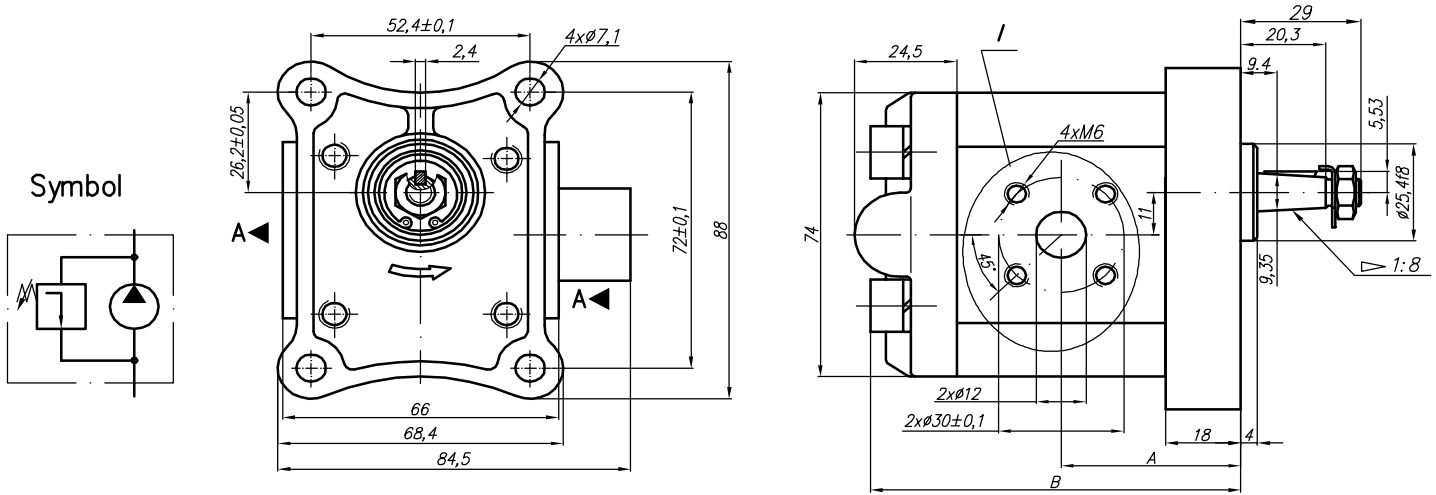
Rotation "C" - (clockwise)



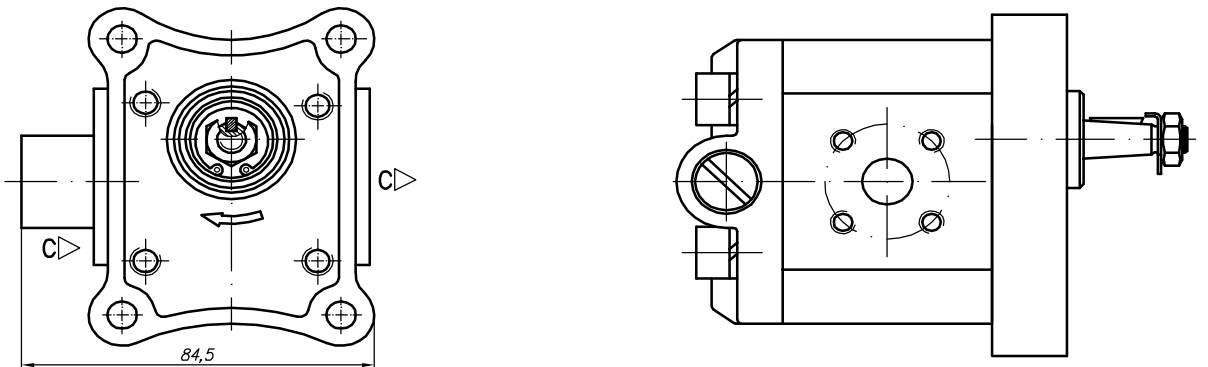
GEAR PUMP TYPE PGP 10A(C)...X491...-A2A...

Type	Displacement cm ³ /rev	Flow		Pressure bar	max Speed n rpm	Dimension							
		at 1500 rpm l/min	at max rpm l/min			Inlet			Outlet				
						A mm	B mm	M	G	U	M	G	U
10A(C)1X491/A2A...	1	1,40	3,26	A2A1 - 70...180 A2A2 - 40...100 A2A4 - 15...50	3500	41,1	83	M16x1,5	G 3/8" - A	3/4" - 16UNF - 2B	M16x1,5	G 3/8" - A	9/16" - 18UNF - 2B
10A(C)1,25X491/A2A...	1,25	1,74	4,07		3500	41,5	84						
10A(C)1,6X491/A2A...	1,6	2,23	5,21		3500	42,3	85,6						
10A(C)2X491/A2A...	2	2,82	6,58		3500	43,1	87,2						
10A(C)2,5X491/A2A...	2,5	3,53	8,23		3500	44,1	89,2						
10A(C)3,15X491/A2A...	3,15	4,44	10,36		3500	45,5	91,8						
10A(C)3,65X491/A2A...	3,65	5,15	12,01		3500	46,4	93,9	M20x1,5	G 1/2" - A	3/4" - 16UNF - 2B	M16x1,5	G 3/8" - A	9/16" - 18UNF - 2B
10A(C)4,2X491/A2A...	4,2	5,92	13,82		3500	47,5	96,1						
10A(C)5X491/A2A...	5	7,05	16,45		3500	49,1	99,2						
10A(C)5,7X491/A2A...	5,7	8,12	16,25		3000	50,5	102						
10A(C)6,1X491/A2A...	6,1	8,69	14,49		2500	51,4	103,8						

Rotation "A" - (anticlockwise)



Rotation "C" - (clockwise)



I - variants

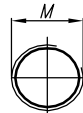
Pump variants:

- ...X491 - Normal version (flange);
- ...X491M - for M ports (see the picture I and the table below);
- ...X491G - for G ports (see the picture I and the table below);
- ...X491U - for U ports (see the picture I and the table below).

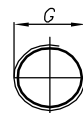
Valve variants:

- A2A1 - pressure range 70 ... 180 bar;
- A2A2 - pressure range 40 ... 100 bar;
- A2A4 - pressure range 15 ... 50 bar.

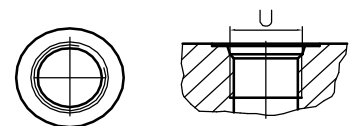
Variant M



Variant G



Variant U (SAEJ475 (ISO R725))

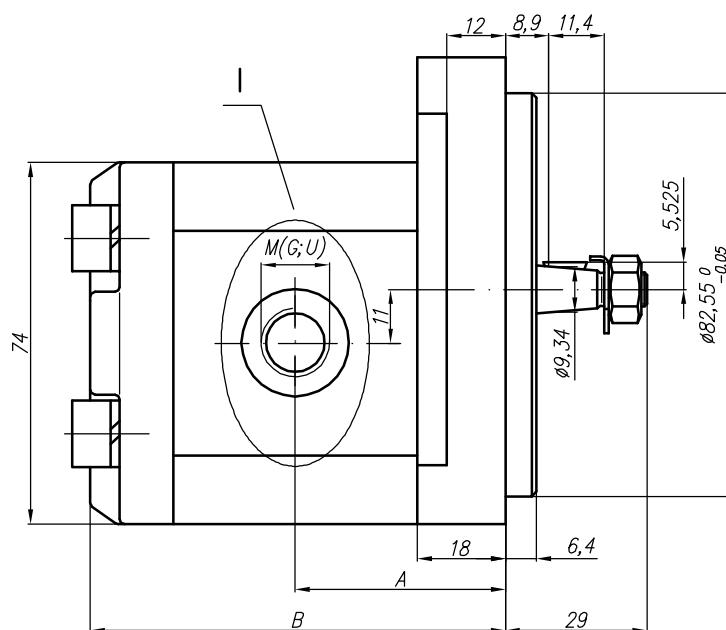
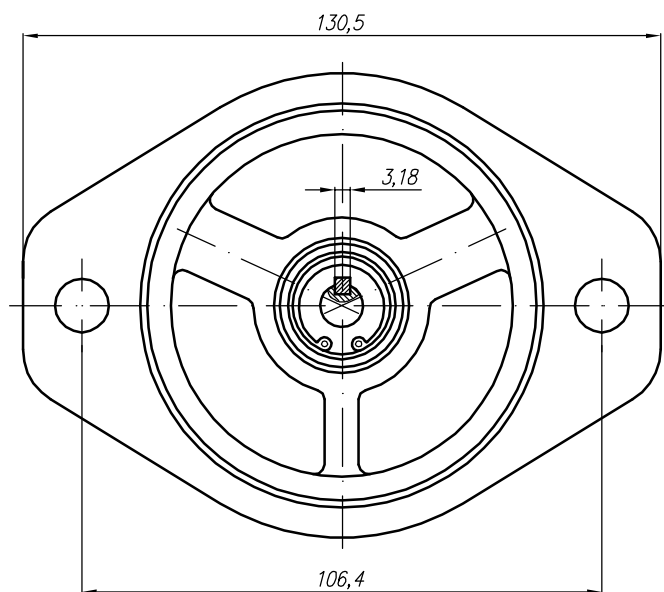


GEAR PUMP TYPE PGP 10A(C)...X501...

GROUP I

Type	Displacement cm ³ /rev	Flow		Pressure P _{nom} bar	max Speed n rpm	Dimension							
		at 1500 rpm l/min	at max rpm l/min			Inlet		Outlet					
						A mm	B mm	M	G	U	M	G	U
10A(C)1X501	1	1,40	3,26	250	3500	39,1	81	M16x1,5	G 3/8" - A	3/4" - 16UNF - 2B	M16x1,5	G 3/8" - A	9/16" - 18UNF - 2B
10A(C)1,25X501	1,25	1,74	4,07	250	3500	39,5	82						
10A(C)1,6X501	1,6	2,23	5,21	250	3500	40,3	83,6						
10A(C)2X501	2	2,82	6,58	250	3500	41,1	85,2						
10A(C)2,5X501	2,5	3,53	8,23	250	3500	42,1	87,2						
* 10A(C)2,65X501	2,65	3,74	8,72	250	3500	42,4	87,8	M20x1,5	G 1/2" - A	3/4" - 16UNF - 2B	M16x1,5	G 3/8" - A	9/16" - 18UNF - 2B
10A(C)3,15X501	3,15	4,44	10,36	250	3500	43,5	89,8						
10A(C)3,65X501	3,65	5,15	12,01	250	3500	44,4	91,9	M20x1,5	G 1/2" - A	3/4" - 16UNF - 2B	M16x1,5	G 3/8" - A	9/16" - 18UNF - 2B
10A(C)4,2X501	4,2	5,92	13,82	250	3500	45,5	94,1						
* 10A(C)4,7X501	4,7	6,63	15,46	250	3500	46,1	97,1						
10A(C)5X501	5	7,05	14,10	250	3000	47,1	97,2	M20x1,5	G 1/2" - A	3/4" - 16UNF - 2B	M16x1,5	G 3/8" - A	9/16" - 18UNF - 2B
10A(C)5,7X501	5,7	8,12	16,25	200	3000	48,5	100,1						
10A(C)6,1X501	6,1	8,69	14,49	200	2500	49,4	101,8						

* - These pumps - only under a special order

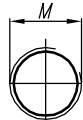


Variants:

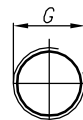
- ...X501M - for M ports (see the picture I and the table below);
- ...X501G - for G ports (see the picture I and the table below);
- ...X501U - for U ports (see the picture I and the table below).

I - variants

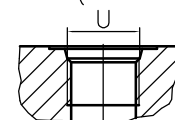
Variant M



Variant G



Variant U (SAEJ475 (ISO R725))

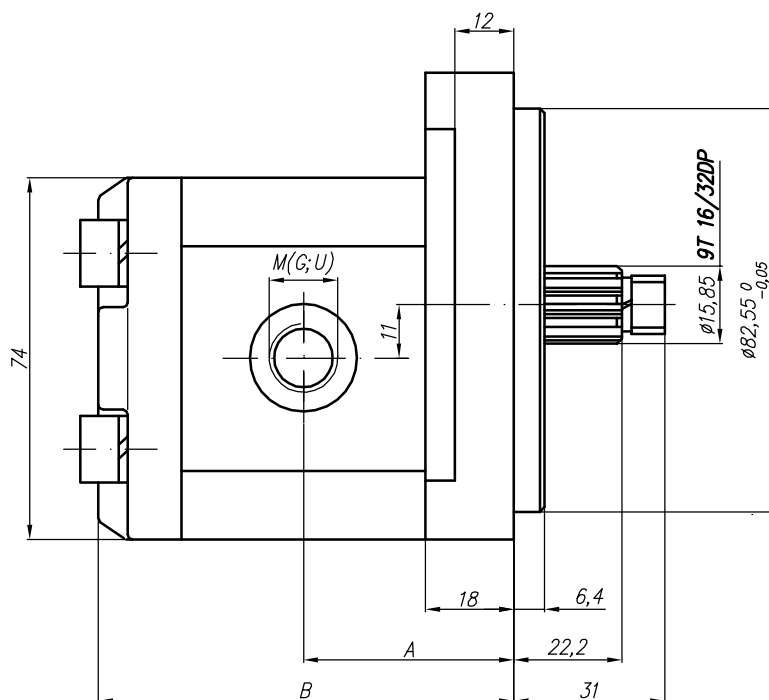
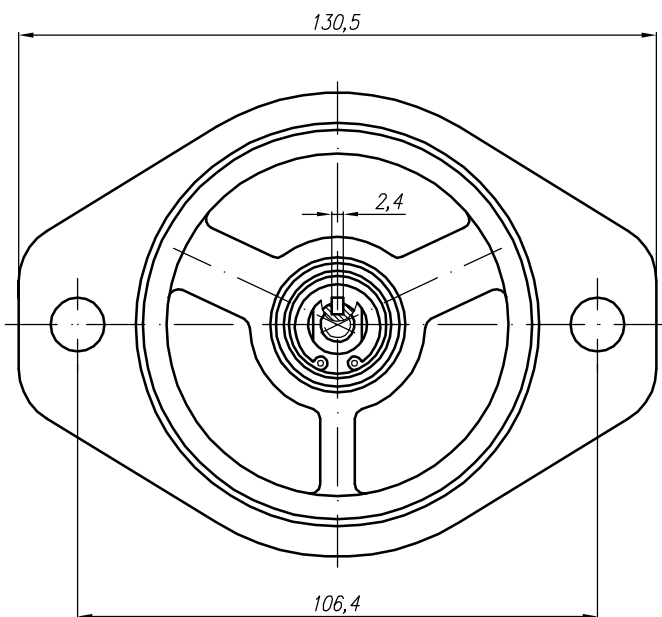


GEAR PUMP TYPE PGP 10A(C)...X502...

GROUP I

Type	Displacement cm ³ /rev	Flow		Pressure P _{nom} bar	max Speed n rpm	Dimension							
		at 1500 rpm l/min	at max rpm l/min			Inlet			Outlet				
		A mm	B mm			M	G	U	M	G	U		
10A(C)1X502	1	1,40	3,26	250	3500	39,1	81	M16x1,5	G 3/8" - A	3/4" - 16UNF - 2B	M16x1,5	G 3/8" - A	9/16" - 18UNF - 2B
10A(C)1,25X502	1,25	1,74	4,07	250	3500	39,5	82						
10A(C)1,6X502	1,6	2,23	5,21	250	3500	40,3	83,6						
10A(C)2X502	2	2,82	6,58	250	3500	41,1	85,2						
10A(C)2,5X502	2,5	3,53	8,23	250	3500	42,1	87,2						
* 10A(C)2,65X502	2,65	3,74	8,72	250	3500	42,4	87,8	M20x1,5	G 1/2" - A	3/4" - 16UNF - 2B	M16x1,5	G 3/8" - A	9/16" - 18UNF - 2B
10A(C)3,15X502	3,15	4,44	10,36	250	3500	43,5	89,8						
10A(C)3,65X502	3,65	5,15	12,01	250	3500	44,4	91,9						
10A(C)4,2X502	4,2	5,92	13,82	250	3500	45,5	94,1	M20x1,5	G 1/2" - A	3/4" - 16UNF - 2B	M16x1,5	G 3/8" - A	9/16" - 18UNF - 2B
* 10A(C)4,7X502	4,7	6,63	15,46	250	3500	46,1	97,1						
10A(C)5X502	5	7,05	14,10	250	3000	47,1	97,2						
10A(C)5,7X502	5,7	8,12	16,25	200	3000	48,5	100,1	M20x1,5	G 1/2" - A	3/4" - 16UNF - 2B	M16x1,5	G 3/8" - A	9/16" - 18UNF - 2B
10A(C)6,1X502	6,1	8,69	14,49	200	2500	49,4	101,8						

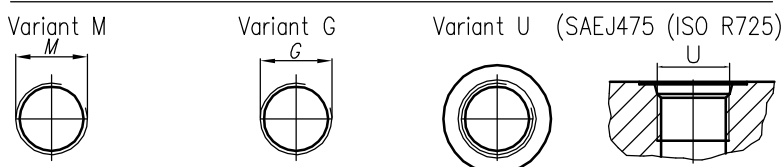
* - These pumps - only under a special order



Variants:

- ...X502M - for M ports (see the picture I and the table below);
- ...X502G - for G ports (see the picture I and the table below);
- ...X502U - for U ports (see the picture I and the table below).

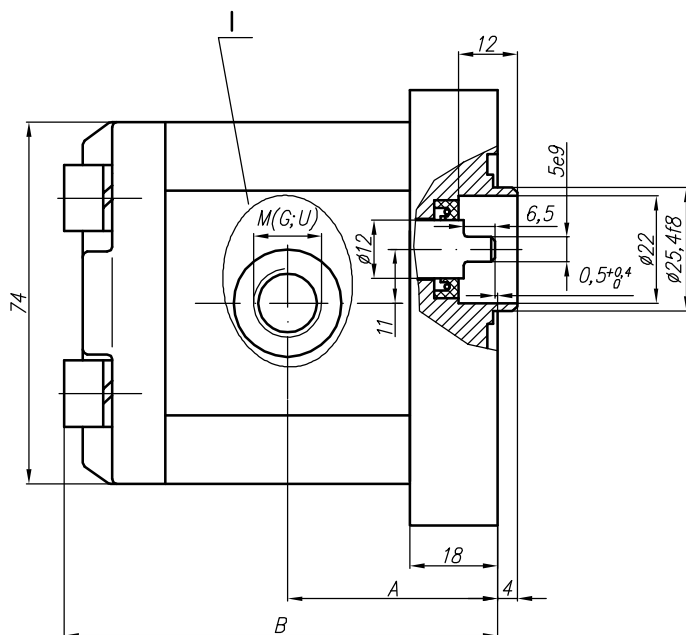
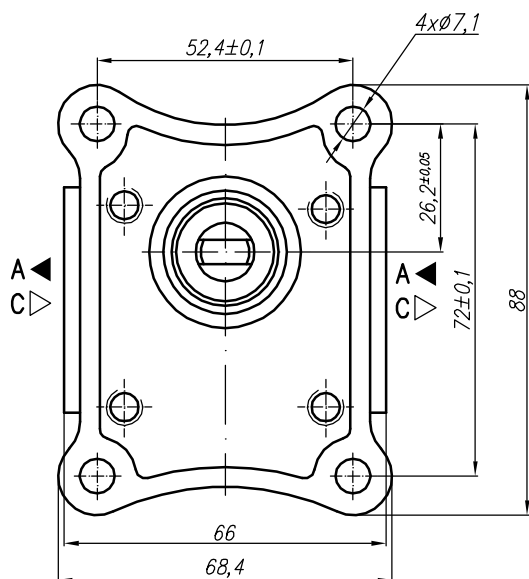
I - variants



GEAR PUMP TYPE PGP 10A(C)...X510...

Type	Displacement cm ³ /rev	Flow		Pressure P _{nom} bar	max Speed n rpm	Dimension								
		at 1500 rpm l/min	at max rpm l/min			A		B		Inlet			Outlet	
		mm	mm			M	G	U	M	G	U			
10A(C)1X510	1	1,40	3,26	250	3500	39,1	81	M16x1,5	G 3/8" - A	3/4" - 16UNF - 2B	M16x1,5	G 3/8" - A	9/16" - 18UNF - 2B	
10A(C)1,25X510	1,25	1,74	4,07	250	3500	39,5	82							
10A(C)1,6X510	1,6	2,23	5,21	250	3500	40,3	83,6							
10A(C)2X510	2	2,82	6,58	250	3500	41,1	85,2							
10A(C)2,5X510	2,5	3,53	8,23	250	3500	42,1	87,2							
* 10A(C)2,65X510	2,65	3,74	8,72	250	3500	42,4	87,8	M20x1,5	G 1/2" - A	3/4" - 16UNF - 2B	M16x1,5	G 3/8" - A	9/16" - 18UNF - 2B	
10A(C)3,15X510	3,15	4,44	10,36	250	3500	43,5	89,8							
10A(C)3,65X510	3,65	5,15	12,01	250	3500	44,4	91,9							
10A(C)4,2X510	4,2	5,92	13,82	250	3500	45,5	94,1							
* 10A(C)4,7X510	4,7	6,63	15,46	250	3500	46,1	97,1							
10A(C)5X510	5	7,05	14,10	250	3000	47,1	97,2	M22x1,5	G 1/2" - A	7/8" - 14UNF	M18x1,5	3/4" - 16UNF		
10A(C)5,7X510	5,7	8,12	16,25	200	3000	48,5	100,1							
10A(C)6,1X510	6,1	8,69	14,49	200	2500	49,4	101,8							
10A(C)7,4X510	7,4	10,55	17,58	180	2500	52,1	107,2							
* 10A(C)8X510	8	11,40	15,20	150	2000	53,4	109,7							
10A(C)8,5X510	8,5	12,11	16,15	150	2000	54,4	111,7							
10A(C)9,8X510	9,8	13,97	18,62	120	2000	57	117							

* - These pumps - only under a special order



I - variants

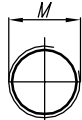
Variants:

...X510M - for M ports (see the picture I and the table below);

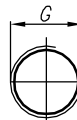
...X510G - for G ports (see the picture I and the table below);

...X510U - for U ports (see the picture I and the table below).

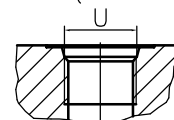
Variant M



Variant G



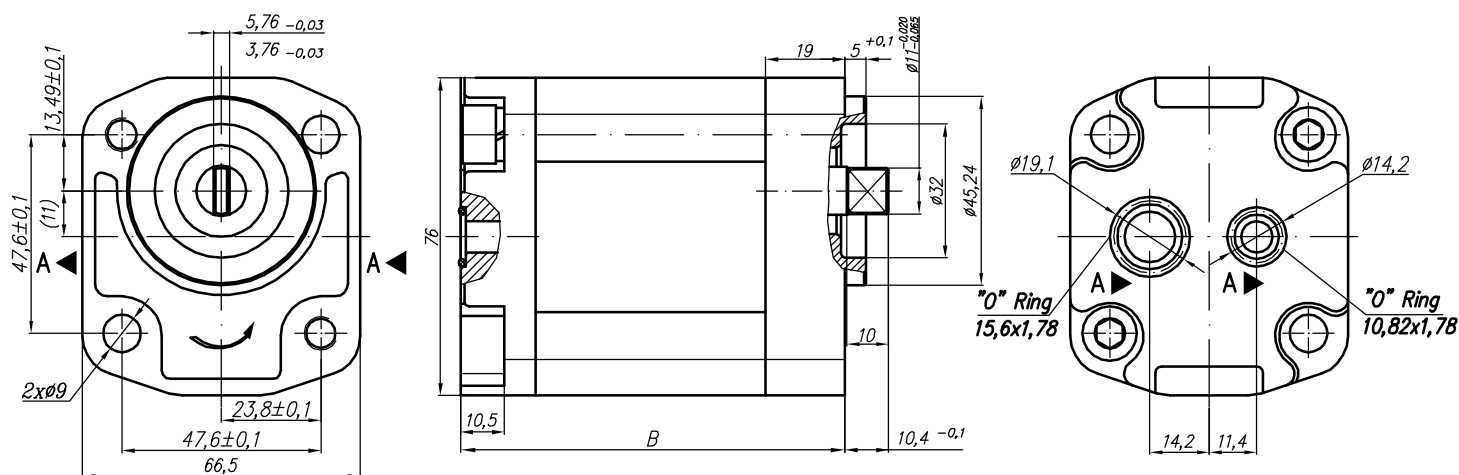
Variant U (SAEJ475 (ISO R725))



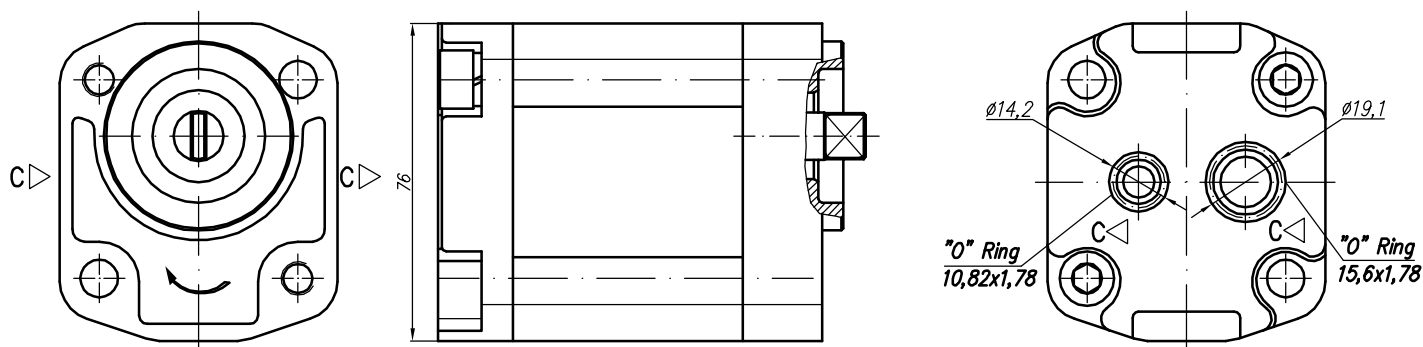
GEAR PUMP TYPE PGP 10A(C)...X531

Type	Displacement cm ³ /rev	Flow		Pressure P _{nom} bar	max Speed n rpm	Dimension								
		at 1500 rpm l/min	at max rpm l/min			A mm		B mm		Inlet		Outlet		
10A(C)1X531	1	1,40	3,26	250	3500									
10A(C)1,25X531	1,25	1,74	4,07	250	3500									
10A(C)1,6X531	1,6	2,23	5,21	250	3500									
10A(C)2X531	2	2,82	6,58	250	3500									
10A(C)2,5X531	2,5	3,53	8,23	250	3500									
10A(C)3,15X531	3,15	4,44	10,36	250	3500									
10A(C)3,65X531	3,65	5,15	12,01	250	3500									
10A(C)4,2X531	4,2	5,92	13,82	250	3500									
10A(C)5X531	5	7,05	14,10	250	3000									
10A(C)5,7X531	5,7	8,12	16,25	200	3000									
10A(C)6,1X531	6,1	8,69	14,49	200	2500									

Rotation "A" - (anticlockwise)



Rotation "C" - (clockwise)



Variants:

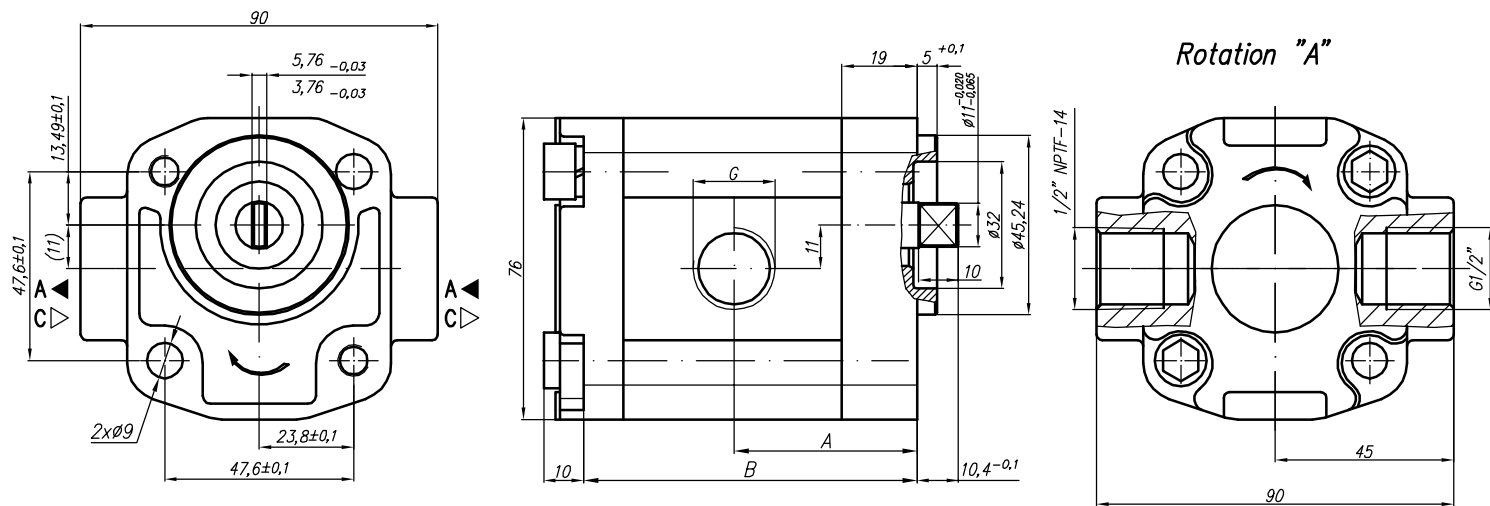
- for drive shaft 3,76 - ...531-3

GEAR PUMP TYPE PGP 10A(C)...X551

GROUP I

Type	Displacement cm ³ /rev	Flow		Pressure P _{nom} bar	max Speed n rpm	Dimension												
		at 1500 rpm l/min	at max rpm l/min			Inlet		Outlet		A mm	B mm	M	G	U	M	G	U	
10A(C)1X551	1	1,40	3,26	250	3500	40,1	69,1											
10A(C)1,25X551	1,25	1,74	4,07	250	3500	40,6	70,1											
10A(C)1,6X551	1,6	2,23	5,21	250	3500	41,3	71,5											
10A(C)2X551	2	2,82	6,58	250	3500	42,1	73,2											
10A(C)2,5X551	2,5	3,53	8,23	250	3500	43,1	75,2											
* 10A(C)2,65X551	2,65	3,74	8,72	250	3500	43,4	75,8											
10A(C)3,15X551	3,15	4,44	10,36	250	3500	44,5	77,8											
10A(C)3,65X551	3,65	5,15	12,01	250	3500	45,4	79,8											
10A(C)4,2X551	4,2	5,92	13,82	250	3500	46,5	82,0											
* 10A(C)4,7X551	4,7	6,63	15,46	250	3500	47,5	84,1											
10A(C)5X551	5	7,05	14,10	250	3000	48,1	85,2											
10A(C)5,7X551	5,7	8,12	16,25	200	3000	49,5	88,0											
10A(C)6,1X551	6,1	8,69	14,49	200	2500	50,4	89,8											
10A(C)7,4X551	7,4	10,55	17,58	180	2500	53,1	95,3											
* 10A(C)8X551	8	11,40	15,20	150	2000	54,4	97,7											
10A(C)8,5X551	8,5	12,11	16,15	150	2000	55,4	99,8											
10A(C)9,8X551	9,8	13,97	18,62	120	2000	58,0	105,0											

* - These pumps - only under a special order



Variants:

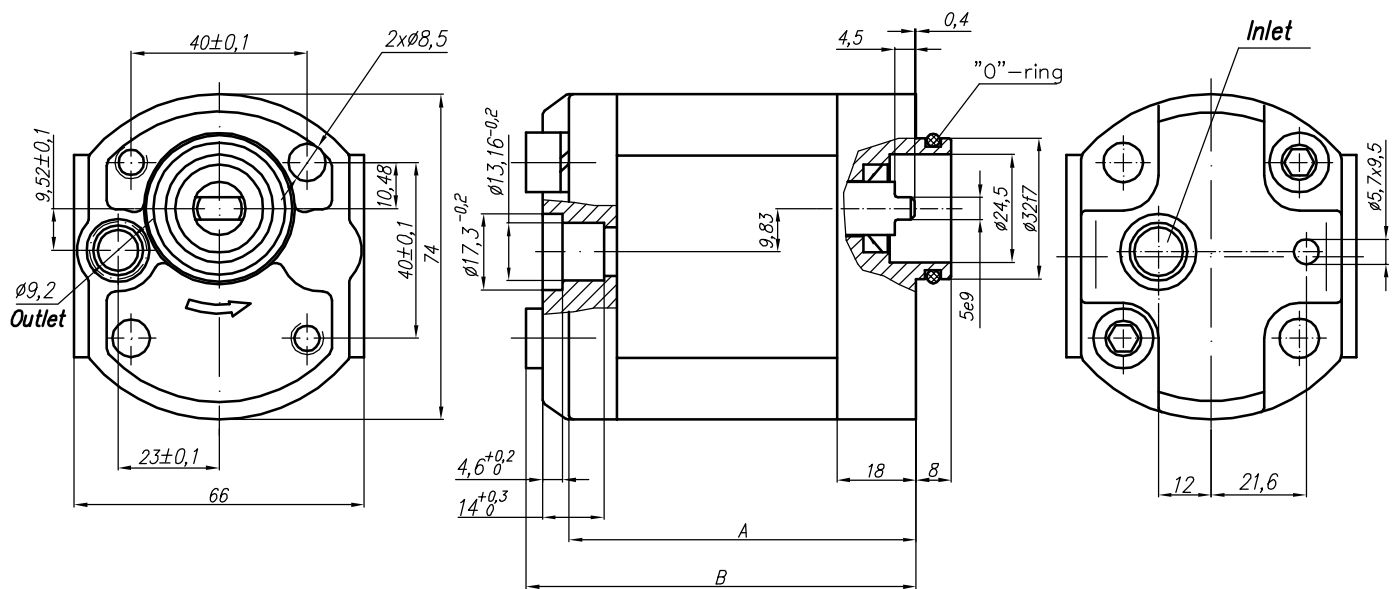
- for drive shaft 3,76 - ...551-3

GEAR PUMP TYPE PGP 10A...X552

Type	Displacement cm ³ /rev	Flow		Pressure P _{nom} bar	max Speed n rpm	Dimension							
		at 1500 rpm l/min	at max rpm l/min			A mm		B mm		Inlet		Outlet	
10A1X552	1	1,40	3,26	250	3500	71	81						
10A1,25X552	1,25	1,74	4,07	250	3500	72	82						
10A1,6X552	1,6	2,23	5,21	250	3500	73,6	83,6						
10A2X552	2	2,82	6,58	250	3500	75,2	85,2						
10A2,5X552	2,5	3,53	8,23	250	3500	77,2	87,2						
* 10A2,65X552	2,65	3,74	8,72	250	3500	77,8	87,8						
10A3,15X552	3,15	4,44	10,36	250	3500	79,8	89,8						
10A3,65X552	3,65	5,15	12,01	250	3500	81,9	91,9						
10A4,2X552	4,2	5,92	13,82	250	3500	84,1	94,1					∅9,2	
* 10A4,7X552	4,7	6,63	15,46	250	3500	87,1	97,1						
10A5X552	5	7,05	14,10	250	3000	87,2	97,2						
10A5,7X552	5,7	8,12	16,25	200	3000	90,1	100,1						
10A6,1X552	6,1	8,69	14,49	200	2500	91,8	101,8						
10A7,4X552	7,4	10,55	17,58	180	2500	97,2	107,2						
* 10A8X552	8	11,40	15,20	150	2000	99,7	109,7						
10A8,5X552	8,5	12,11	16,15	150	2000	101,7	111,7						
10A9,8X552	9,8	13,97	18,62	120	2000	107	117						

* - These pumps - only under a special order

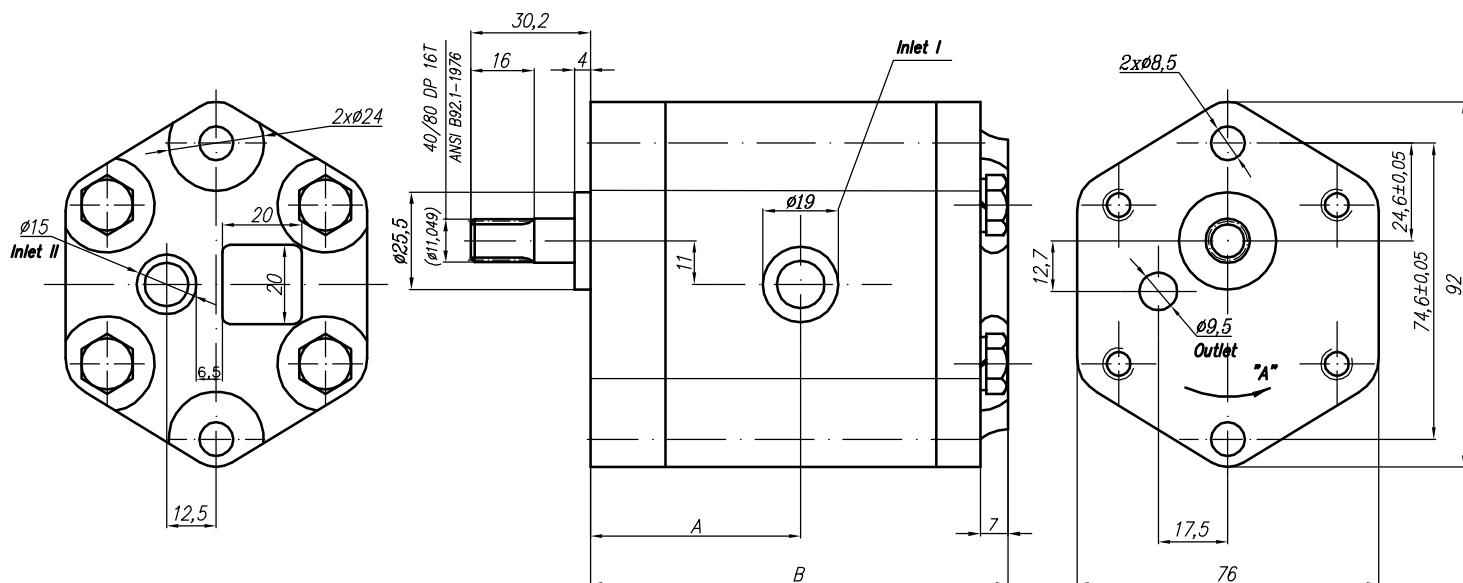
Rotation "A" - (anticlockwise)



GEAR PUMP TYPE PGP 10A(C)...X571

Type	Displacement cm ³ /rev	Flow		Pressure P _{nom} bar	max Speed n rpm	Dimension						
		at 1500 rpm l/min	at max rpm l/min			A mm	B mm	Inlet		Outlet		
10A(C)1X571	1	1,40	3,26	250	3500	40,1	79,1	ø19	ø15			
10A(C)1,25X571	1,25	1,74	4,07	250	3500	40,6	80,1					
10A(C)1,6X571	1,6	2,23	5,21	250	3500	41,3	81,5					
10A(C)2X571	2	2,82	6,58	250	3500	42,1	83,2					
10A(C)2,5X571	2,5	3,53	8,23	250	3500	43,1	85,2					
* 10A(C)2,65X571	2,65	3,74	8,72	250	3500	43,4	85,8					
10A(C)3,15X571	3,15	4,44	10,36	250	3500	44,5	87,8					
10A(C)3,65X571	3,65	5,15	12,01	250	3500	45,4	89,8					
10A(C)4,2X571	4,2	5,92	13,82	250	3500	46,2	92					
* 10A(C)4,7X571	4,7	6,63	15,46	250	3500	47,5	94,1					
10A(C)5X571	5	7,05	14,10	250	3000	48,1	95,2					
10A(C)5,7X571	5,7	8,12	16,25	200	3000	49,5	98					
10A(C)6,1X571	6,1	8,69	14,49	200	2500	50,3	99,8					
10A(C)7,4X571	7,4	10,55	17,58	180	2500	53,1	105,2					
* 10A(C)8X571	8	11,40	15,20	150	2000	54,4	107,7					
10A(C)8,5X571	8,5	12,11	16,15	150	2000	55,4	109,8					
10A(C)9,8X571	9,8	13,97	18,62	120	2000	58	115					

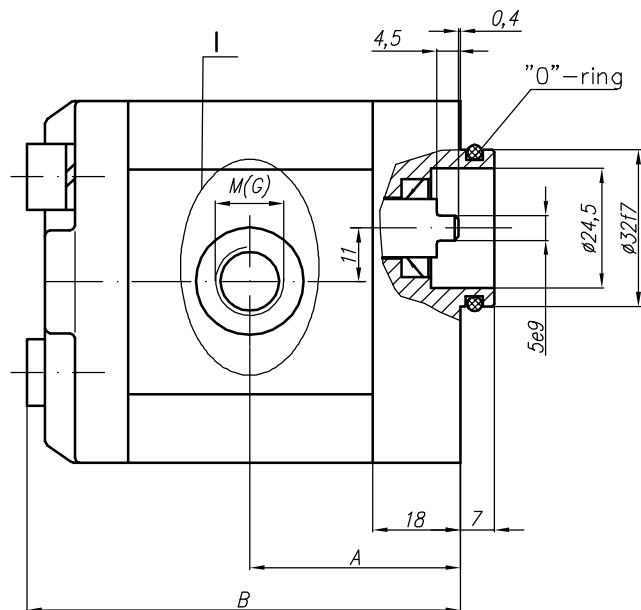
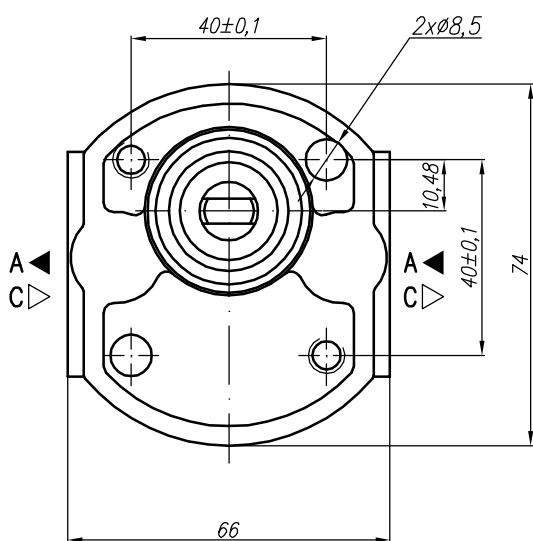
* - These pumps - only under a special order



GEAR PUMP TYPE PGP 10A(C)...X575...

Type	Displacement cm ³ /rev	Flow		Pressure P _{nom} bar	max Speed n rpm	Dimension							
		at 1500 rpm l/min	at max rpm l/min			Inlet		Outlet					
						A mm	B mm	M	G	U	M	G	U
10A(C)1X575	1	1,40	3,26	250	3500	39,1	81	M16x1,5	G 3/8" - A	3/4" - 16UNF - 2B	M16x1,5	G 3/8" - A	9/16" - 18UNF - 2B
10A(C)1,25X575	1,25	1,74	4,07	250	3500	39,5	82						
10A(C)1,6X575	1,6	2,23	5,21	250	3500	40,3	83,6						
10A(C)2X575	2	2,82	6,58	250	3500	41,1	85,2						
10A(C)2,5X575	2,5	3,53	8,23	250	3500	42,1	87,2						
* 10A(C)2,65X575	2,65	3,74	8,72	250	3500	42,4	87,8	M20x1,5	G 1/2" - A	3/4" - 16UNF - 2B	M16x1,5	G 3/8" - A	9/16" - 18UNF - 2B
10A(C)3,15X575	3,15	4,44	10,36	250	3500	43,5	89,8						
10A(C)3,65X575	3,65	5,15	12,01	250	3500	44,4	91,9						
10A(C)4,2X575	4,2	5,92	13,82	250	3500	45,5	94,1						
* 10A(C)4,7X575	4,7	6,63	15,46	250	3500	46,1	96						
10A(C)5X575	5	7,05	14,10	250	3000	47,1	97,2	M22x1,5	G 1/2" - A	7/8" - 14UNF	M18x1,5	G 3/8" - A	3/4" - 16UNF
10A(C)5,7X575	5,7	8,12	16,25	200	3000	48,5	100,1						
10A(C)6,1X575	6,1	8,69	14,49	200	2500	49,4	101,8						
10A(C)7,4X575	7,4	10,55	17,58	180	2500	52,1	107,2						
10A(C)8X575	8	11,40	15,20	150	2000	53,4	109,7						
10A(C)8,5X575	8,5	12,11	16,15	150	2000	54,4	111,7	M22x1,5	G 1/2" - A	7/8" - 14UNF	M18x1,5	G 3/8" - A	3/4" - 16UNF
10A(C)9,8X575	9,8	13,97	18,62	120	2000	57	117						

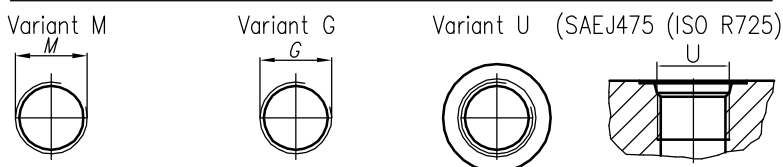
* - These pumps - only under a special order



Variants:

- ...X575M - for M ports (see the picture I and the table below);
- ...X575G - for G ports (see the picture I and the table below);
- ...X575U - for U ports (see the picture I and the table below).

I - variants

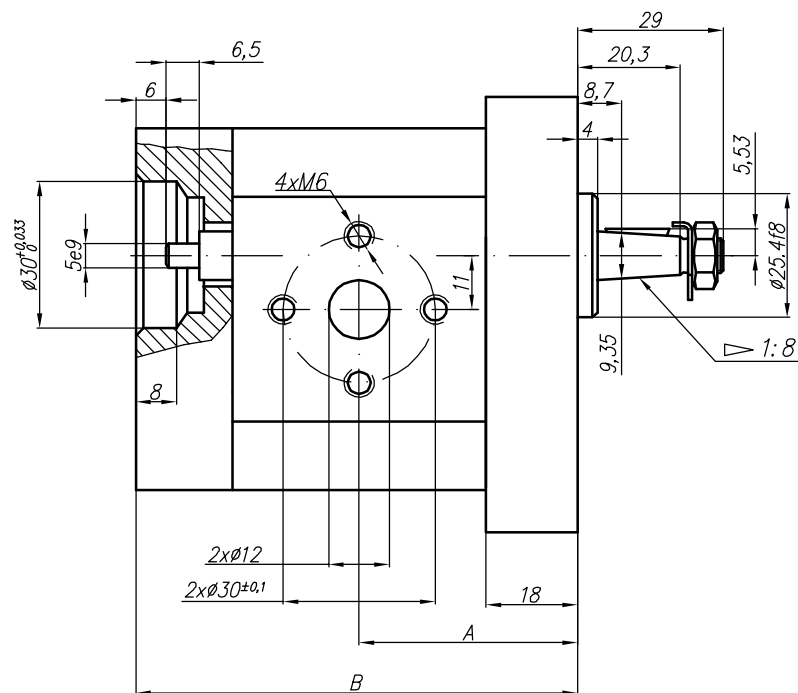
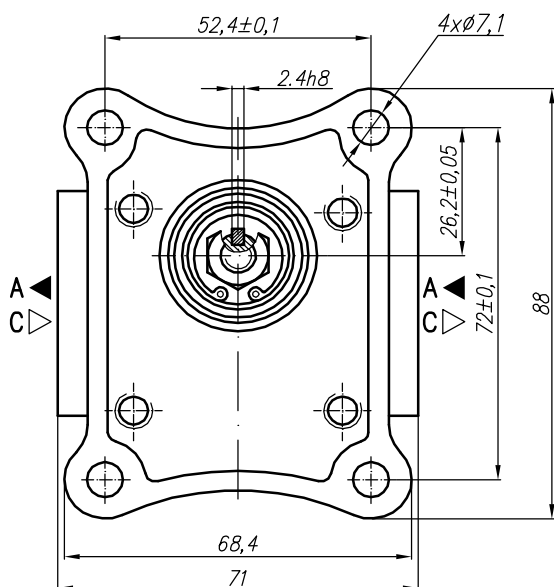


GEAR PUMP TYPE PGP 10A(C)...X576

Type	Displacement cm ³ /rev	Flow		Pressure P _{nom} bar	max Speed n rpm	Dimension							
		at 1500 rpm l/min	at max rpm l/min			Inlet		Outlet		A mm	B mm	E mm	F mm
10A(C)1X576	1	1,40	3,26	250	3500	39,1	79,1	∅30	∅12	M6	∅30	∅12	M6
10A(C)1,25X576	1,25	1,74	4,07	250	3500	39,5	80,1						
10A(C)1,6X576	1,6	2,23	5,21	250	3500	40,3	81,5						
10A(C)2X576	2	2,82	6,58	250	3500	41,1	83,2						
10A(C)2,5X576	2,5	3,53	8,23	250	3500	42,1	85,2						
* 10A(C)2,65X576	2,65	3,74	8,72	250	3500	42,4	85,8						
10A(C)3,15X576	3,15	4,44	10,36	250	3500	43,5	87,8						
10A(C)3,65X576	3,65	5,15	12,01	250	3500	44,4	89,8						
10A(C)4,2X576	4,2	5,92	13,82	250	3500	45,5	92						
* 10A(C)4,7X576	4,7	6,63	15,46	250	3500	46,1	94,1						
10A(C)5X576	5	7,05	16,45	250	3500	47,1	95,2						
10A(C)5,7X576	5,7	8,12	16,25	200	3000	48,5	98						
10A(C)6,1X576	6,1	8,69	14,49	180	2500	49,4	99,8						
10A(C)7,4X576	7,4	10,55	17,58	180	2500	52,1	105,2						
* 10A(C)8X576	8	11,40	15,20	150	2000	53,4	107,7						
10A(C)8,5X576	8,5	12,11	16,15	150	2000	54,4	109,8						
10A(C)9,8X576	9,8	13,97	18,62	120	2000	57	115						

* - These pumps - only under a special order

The pump 10A(C)...X576 is a first section of multiple pump Gr.11.

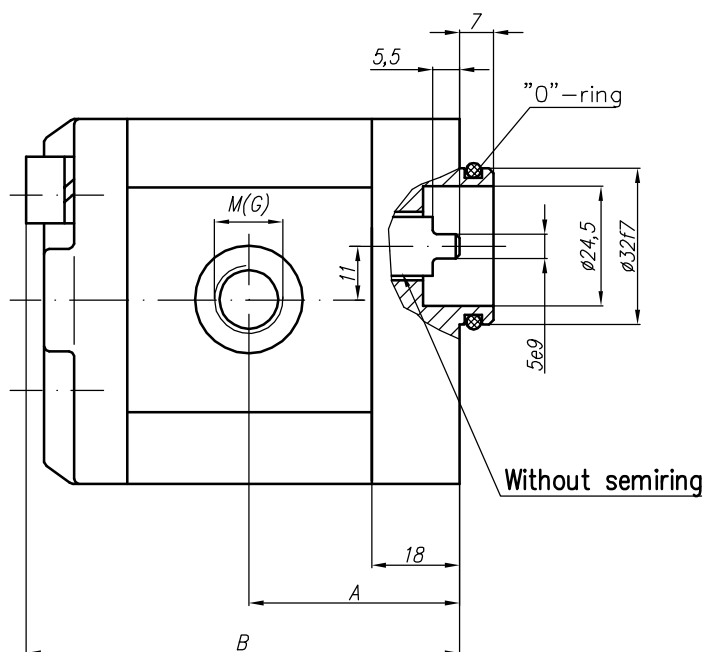
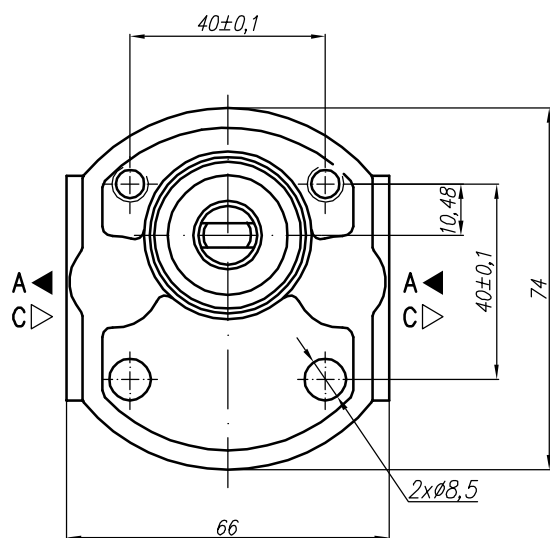


GEAR PUMP TYPE PGP 10A(C)...X579...

Type	Displacement cm ³ /rev	Flow		Pressure P _{nom} bar	max Speed n rpm	Dimension							
		at 1500 rpm l/min	at max rpm l/min			Inlet			Outlet				
						A mm	B mm	M	G	U	M	G	U
10A(C)1X579	1	1,40	3,26	250	3500	39,1	81	M18x1,5	G 3/8" - A				
10A(C)1,25X579	1,25	1,74	4,07	250	3500	39,5	82						
10A(C)1,6X579	1,6	2,23	5,21	250	3500	40,3	83,6						
10A(C)2X579	2	2,82	6,58	250	3500	41,1	85,2						
10A(C)2,5X579	2,5	3,53	8,23	250	3500	42,1	87,2						
* 10A(C)2,65X579	2,65	3,74	8,72	250	3500	42,4	87,8						
10A(C)3,15X579	3,15	4,44	10,36	250	3500	43,5	89,8						
10A(C)3,65X579	3,65	5,15	12,01	250	3500	44,4	91,9						
10A(C)4,2X579	4,2	5,92	13,82	250	3500	45,5	94,1						
* 10A(C)4,7X579	4,7	6,63	15,46	250	3500	46,1	96						
10A(C)5X579	5	7,05	14,10	250	3000	47,1	97,2	G 1/2" - A					
10A(C)5,7X579	5,7	8,12	16,25	200	3000	48,5	100,1						
10A(C)6,1X579	6,1	8,69	14,49	200	2500	49,4	101,8						
10A(C)7,4X579	7,4	10,55	17,58	180	2500	52,1	107,2						
* 10A(C)8X579	8	11,40	15,20	150	2000	53,4	109,7						
10A(C)8,5X579	8,5	12,11	16,15	150	2000	54,4	111,7	M22x1,5					
10A(C)9,8X579	9,8	13,97	18,62	120	2000	57	117						

* - These pumps - only under a special order

The pump 10A(C)...X579 is a second section of multiple pump Gr.21.



Variants:

...X579M - for M ports (see the table);

...X579G - for G ports (see the table).

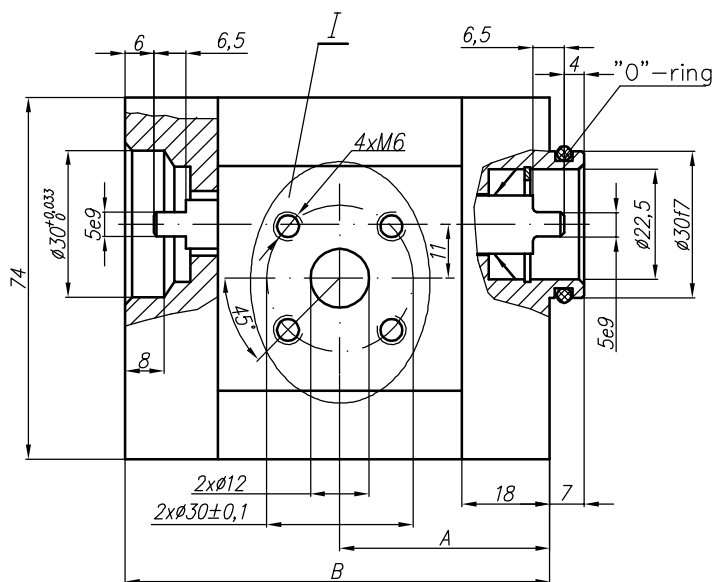
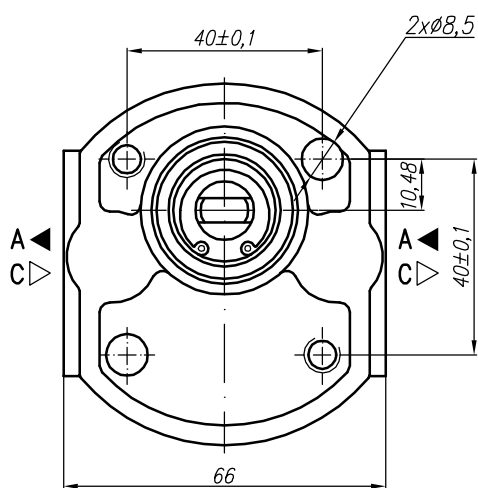
GEAR PUMP TYPE PGP 10A(C)...X594...

GROUP I

Type	Displacement cm ³ /rev	Flow		Pressure P _{nom} bar	max Speed n rpm	Dimension							
		at 1500 rpm l/min	at max rpm l/min			Inlet		Outlet					
						A mm	B mm	M	G	U	M	G	U
10A(C)1X594	1	1,40	3,26	250	3500	39,1	79	M16x1,5	G 3/8" - A	3/4" - 16UNF - 2B	M16x1,5	G 3/8" - A	9/16" - 18UNF - 2B
10A(C)1,25X594	1,25	1,74	4,07	250	3500	39,5	80						
10A(C)1,6X594	1,6	2,23	5,21	250	3500	40,3	81,6						
10A(C)2X594	2	2,82	6,58	250	3500	41,1	83,2						
10A(C)2,5X594	2,5	3,53	8,23	250	3500	42,1	85,2						
* 10A(C)2,65X594	2,65	3,74	8,72	250	3500	42,4	85,8	M20x1,5	G 1/2" - A	3/4" - 16UNF - 2B	M16x1,5	G 3/8" - A	9/16" - 18UNF - 2B
10A(C)3,15X594	3,15	4,44	10,36	250	3500	43,5	87,8						
10A(C)3,65X594	3,65	5,15	12,01	250	3500	44,4	89,9						
10A(C)4,2X594	4,2	5,92	13,82	250	3500	45,5	92,1						
* 10A(C)4,7X594	4,7	6,63	15,46	250	3500	46,1	94						
10A(C)5X594	5	7,05	14,10	250	3000	47,1	95,2	M22x1,5	G 1/2" - A	7/8" - 14UNF	M18x1,5	3/4" - 16UNF	
10A(C)5,7X594	5,7	8,12	16,25	200	3000	48,5	98,1						
10A(C)6,1X594	6,1	8,69	14,49	200	2500	49,4	99,8						
10A(C)7,4X594	7,4	10,55	17,58	180	2500	52,1	105,2						
* 10A(C)8X594	8	11,40	15,20	150	2000	53,4	107,7						
10A(C)8,5X594	8,5	12,11	16,15	150	2000	54,4	109,7						
10A(C)9,8X594	9,8	13,97	18,62	120	2000	57	115						

* - These pumps - only under a special order

The pump 10A(C)...X594 is a middle section of a multiple pump gr. 111.

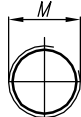


I - variants

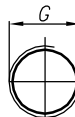
Variants:

- ...X594 - Normal version (flange);
- ...X594M - for M ports (see the picture I and the table below);
- ...X594G - for G ports (see the picture I and the table below);
- ...X594U - for U ports (see the picture I and the table below).

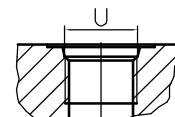
Variant M



Variant G



Variant U (SAEJ475 (ISO R725))



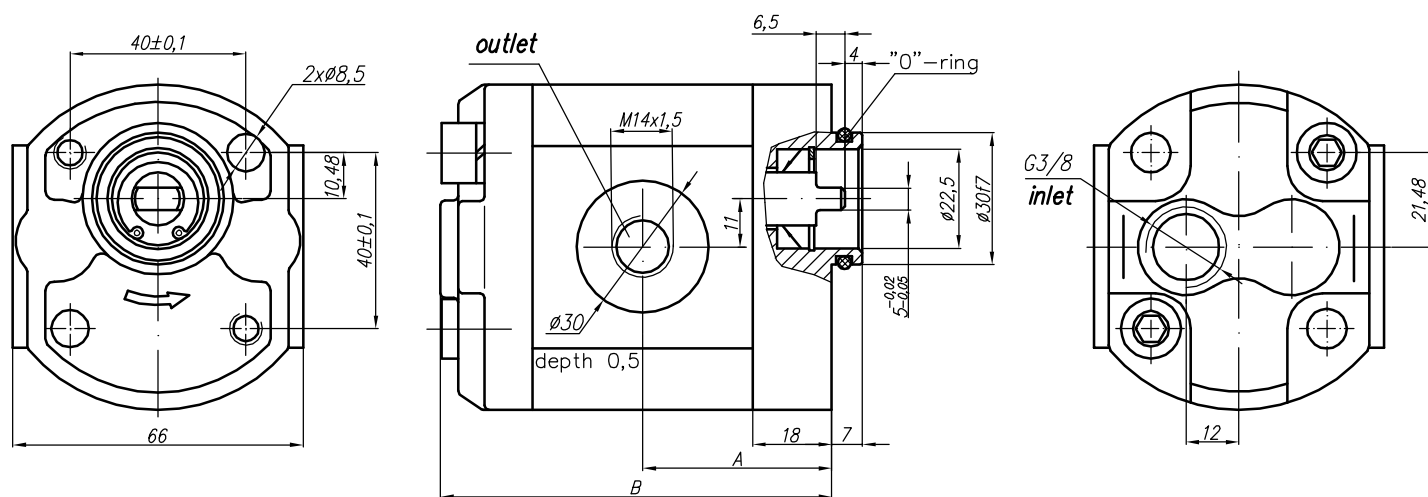
GEAR PUMP TYPE PGP 10A(C)...X649

GROUP I

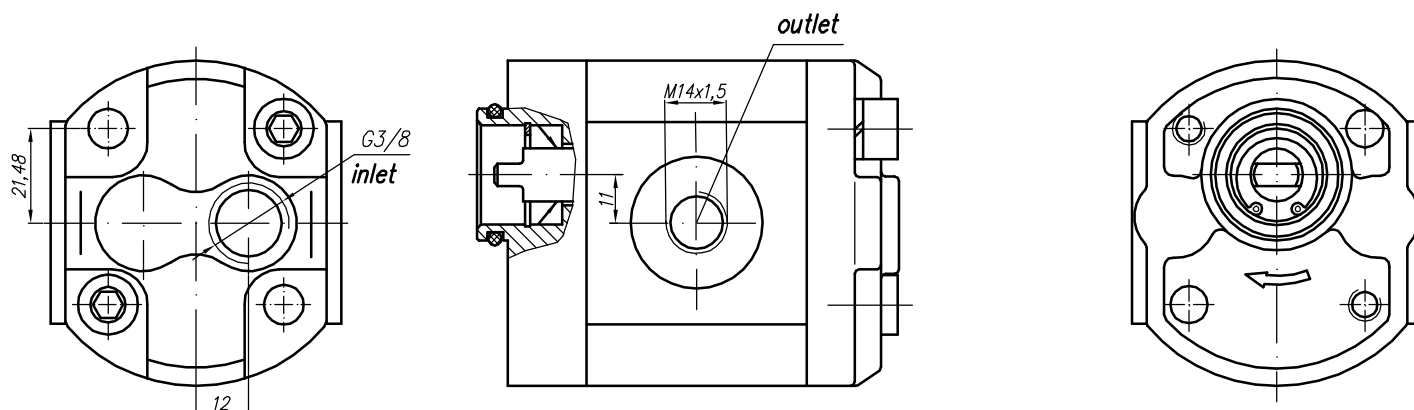
Type	Displacement cm ³ /rev	Flow		Pressure P _{nom} bar	max Speed n rpm	Dimension							
		at 1500 rpm l/min	at max rpm l/min			Inlet			Outlet				
						A mm	B mm	M	G	U	M	G	U
10A(C)1X649	1	1,40	3,26	250	3500	39,1	81	G 3/8" - A			M14x1,5		
10A(C)1,25X649	1,25	1,74	4,07	250	3500	39,5	82						
10A(C)1,6X649	1,6	2,23	5,21	250	3500	40,3	83,6						
10A(C)2X649	2	2,82	6,58	250	3500	41,1	85,2						
10A(C)2,5X649	2,5	3,53	8,23	250	3500	42,1	87,2						
* 10A(C)2,65X649	2,65	3,74	8,72	250	3500	42,4	87,8						
10A(C)3,15X649	3,15	4,44	10,36	250	3500	43,5	89,8						
10A(C)3,65X649	3,65	5,15	12,01	250	3500	44,4	91,9						
10A(C)4,2X649	4,2	5,92	13,82	250	3500	45,5	94,1						
* 10A(C)4,7X649	4,7	6,63	15,46	250	3500	46,1	96						
10A(C)5X649	5	7,05	16,45	250	3500	47,1	97,2						
10A(C)5,7X649	5,7	8,12	16,25	200	3000	48,5	100,1						
10A(C)6,1X649	6,1	8,69	14,49	180	2500	49,4	101,8						
10A(C)7,4X649	7,4	10,55	17,58	180	2500	52,1	107,2						
* 10A(C)8X649	8	11,40	15,20	150	2000	53,4	109,7						
10A(C)8,5X649	8,5	12,11	16,15	150	2000	54,4	111,7						
10A(C)9,8X649	9,8	13,97	18,62	120	2000	57	117						

* - These pumps - only under a special order

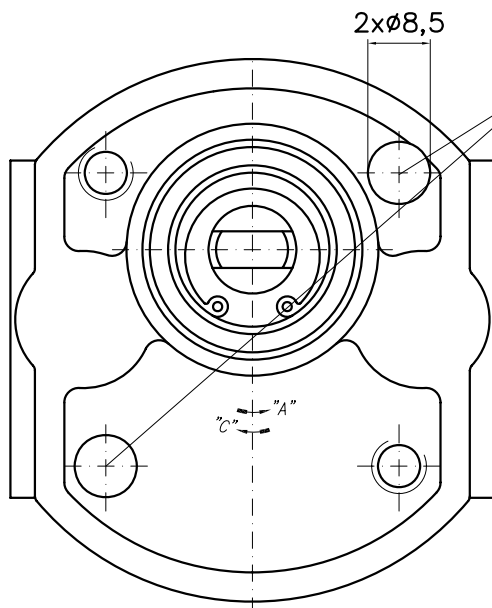
Rotation "A" - (anticlockwise)



Rotation "A" - (clockwise)



MOUNTING TORQUE



To mount the pump use two screws
M8xL/10.9 (8.8 black)
Torque 25^{+5} Nm

For Pumps types:				
X001	X027	X054	X131	X135
X142	X175	X179	X182	X230
X231	X238	X244	X254	X255
X278	X302	X303	X330	X340
X343	X348	X375	X394	X400
X417	X442	X445	X465	X475
X479	X485	X488	X489	X531
X551	X552	X571	X574	X575
X579	X594	X649	X682	X686

And etc.